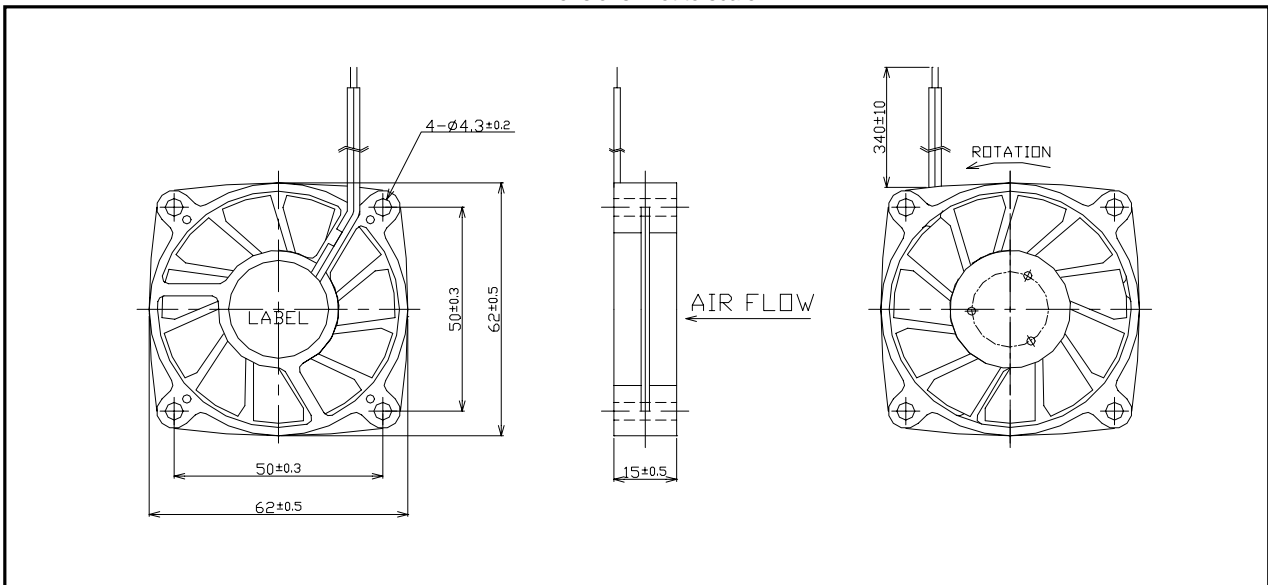


F6215AP TYPE

1ボール1スリーブ
(60x60x15mm)

Dimensions: Not to scale



Specifications

機種名 (Model)	F6215AP-05HCW F6215AP-12HCW F6215AP-12LCW F6215AP-12MCW F6215AP-24MCW				
定格電圧 (DCV) Rated voltage	5	12	12	12	24
使用電圧範囲 (DCV) Operating voltage range	4.5~5.5	10.2~13.8	10.2~13.8	10.2~13.8	20.4~27.6
定格電流 (A) Rated current	0.15	0.07	0.1	0.2	0.1
定格入力 (W) Rated input	0.75	0.84	1.2	2.4	2.4
最大風量 (m ³ /min) Max Air Volume	0.2	0.2	0.28	0.3	0.3
最大静圧 (Pa) Max Static Pressure	5.88	7.9	14.7	17.6	17.6
A特性音圧レベル (dB) Noise Lv at 1m (A-weighted)	28	25	28	30	30
回転速度 (min ⁻¹) Rotation frequency	2,200	2,300	3,300	3,700	3,700
期待寿命 (h) Life expectancy	50,000 Room temp-humidity				

使用温度範囲(Operating temp. range) :

-5~+60°C(5V), -10 ~ +60°C(12V, 24V) ★★

保存温度範囲(Strage temp. range) :

-40 ~ +70 ★★

リード線(Lead Wire) :

UL2468 AWG26: {Red(+), Green(-)}, {12V: Red(+), Black(-)}, {24V: Red(+), Blue(-)}

重量(Weight):

42g

絶縁抵抗(Insulation resist.) :

Min 10M Ω at DC500V (Between frame and leadwire)

耐電圧(Voltage withstand):

5mA (AC500V 1minute or AC600V 1 second, between frame and leadwire)

★In room temperature and humidity ★★In room humidity Room temp.=20±15°C, Room humidity=65±20%

0203

Specifications subject to change without notice. Copyright ©2002 Shicoh Engineering Co., Ltd.

<http://www.shicoh.com>

