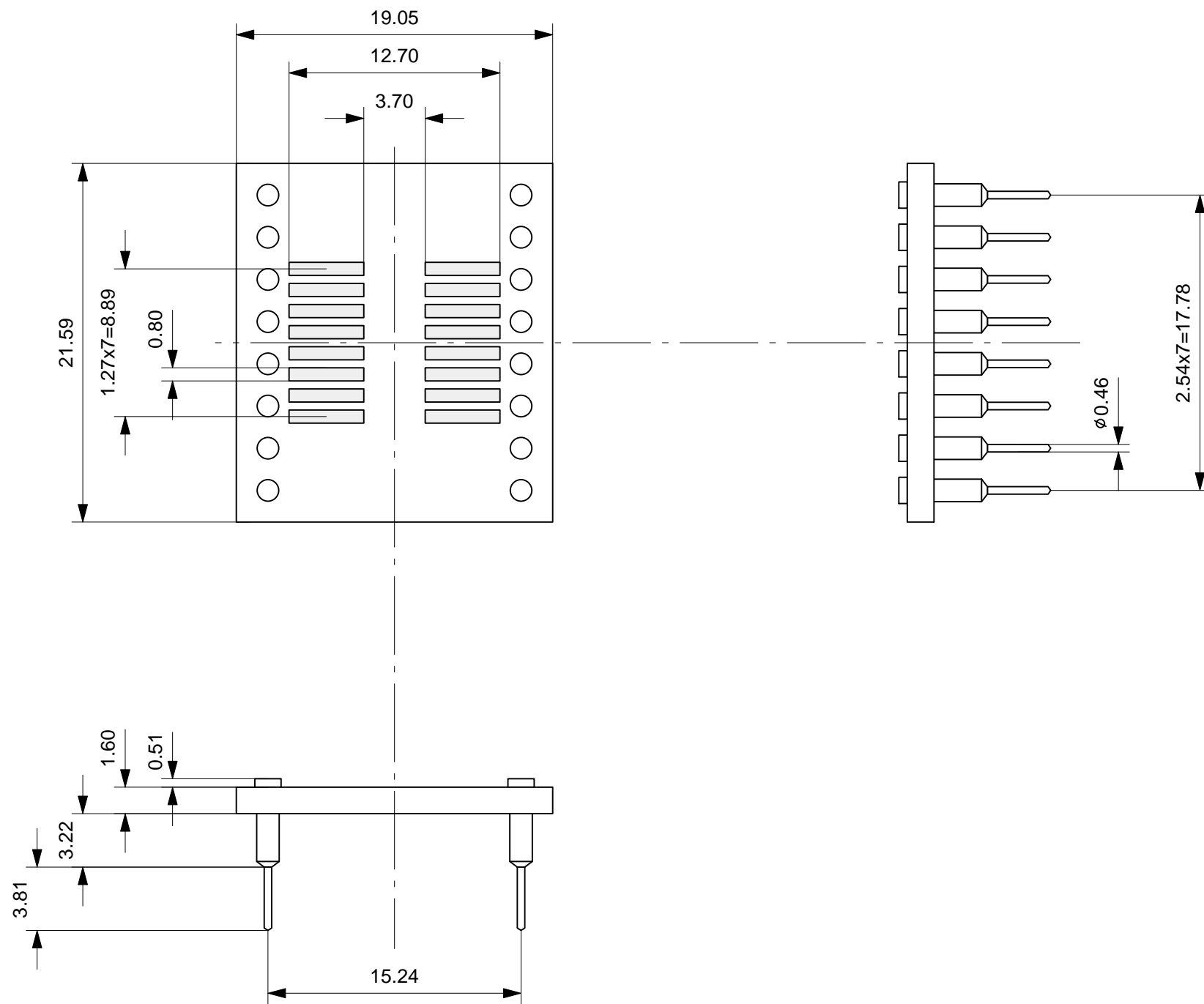



MODEL NUMBER

16P-SOD



NOTES:

All specifications are to latest revision, unless otherwise noted.
Specifications are subject to change without notice.

		DRAWING NO.	CP-62161	REV.		DRAFTER	Y.KOBA
		DATE	2000. 2.19	CHECKER		APPROVAL	
DIMENSION	mm						
SCALE	3:1	TOLERANCES		± 0.3			