

# MAX481E/MAX483E/MAX485E/ MAX487E-MAX491E/MAX1487E ±15kVのESD保護、スルーレート制限 ローパワーRS-485/RS-422トランシーバ

## 概要

MAX481E、MAX483E、MAX485E、MAX487E～MAX491E及びMAX1487Eは、過酷な環境でのRS-485及びRS-422通信用のローパワートランシーバです。各ドライバ出力とレシーバ入力はラッチアップせずに±15kVの静電放電(ESD)ショックに耐えます。各製品ともドライバとレシーバを1個ずつ備えています。MAX483E、MAX487E、MAX488E及びMAX489Eのドライバはスルーレートが制限されているため、EMIを最小限に抑えることができ、ケーブル終端が適切に行われていない場合に起こる反射も抑えることが可能です。このため、250kbpsまでのデータレートでエラーの無いデータ転送が可能です。MAX481E、MAX485E、MAX490E、MAX491E及びMAX1487Eのドライバはスルーレート制限がされていないため、2.5Mbpsまでのデータレートで転送できます。

これらのトランシーバの消費電流は、無負荷状態あるいはドライバをディセーブルして負荷状態にした場合、僅か120µAです(「選択ガイド」を参照)。MAX481E、MAX483E及びMAX487Eはシャットダウンモードにすることができ、そのときの消費電流は僅か0.1µAです。全製品とも+5V単一電源で動作します。

ドライバは短絡電流制限がなされており、また、サーマルシャットダウン回路を備えているため、ドライバ出力をハイインピーダンスにすることで過度の消費電力を防ぎます。レシーバ入力は、入力がオープン回路の場合にロジックハイ出力を保証するフェイルセーフ機能を備えています。

MAX487E及びMAX1487Eはレシーバの入力インピーダンスが1/4ユニット負荷であるため、最大128個のトランシーバをバスに接続することができます。MAX488E～MAX491Eはフルデュプレックス通信用、MAX481E、MAX483E、MAX485E、MAX487E及びMAX1487Eはハーフデュプレックス通信用に設計されています。環境がそれほど過酷でない場合には、ピン配置及び機能がコンパクトなMAX481、MAX483、MAX485、MAX487～MAX491及びMAX1487をご使用ください。

## アプリケーション

- ローパワーRS-485トランシーバ
- ローパワーRS-422トランシーバ
- レベルトランスレータ
- 耐EMIアプリケーション用トランシーバ
- 工業制御用ローカルエリアネットワーク

## 次世代デバイスの特長

- ◆ フォルトトレラントアプリケーション用：
  - MAX3430：±80Vフォルト保護、フェイルセーフ、1/4ユニット負荷、+3.3V、RS-485トランシーバ
  - MAX3080～MAX3089：フェイルセーフ、高速(10Mbps)、スルーレート制限、RS-485/RS-422トランシーバ
- ◆ スペースに制限のあるアプリケーション用：
  - MAX3460～MAX3464：+5V、フェイルセーフ、20Mbps、Profibus、RS-485/RS-422トランシーバ
  - MAX3362：;3.3V、高速、RS-485/RS-422トランシーバ、SOT23パッケージ
  - MAX3280E～MAX3284E：±15kV ESD保護、52Mbps、;3V～+5.5V、SOT23、RS-485/RS-422真のフェイルセーフレシーバ
  - MAX3030E～MAX3033E：±15kV ESD保護、+3.3V、クワッドRS-422トランスミッタ
- ◆ 多機能トランシーバアプリケーション用：
  - MAX3293/MAX3294/MAX3295：20Mbps、+3.3V、SOT23、RS-485/RS-422トランスミッタ
- ◆ フェイルセーフアプリケーション用：
  - MAX3440E～MAX3444E：±15kV ESD保護、±60Vフォルト保護、10MbpsフェイルセーフRS-485/J1708トランシーバ
- ◆ 低電圧アプリケーション用：
  - MAX3483E/MAX3485E/MAX3486E/MAX3488E/MAX3490E/MAX3491E：+3.3V駆動、±15kV ESD保護、12Mbps、スルーレート制限、真のRS-485/RS-422トランシーバ

## 型番

| PART       | TEMP RANGE     | PIN-PACKAGE   |
|------------|----------------|---------------|
| MAX481ECPA | 0°C to +70°C   | 8 Plastic DIP |
| MAX481ECSA | 0°C to +70°C   | 8 SO          |
| MAX481ECPA | -40°C to +85°C | 8 Plastic DIP |
| MAX481EESA | -40°C to +85°C | 8 SO          |
| MAX483ECPA | 0°C to +70°C   | 8 Plastic DIP |
| MAX483ECSA | 0°C to +70°C   | 8 SO          |
| MAX483ECPA | -40°C to +85°C | 8 Plastic DIP |
| MAX483EESA | -40°C to +85°C | 8 SO          |

型番はデータシートの最後に続いています。

選択ガイドはデータシートの最後に記載されています。

本データシートは日本語翻訳であり、相違及び誤りのある可能性があります。設計の際は英語版データシートを参照してください。

価格、納期、発注情報についてはMaxim Direct (0120-551056)にお問い合わせいただくか、Maximのウェブサイト(japan.maximintegrated.com)をご覧ください。

# ±15kVのESD保護、スルーレート制限 ローパワーRS-485/RS-422トランシーバ

## ABSOLUTE MAXIMUM RATINGS

|   |                                   |   |                 |
|---|-----------------------------------|---|-----------------|
| Supply Voltage (V <sub>CC</sub> ).....                | 12V                               | 14-Pin Plastic DIP (derate 10.00mW/°C above +70°C) .. | 800mW           |
| Control Input Voltage ( $\overline{RE}$ , DE).....    | -0.5V to (V <sub>CC</sub> + 0.5V) | 8-Pin SO (derate 5.88mW/°C above +70°C).....          | 471mW           |
| Driver Input Voltage (DI).....                        | -0.5V to (V <sub>CC</sub> + 0.5V) | 14-Pin SO (derate 8.33mW/°C above +70°C).....         | 667mW           |
| Driver Output Voltage (Y, Z; A, B) .....              | -8V to +12.5V                     | Operating Temperature Ranges                          |                 |
| Receiver Input Voltage (A, B).....                    | -8V to +12.5V                     | MAX4_C_/MAX1487EC_A .....                             | 0°C to +70°C    |
| Receiver Output Voltage (RO).....                     | -0.5V to (V <sub>CC</sub> + 0.5V) | MAX4_E_/MAX1487EE_A.....                              | -40°C to +85°C  |
| Continuous Power Dissipation (T <sub>A</sub> = +70°C) |                                   | Storage Temperature Range .....                       | -65°C to +160°C |
| 8-Pin Plastic DIP (derate 9.09mW/°C above +70°C) .... | 727mW                             | Lead Temperature (soldering, 10sec) .....             | +300°C          |

Stresses beyond those listed under "Absolute Maximum Ratings" may cause permanent damage to the device. These are stress ratings only, and functional operation of the device at these or any other conditions beyond those indicated in the operational sections of the specifications is not implied. Exposure to absolute maximum rating conditions for extended periods may affect device reliability.

## DC ELECTRICAL CHARACTERISTICS

(V<sub>CC</sub> = 5V ±5%, T<sub>A</sub> = T<sub>MIN</sub> to T<sub>MAX</sub>, unless otherwise noted.) (Notes 1, 2)

| PARAMETER   | SYMBOL           | CONDITIONS  | MIN                   | TYP | MAX  | UNITS |
|---|------------------|---|-----------------------|-----|------|-------|
| Differential Driver Output (no load)  | V <sub>OD1</sub> |   |                       |     | 5    | V     |
| Differential Driver Output (with load)  | V <sub>OD2</sub> | R = 50Ω (RS-422)  | 2                     |     |      | V     |
|   |                  | R = 27Ω (RS-485), Figure 8  | 1.5                   |     | 5    | V     |
| Change in Magnitude of Driver Differential Output Voltage for Complementary Output States | ΔV <sub>OD</sub> | R = 27Ω or 50Ω, Figure 8  |                       |     | 0.2  | V     |
| Driver Common-Mode Output Voltage   | V <sub>OC</sub>  | R = 27Ω or 50Ω, Figure 8  |                       |     | 3    | V     |
| Change in Magnitude of Driver Common-Mode Output Voltage for Complementary Output States  | ΔV <sub>OD</sub> | R = 27Ω or 50Ω, Figure 8  |                       |     | 0.2  | V     |
| Input High Voltage  | V <sub>IH</sub>  | DE, DI, $\overline{RE}$   | 2.0                   |     |      | V     |
| Input Low Voltage   | V <sub>IL</sub>  | DE, DI, $\overline{RE}$   |                       |     | 0.8  | V     |
| Input Current   | I <sub>IN1</sub> | DE, DI, $\overline{RE}$   |                       |     | ±2   | μA    |
| Input Current (A, B)  | I <sub>IN2</sub> | DE = 0V; V <sub>CC</sub> = 0V or 5.25V, all devices except MAX487E/MAX1487E | V <sub>IN</sub> = 12V |     | 1.0  | mA    |
|   |                  |   | V <sub>IN</sub> = -7V |     | -0.8 |       |
|   |                  | MAX487E/MAX1487E, DE = 0V, V <sub>CC</sub> = 0V or 5.25V                    | V <sub>IN</sub> = 12V |     | 0.25 | mA    |
|   |                  |   | V <sub>IN</sub> = -7V |     | -0.2 |       |
| Receiver Differential Threshold Voltage   | V <sub>TH</sub>  | -7V ≤ V <sub>CM</sub> ≤ 12V   | -0.2                  |     | 0.2  | V     |
| Receiver Input Hysteresis   | ΔV <sub>TH</sub> | V <sub>CM</sub> = 0V  |                       | 70  |      | mV    |
| Receiver Output High Voltage  | V <sub>OH</sub>  | I <sub>O</sub> = -4mA, V <sub>ID</sub> = 200mV                              | 3.5                   |     |      | V     |
| Receiver Output Low Voltage   | V <sub>OL</sub>  | I <sub>O</sub> = 4mA, V <sub>ID</sub> = -200mV                              |                       |     | 0.4  | V     |
| Three-State (high impedance) Output Current at Receiver                                   | I <sub>OZR</sub> | 0.4V ≤ V <sub>O</sub> ≤ 2.4V  |                       |     | ±1   | μA    |
| Receiver Input Resistance   | R <sub>IN</sub>  | -7V ≤ V <sub>CM</sub> ≤ 12V, all devices except MAX487E/MAX1487E            | 12                    |     |      | kΩ    |
|   |                  | -7V ≤ V <sub>CM</sub> ≤ 12V, MAX487E/MAX1487E                               | 48                    |     |      | kΩ    |

MAX481E/MAX483E/MAX485E/MAX487E-MAX491E/MAX1487E

# ±15kVのESD保護、スルーレート制限 ローパワーRS-485/RS-422トランシーバ

MAX481E/MAX483E/MAX485E/MAX487E-MAX491E/MAX1487E

## DC ELECTRICAL CHARACTERISTICS (continued)

(V<sub>CC</sub> = 5V ±5%, T<sub>A</sub> = T<sub>MIN</sub> to T<sub>MAX</sub>, unless otherwise noted.) (Notes 1, 2)

| PARAMETER  | SYMBOL            | CONDITIONS  | MIN                  | TYP     | MAX | UNITS |
|--|-------------------|---|----------------------|---------|-----|-------|
| No-Load Supply Current<br>(Note 3)                     | I <sub>CC</sub>   | MAX488E/MAX489E,<br>DE, DI, $\overline{RE}$ = 0V or V <sub>CC</sub> |                      | 120     | 250 | μA    |
|  |                   | MAX490E/MAX491E,<br>DE, DI, $\overline{RE}$ = 0V or V <sub>CC</sub> |                      | 300     | 500 |       |
|  |                   | MAX481E/MAX485E,<br>$\overline{RE}$ = 0V or V <sub>CC</sub>         | DE = V <sub>CC</sub> | 500     | 900 |       |
|  |                   |   | DE = 0V              | 300     | 500 |       |
|  |                   | MAX1487E,<br>$\overline{RE}$ = 0V or V <sub>CC</sub>                | DE = V <sub>CC</sub> | 300     | 500 |       |
|  |                   |   | DE = 0V              | 230     | 400 |       |
|  |                   | MAX483E/MAX487E,<br>$\overline{RE}$ = 0V or V <sub>CC</sub>         | DE = V <sub>CC</sub> | MAX483E | 350 |       |
| MAX487E  | 250               |   |                      | 400     |     |       |
|  |                   | DE = 0V   | 120                  | 250     |     |       |
| Supply Current in Shutdown                             | I <sub>SHDN</sub> | MAX481E/483E/487E, DE = 0V, $\overline{RE}$ = V <sub>CC</sub>       |                      | 0.5     | 10  | μA    |
| Driver Short-Circuit Current,<br>V <sub>O</sub> = High | I <sub>OSD1</sub> | -7V ≤ V <sub>O</sub> ≤ 12V (Note 4)                                 | 35                   |         | 250 | mA    |
| Driver Short-Circuit Current,<br>V <sub>O</sub> = Low  | I <sub>OSD2</sub> | -7V ≤ V <sub>O</sub> ≤ 12V (Note 4)                                 | 35                   |         | 250 | mA    |
| Receiver Short-Circuit Current                         | I <sub>OSR</sub>  | 0V ≤ V <sub>O</sub> ≤ V <sub>CC</sub>                               | 7                    |         | 95  | mA    |
| ESD Protection   |                   | A, B, Y and Z pins, tested using Human Body Model                   |                      | ±15     |     | kV    |

## SWITCHING CHARACTERISTICS—MAX481E/MAX485E, MAX490E/MAX491E, MAX1487E

(V<sub>CC</sub> = 5V ±5%, T<sub>A</sub> = T<sub>MIN</sub> to T<sub>MAX</sub>, unless otherwise noted.) (Notes 1, 2)

| PARAMETER  | SYMBOL                              | CONDITIONS  | MIN                        | TYP | MAX | UNITS |    |
|--|-------------------------------------|---|----------------------------|-----|-----|-------|----|
| Driver Input to Output   | t <sub>PLH</sub>                    | Figures 10 and 12, R <sub>DIFF</sub> = 54Ω,<br>C <sub>L1</sub> = C <sub>L2</sub> = 100pF    | 10                         | 40  | 60  | ns    |    |
|  | t <sub>PHL</sub>                    |   | 10                         | 40  | 60  |       |    |
| Driver Output Skew to Output                                     | t <sub>SKEW</sub>                   | Figures 10 and 12, R <sub>DIFF</sub> = 54Ω, C <sub>L1</sub> = C <sub>L2</sub> = 100pF       |                            | 5   | 10  | ns    |    |
| Driver Rise or Fall Time   | t <sub>R</sub> , t <sub>F</sub>     | Figures 10 and 12,<br>R <sub>DIFF</sub> = 54Ω,<br>C <sub>L1</sub> = C <sub>L2</sub> = 100pF | MAX481E, MAX485E, MAX1487E | 3   | 20  | 40    | ns |
|  |                                     |   | MAX490EC/E, MAX491EC/E     | 5   | 20  | 25    |    |
| Driver Enable to Output High                                     | t <sub>ZH</sub>                     | Figures 11 and 13, C <sub>L</sub> = 100pF, S2 closed  |                            | 45  | 70  | ns    |    |
| Driver Enable to Output Low                                      | t <sub>ZL</sub>                     | Figures 11 and 13, C <sub>L</sub> = 100pF, S1 closed  |                            | 45  | 70  | ns    |    |
| Driver Disable Time from Low                                     | t <sub>LZ</sub>                     | Figures 11 and 13, C <sub>L</sub> = 15pF, S1 closed   |                            | 45  | 70  | ns    |    |
| Driver Disable Time from High                                    | t <sub>HZ</sub>                     | Figures 11 and 13, C <sub>L</sub> = 15pF, S2 closed   |                            | 45  | 70  | ns    |    |
| Receiver Input to Output   | t <sub>PLH</sub> , t <sub>PHL</sub> | Figures 10 and 14,<br>R <sub>DIFF</sub> = 54Ω,<br>C <sub>L1</sub> = C <sub>L2</sub> = 100pF | MAX481E, MAX485E, MAX1487E | 20  | 60  | 200   | ns |
|  |                                     |   | MAX490EC/E, MAX491EC/E     | 20  | 60  | 150   |    |
| t <sub>PLH</sub> - t <sub>PHL</sub>   Differential Receiver Skew | t <sub>SKD</sub>                    | Figures 10 and 14, R <sub>DIFF</sub> = 54Ω,<br>C <sub>L1</sub> = C <sub>L2</sub> = 100pF    |                            | 5   |     | ns    |    |
| Receiver Enable to Output Low                                    | t <sub>ZL</sub>                     | Figures 9 and 15, C <sub>R</sub> L = 15pF, S1 closed  |                            | 20  | 50  | ns    |    |
| Receiver Enable to Output High                                   | t <sub>ZH</sub>                     | Figures 9 and 15, C <sub>R</sub> L = 15pF, S2 closed  |                            | 20  | 50  | ns    |    |
| Receiver Disable Time from Low                                   | t <sub>LZ</sub>                     | Figures 9 and 15, C <sub>R</sub> L = 15pF, S1 closed  |                            | 20  | 50  | ns    |    |
| Receiver Disable Time from High                                  | t <sub>HZ</sub>                     | Figures 9 and 15, C <sub>R</sub> L = 15pF, S2 closed  |                            | 20  | 50  | ns    |    |
| Maximum Data Rate  | f <sub>MAX</sub>                    |   | 2.5                        |     |     | Mbps  |    |
| Time to Shutdown   | t <sub>SHDN</sub>                   | MAX481E (Note 5)  | 50                         | 200 | 600 | ns    |    |

# ±15kVのESD保護、スルーレート制限 ローパワーRS-485/RS-422トランシーバ

## SWITCHING CHARACTERISTICS—MAX481E/MAX485E, MAX490E/MAX491E, MAX1487E (continued)

(V<sub>CC</sub> = 5V ±5%, T<sub>A</sub> = T<sub>MIN</sub> to T<sub>MAX</sub>, unless otherwise noted.) (Notes 1, 2)

| PARAMETER  | SYMBOL                | CONDITIONS   | MIN | TYP | MAX  | UNITS |
|--|-----------------------|--|-----|-----|------|-------|
| Driver Enable from Shutdown to Output High (MAX481E)   | t <sub>ZH(SHDN)</sub> | Figures 11 and 13, C <sub>L</sub> = 100pF, S2 closed           |     | 45  | 100  | ns    |
| Driver Enable from Shutdown to Output Low (MAX481E)    | t <sub>ZL(SHDN)</sub> | Figures 11 and 13, C <sub>L</sub> = 100pF, S1 closed           |     | 45  | 100  | ns    |
| Receiver Enable from Shutdown to Output High (MAX481E) | t <sub>ZH(SHDN)</sub> | Figures 9 and 15, C <sub>L</sub> = 15pF, S2 closed, A - B = 2V |     | 225 | 1000 | ns    |
| Receiver Enable from Shutdown to Output Low (MAX481E)  | t <sub>ZL(SHDN)</sub> | Figures 9 and 15, C <sub>L</sub> = 15pF, S1 closed, B - A = 2V |     | 225 | 1000 | ns    |

## SWITCHING CHARACTERISTICS—MAX483E, MAX487E/MAX488E/MAX489E

(V<sub>CC</sub> = 5V ±5%, T<sub>A</sub> = T<sub>MIN</sub> to T<sub>MAX</sub>, unless otherwise noted.) (Notes 1, 2)

| PARAMETER  | SYMBOL                          | CONDITIONS  | MIN | TYP | MAX  | UNITS |
|--|---------------------------------|---|-----|-----|------|-------|
| Driver Input to Output   | t <sub>PLH</sub>                | Figures 10 and 12, R <sub>DIFF</sub> = 54Ω, C <sub>L1</sub> = C <sub>L2</sub> = 100pF | 250 | 800 | 2000 | ns    |
|  | t <sub>PHL</sub>                |   | 250 | 800 | 2000 |       |
| Driver Output Skew to Output                                     | t <sub>SKEW</sub>               | Figures 10 and 12, R <sub>DIFF</sub> = 54Ω, C <sub>L1</sub> = C <sub>L2</sub> = 100pF |     | 20  | 800  | ns    |
| Driver Rise or Fall Time   | t <sub>R</sub> , t <sub>F</sub> | Figures 10 and 12, R <sub>DIFF</sub> = 54Ω, C <sub>L1</sub> = C <sub>L2</sub> = 100pF | 250 |     | 2000 | ns    |
| Driver Enable to Output High                                     | t <sub>ZH</sub>                 | Figures 11 and 13, C <sub>L</sub> = 100pF, S2 closed                                  | 250 |     | 2000 | ns    |
| Driver Enable to Output Low                                      | t <sub>ZL</sub>                 | Figures 11 and 13, C <sub>L</sub> = 100pF, S1 closed                                  | 250 |     | 2000 | ns    |
| Driver Disable Time from Low                                     | t <sub>LZ</sub>                 | Figures 11 and 13, C <sub>L</sub> = 15pF, S1 closed                                   | 300 |     | 3000 | ns    |
| Driver Disable Time from High                                    | t <sub>HZ</sub>                 | Figures 11 and 13, C <sub>L</sub> = 15pF, S2 closed                                   | 300 |     | 3000 | ns    |
| Receiver Input to Output   | t <sub>PLH</sub>                | Figures 10 and 14, R <sub>DIFF</sub> = 54Ω, C <sub>L1</sub> = C <sub>L2</sub> = 100pF | 250 |     | 2000 | ns    |
|  | t <sub>PHL</sub>                |   | 250 |     | 2000 |       |
| t <sub>PLH</sub> - t <sub>PHL</sub>   Differential Receiver Skew | t <sub>SKD</sub>                | Figures 10 and 14, R <sub>DIFF</sub> = 54Ω, C <sub>L1</sub> = C <sub>L2</sub> = 100pF |     | 100 |      | ns    |
| Receiver Enable to Output Low                                    | t <sub>ZL</sub>                 | Figures 9 and 15, C <sub>R</sub> L = 15pF, S1 closed                                  |     | 25  | 50   | ns    |
| Receiver Enable to Output High                                   | t <sub>ZH</sub>                 | Figures 9 and 15, C <sub>R</sub> L = 15pF, S2 closed                                  |     | 25  | 50   | ns    |
| Receiver Disable Time from Low                                   | t <sub>LZ</sub>                 | Figures 9 and 15, C <sub>R</sub> L = 15pF, S1 closed                                  |     | 25  | 50   | ns    |
| Receiver Disable Time from High                                  | t <sub>HZ</sub>                 | Figures 9 and 15, C <sub>R</sub> L = 15pF, S2 closed                                  |     | 25  | 50   | ns    |
| Maximum Data Rate  | f <sub>MAX</sub>                | t <sub>PLH</sub> , t <sub>PHL</sub> < 50% of data period                              | 250 |     |      | kbps  |
| Time to Shutdown   | t <sub>SHDN</sub>               | MAX483E/MAX487E (Note 5)  | 50  | 200 | 600  | ns    |
| Driver Enable from Shutdown to Output High                       | t <sub>ZH(SHDN)</sub>           | MAX483E/MAX487E, Figures 11 and 13, C <sub>L</sub> = 100pF, S2 closed                 |     |     | 2000 | ns    |
| Driver Enable from Shutdown to Output Low                        | t <sub>ZL(SHDN)</sub>           | MAX483E/MAX487E, Figures 11 and 13, C <sub>L</sub> = 100pF, S1 closed                 |     |     | 2000 | ns    |
| Receiver Enable from Shutdown to Output High                     | t <sub>ZH(SHDN)</sub>           | MAX483E/MAX487E, Figures 9 and 15, C <sub>L</sub> = 15pF, S2 closed                   |     |     | 2500 | ns    |
| Receiver Enable from Shutdown to Output Low                      | t <sub>ZL(SHDN)</sub>           | MAX483E/MAX487E, Figures 9 and 15, C <sub>L</sub> = 15pF, S1 closed                   |     |     | 2500 | ns    |

MAX481E/MAX483E/MAX485E/MAX487E-MAX491E/MAX1487E

# ±15kVのESD保護、スルーレート制限 ローパワーRS-485/RS-422トランシーバ

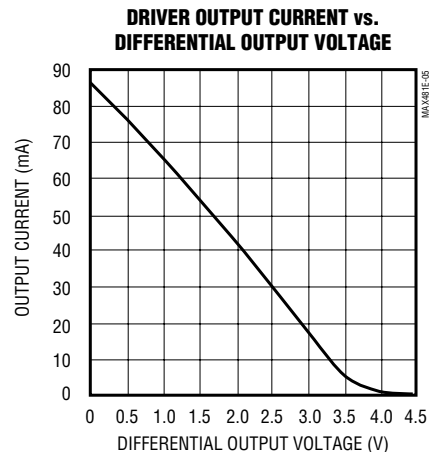
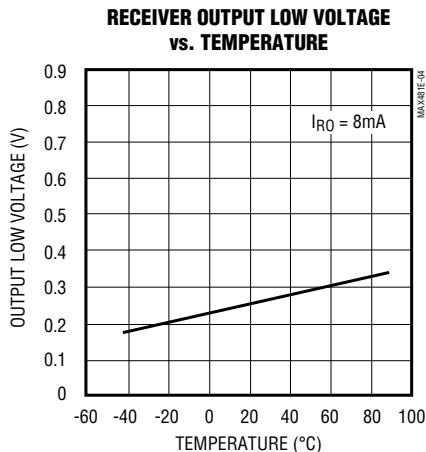
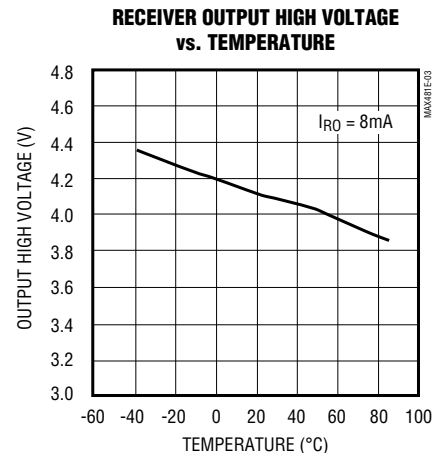
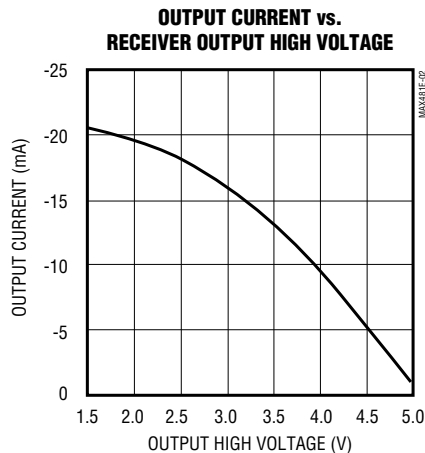
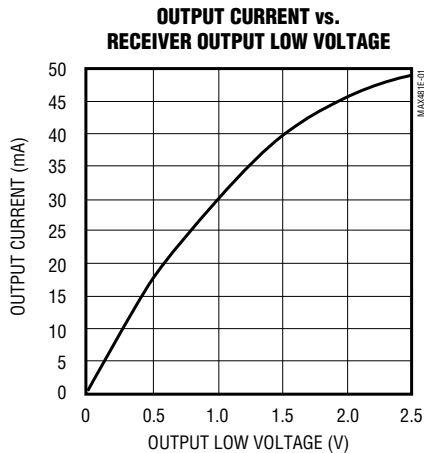
MAX481E/MAX483E/MAX485E/MAX487E-MAX491E/MAX1487E

## NOTES FOR ELECTRICAL/SWITCHING CHARACTERISTICS

- Note 1:** All currents into device pins are positive; all currents out of device pins are negative. All voltages are referenced to device ground unless otherwise specified.
- Note 2:** All typical specifications are given for  $V_{CC} = 5V$  and  $T_A = +25^{\circ}C$ .
- Note 3:** Supply current specification is valid for loaded transmitters when  $DE = 0V$ .
- Note 4:** Applies to peak current. See *Typical Operating Characteristics*.
- Note 5:** The MAX481E/MAX483E/MAX487E are put into shutdown by bringing  $\overline{RE}$  high and  $DE$  low. If the inputs are in this state for less than 50ns, the parts are guaranteed not to enter shutdown. If the inputs are in this state for at least 600ns, the parts are guaranteed to have entered shutdown. See *Low-Power Shutdown Mode* section.

## 標準動作特性

( $V_{CC} = 5V$ ,  $T_A = +25^{\circ}C$ , unless otherwise noted.)

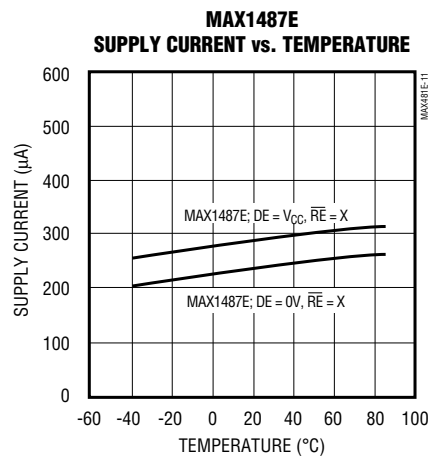
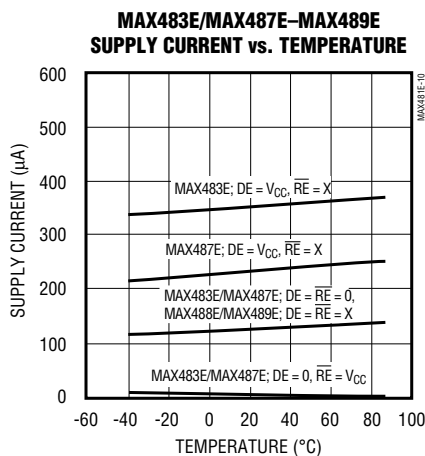
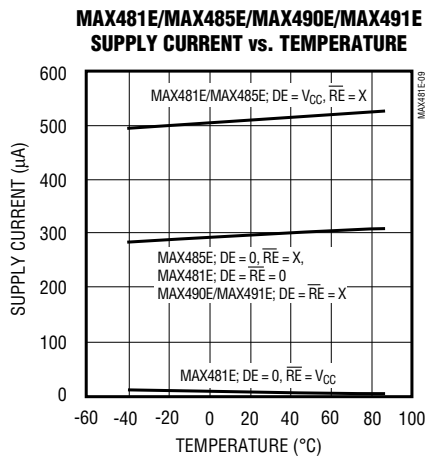
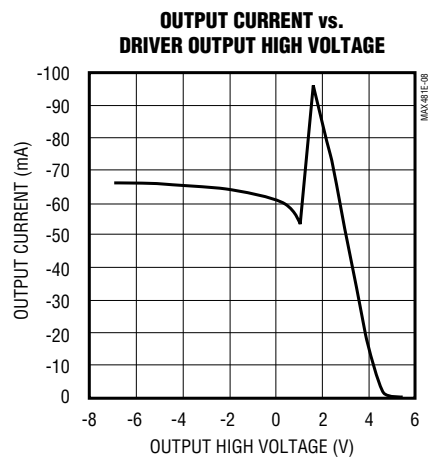
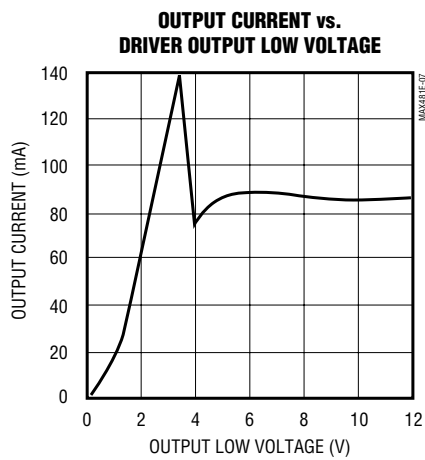
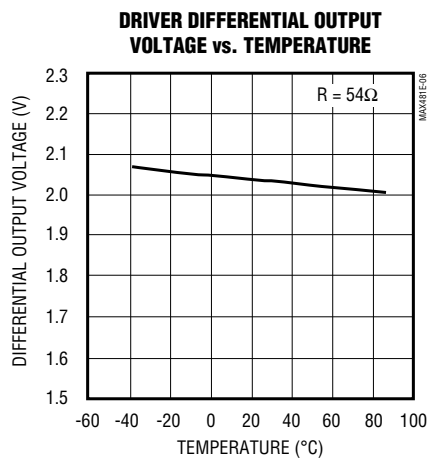


# ±15kVのESD保護、スルーレート制限 ローパワーRS-485/RS-422トランシーバ

MAX481E/MAX483E/MAX485E/MAX487E-MAX489E/MAX491E/MAX1487E

## 標準動作特性(続き)

( $V_{CC} = 5V$ ,  $T_A = +25^\circ C$ , unless otherwise noted.)



# ±15kVのESD保護、スルーレート制限 ローパワーRS-485/RS-422トランシーバ

## 端子説明

| 端 子  |                    |                    | 名 称  | 機 能   |
|--|--------------------|--------------------|------|---|
| MAX481E/MAX483E<br>MAX485E/MAX487E<br>MAX1487E | MAX488E<br>MAX490E | MAX489E<br>MAX491E |      |   |
| 1  | 2                  | 2                  | RO   | レシーバ出力。AがBより200mV高い場合ROはハイ、また、AがBより200mV低い場合ROはロー。  |
| 2  | —                  | 3                  | RE   | レシーバ出力イネーブル。REがローの場合ROはイネーブルされます。REが高い場合ROはハイインピーダンス状態です。   |
| 3  | —                  | 4                  | DE   | ドライバ出力イネーブル。DEをハイにすることにより、ドライバ出力Y、Zがイネーブルになります。DEがローの場合、ドライバ出力はハイインピーダンス状態です。ドライバ出力がイネーブルの場合、この素子はラインドライバとして機能します。ドライバ出力がハイインピーダンス状態でREがローの場合、この素子はラインレシーバとして機能します。 |
| 4  | 3                  | 5                  | DI   | ドライバ入力。DIがローの場合強制的に出力Yがロー、出力Zはハイ。同様に、DIが高い場合出力Yがハイ、出力Zがローになります。   |
| 5  | 4                  | 6, 7               | GND  | グラウンド   |
| —  | 5                  | 9                  | Y    | 非反転ドライバ出力   |
| —  | 6                  | 10                 | Z    | 反転ドライバ出力  |
| 6  | —                  | —                  | A    | 非反転レシーバ入力及び非反転ドライバ出力  |
| —  | 8                  | 12                 | A    | 非反転レシーバ入力   |
| 7  | —                  | —                  | B    | 反転レシーバ入力及び反転ドライバ出力  |
| —  | 7                  | 11                 | B    | 反転レシーバ入力  |
| 8  | 1                  | 14                 | VCC  | 正電源：4.75V ≤ VCC ≤ 5.25V   |
| —  | —                  | 1, 8, 13           | N.C. | 無接続。(内部接続されていません。)  |

MAX481E/MAX483E/MAX485E/MAX487E-MAX491E/MAX1487E

# ±15kVのESD保護、スルーレート制限 ローパワーRS-485/RS-422トランシーバ

MAX481E/MAX483E/MAX485E/MAX487E-MAX491E/MAX1487E

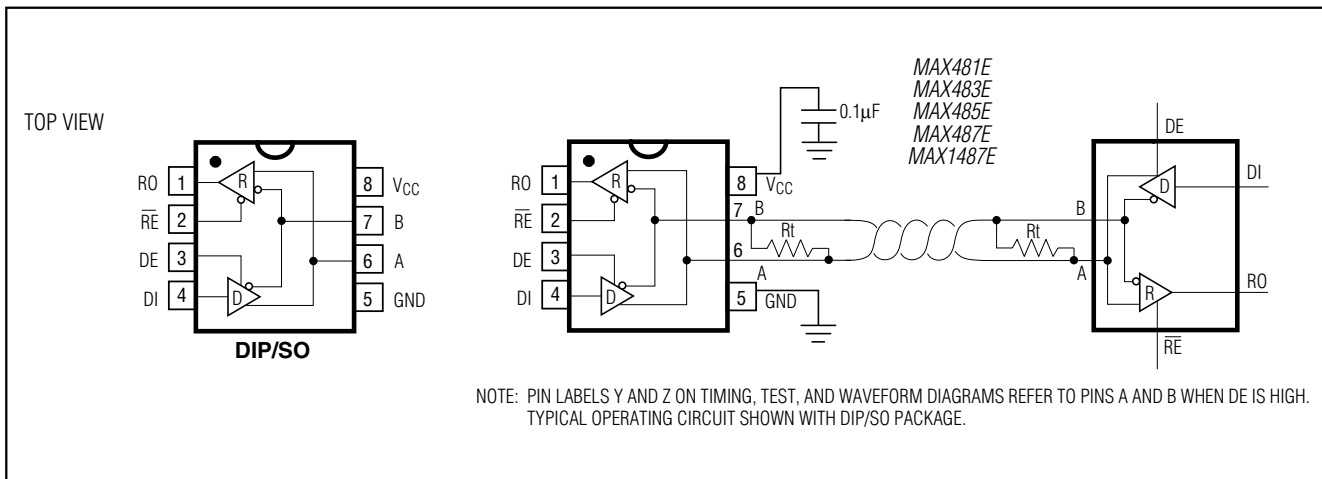


図1. MAX481E/MAX483E/MAX485E/MAX487E/MAX1487Eのピン配置と標準動作回路

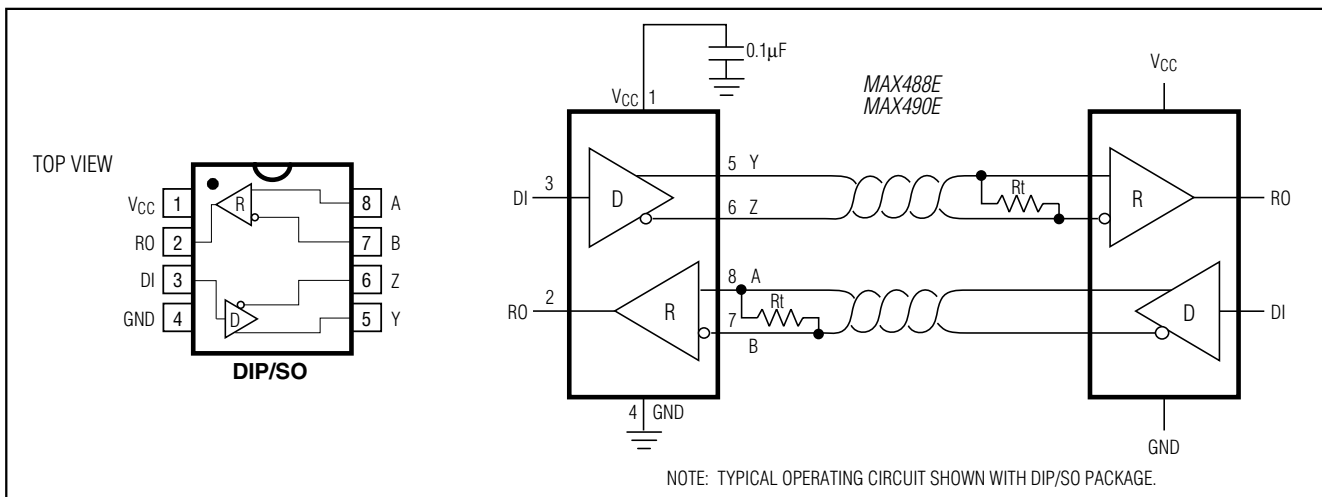


図2. MAX488E/MAX490Eのピン配置と標準動作回路

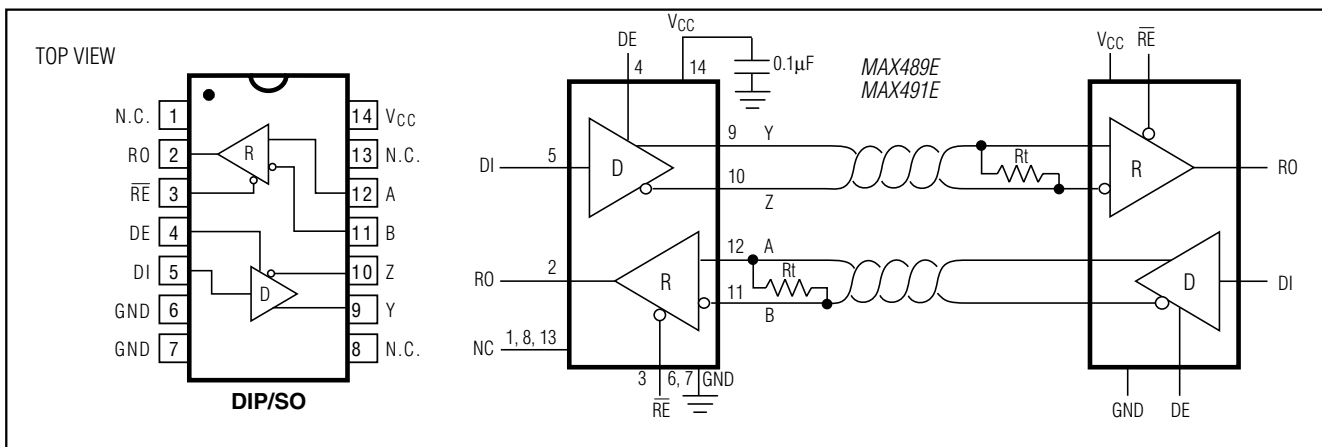


図3. MAX489E/MAX491Eのピン配置と標準動作回路



# ±15kVのESD保護、スルーレート制限 ローパワーRS-485/RS-422トランシーバ

MAX481E/MAX483E/MAX485E/MAX487E-MAX491E/MAX1487E

## 機能表(MAX481E/MAX483E/MAX485E/MAX487E/MAX1487E)

表1. 送信

| 入力 |    |    | 出力   |      |
|----|----|----|------|------|
| RE | DE | DI | Z    | Y    |
| X  | 1  | 1  | 0    | 1    |
| X  | 1  | 0  | 1    | 0    |
| 0  | 0  | X  | ハイZ  | ハイZ  |
| 1  | 0  | X  | ハイZ* | ハイZ* |

X = 任意  
ハイZ = ハイインピーダンス  
\* MAX481E/MAX483E/MAX487E用シャットダウンモード

表2. 受信

| 入力 |    |              | 出力   |
|----|----|--------------|------|
| RE | DE | A-B          | RO   |
| 0  | 0  | $\geq +0.2V$ | 1    |
| 0  | 0  | $\leq -0.2V$ | 0    |
| 0  | 0  | 入力オープン       | 1    |
| 1  | 0  | X            | ハイZ* |

X = 任意  
ハイZ = ハイインピーダンス  
\* MAX481E/MAX483E/MAX487E用シャットダウンモード

## アプリケーション情報

MAX481E/MAX483E/MAX485E/MAX487E~MAX491E及びMAX1487Eは、RS-485及びRS-422通信用のローパワートランシーバです。これらはMAX481、MAX483、MAX485、MAX487~MAX491及びMAX1487のEバージョンで、ESD保護が強化されています。頑丈なMAX481E、MAX483E、MAX485E、MAX487E~MAX491E及びMAX1487Eは高速通信が重要な過酷な環境での使用に適しています。これらの製品はトランジエント吸収用ダイオードを必要とせず、それに付随する大きな容量性負荷も排除できます。コストが重要視されるアプリケーションでは、MAX481、MAX483、MAX485、MAX487~MAX491及びMAX1487の標準品(Eなし)が推奨されます。

MAX481E、MAX485E、MAX490E、MAX491E及びMAX1487Eは最高2.5Mbpsのデータレートで送受信できますが、MAX483E、MAX487E、MAX488E及びMAX489Eの最高データレートは250kbpsです。MAX488E~MAX491Eはフルデュプレックストランシーバで、MAX481E、MAX483E、MAX485E、MAX487E及びMAX1487Eはハーフデュプレックストランシーバです。また、MAX481E、MAX483E、MAX485E、MAX487E、MAX489E、MAX491E及びMAX1487Eはドライバインペーブル(DE)ピン及びレシーバインペーブル(RE)ピンを備えています。ドライバ及びレシーバの出力は、ディセーブルされるとハイインピーダンスになります。

### ±15kVのESD保護

取り扱い及び回路の組立て中に生じる静電放電に対処するために、マキシム社の他の全ての製品同様に、これらの製品にも全てのピンにESD保護構造が取り付けられています。ドライバ出力及びレシーバ入力

静電気に耐する保護が特に強化されています。マキシム社の技術で±15kVのESDにもダメージを受けずに耐えられる新構造を開発し、これらのピンに組み込みました。このESD構造は通常動作、シャットダウン及びパワーダウンのどの状態でも高ESDに耐えます。MAX481E、MAX483E、MAX485E、MAX487E~MAX491E及びMAX1487EはESDが発生した後もラッチアップを起こさずに動作し続けます。

ESD保護は様々な方法でテストすることができます。本製品ファミリのトランスミッタ出力及びレシーバ入力、ヒューマンモデル法により、±15kVまでの保護が確認されています。

その他のESDの試験法としては、IEC1000-4-2の接触放電法及びIEC1000-4-2のエアギャップ放電法(かつてのIEC801-2法)等があります。

### ESDの試験条件

ESD性能は様々な条件に依存します。試験のセットアップ、試験の方法論及び試験結果を記載した信頼性に関する報告書をマキシム社から入手できます。

### ヒューマンモデル法

図4にヒューマンモデル法を示します。図5はヒューマンモデルから低インピーダンスの負荷に放電した場合の電流波形を示しています。このモデルでは測定したいESD電圧まで充電した100pFのコンデンサを使用しています。この電圧は1.5kΩの抵抗を通して試験素子に放電されます。

### IEC1000-4-2

IEC1000-4-2規格は完成品のESD試験及び性能について規定しています。集積回路については特に触れていません(図6)。

# ±15kVのESD保護、スルーレート制限 ローパワーRS-485/RS-422トランシーバ

MAX481E/MAX483E/MAX485E/MAX487E-MAX491E/MAX1487E

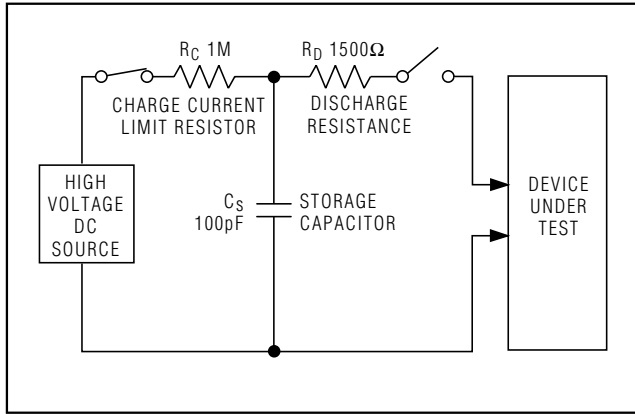


図4. ヒューマンモデル法によるESDの試験モデル

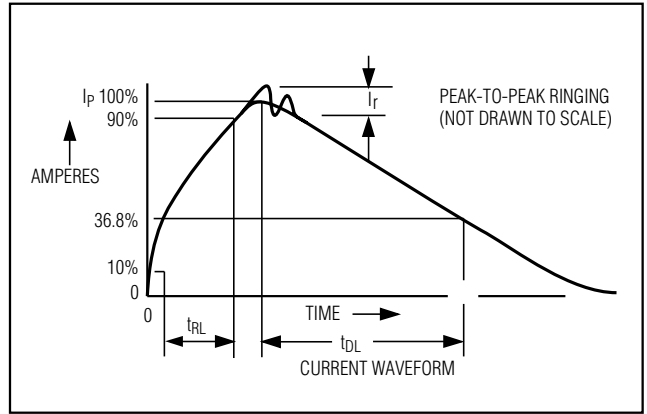


図5. ヒューマンモデル電流波形

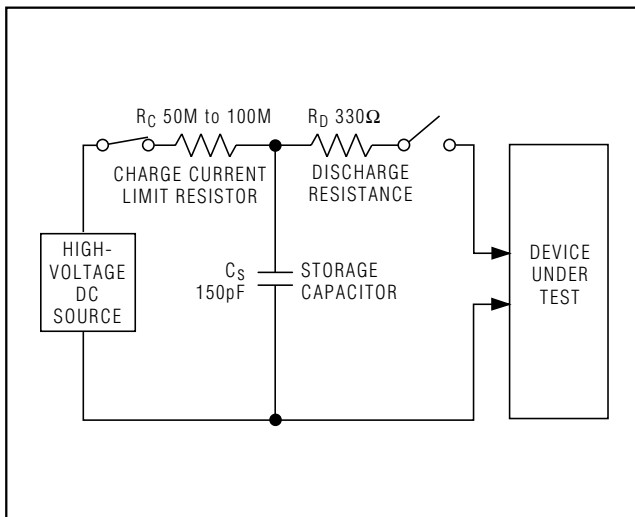


図6. IEC1000-4-2法によるESDの試験モデル

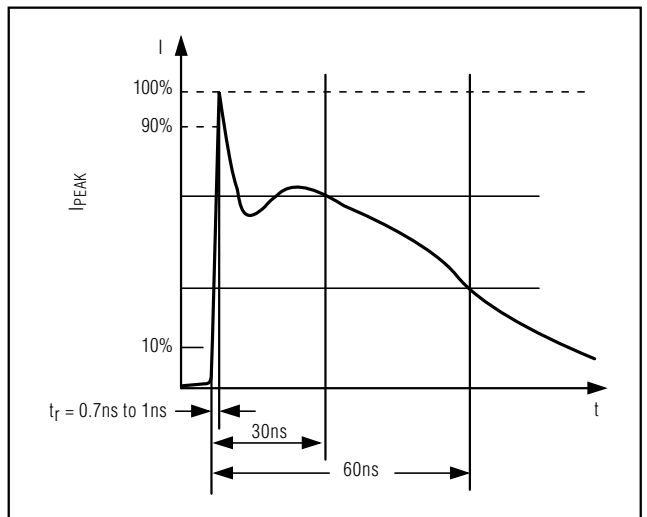


図7. IEC1000-4-2法によるESD発生器の電流波形

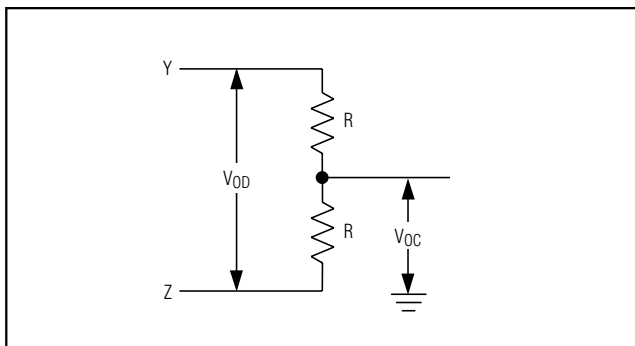


図8. ドライバのDC試験負荷

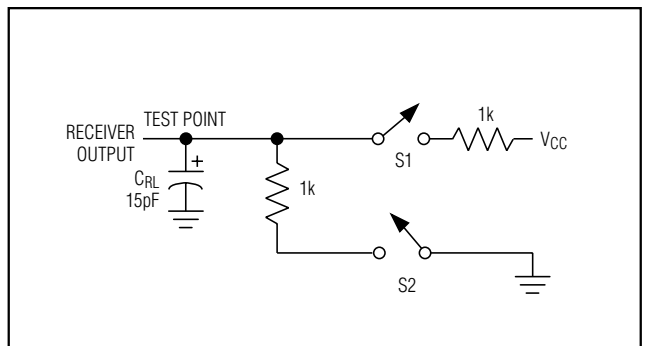


図9. レシーバのタイミング試験負荷

# ±15kVのESD保護、スルーレート制限 ローパワーRS-485/RS-422トランシーバ

MAX481E/MAX483E/MAX485E/MAX487E-MAX491E/MAX1487E

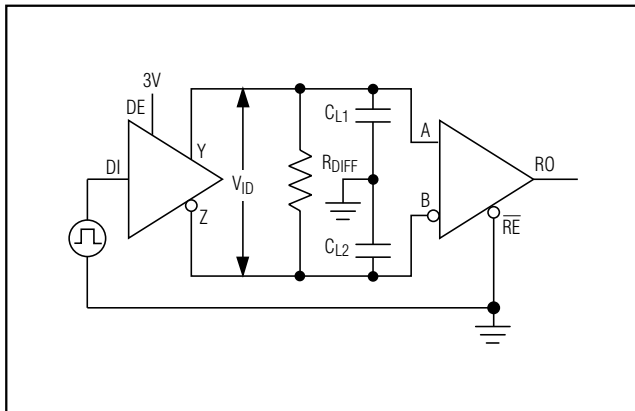


図10. ドライバレシーバのタイミング試験回路

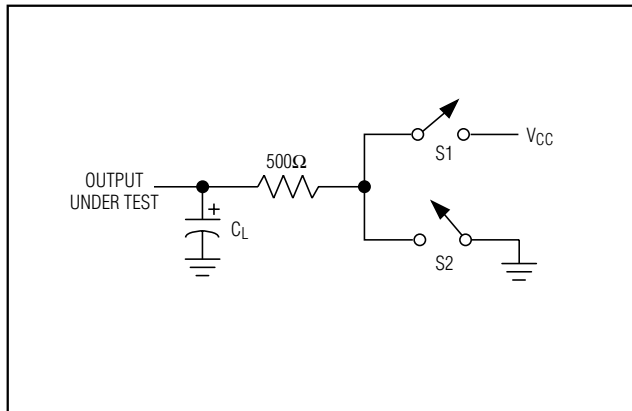


図11. ドライバのタイミング試験負荷

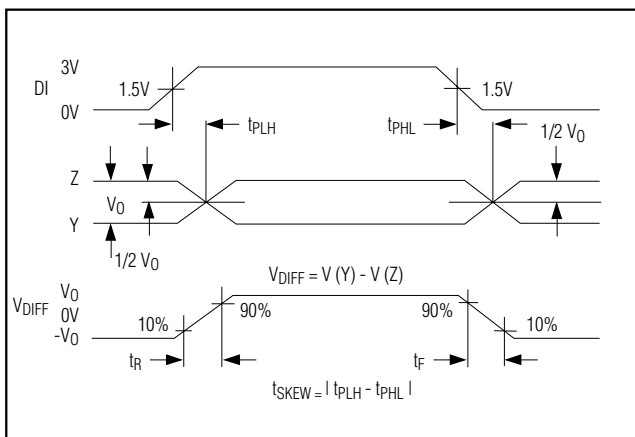


図12. ドライバの伝播遅延

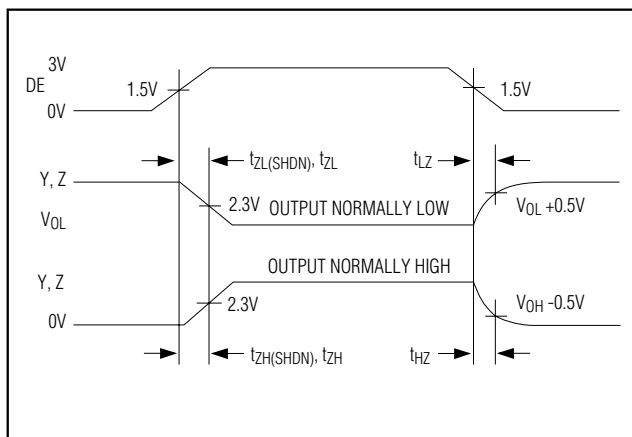


図13. ドライバのイネーブ爾及びディセーブ爾時間  
(MAX488E及びMAX490Eを除く)

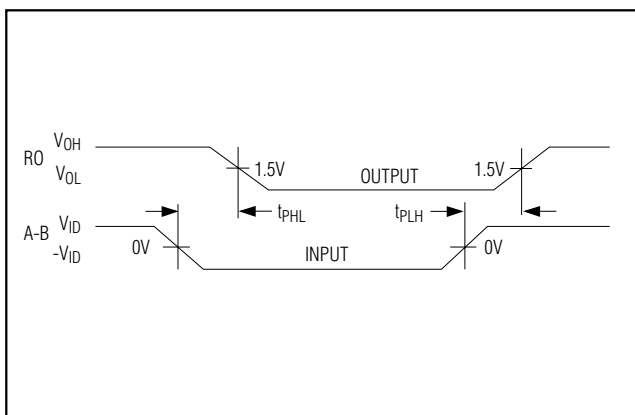


図14. レシーバの伝播遅延

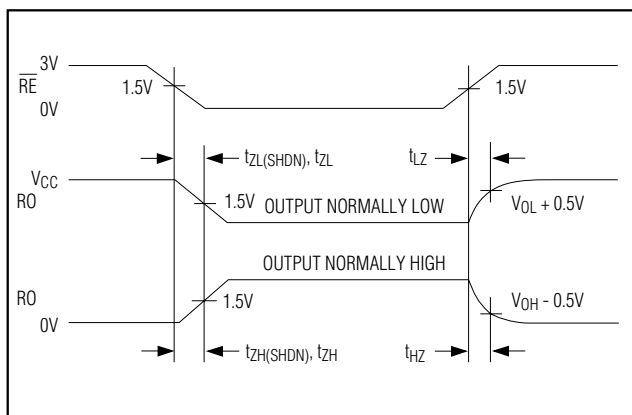


図15. レシーバのイネーブ爾及びディセーブ爾時間  
(MAX488EとMAX490Eを除く)

# ±15kVのESD保護、スルーレート制限 ローパワーRS-485/RS-422トランシーバ

MAX481E/MAX483E/MAX485E/MAX487E/MAX491E/MAX1487E

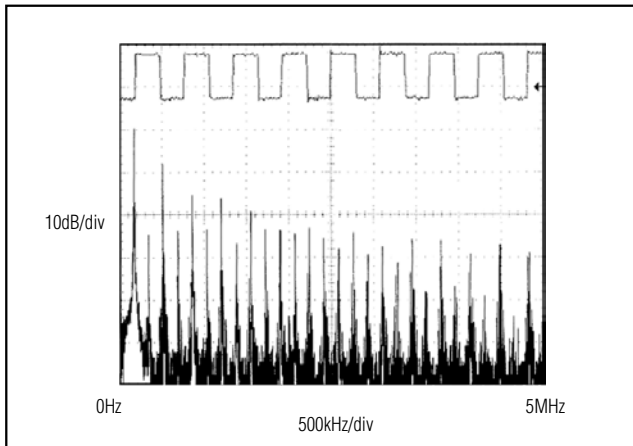


図16. MAX485E/MAX490E/MAX491E/MAX1487Eの150kHz信号転送時のドライバ出力波形及びFFTプロット

ヒューマンモデル及びIEC1000-4-2の主な違いは、IEC1000-4-2の方が直列抵抗が低いため、ピーク電流が高いことです。従って、IEC1000-4-2で測定されたESD耐圧は一般的にヒューマンモデルによるESD耐圧よりも低くなっています。図7に8kVのIEC1000-4-2 ESD接触放電試験の電流波形を示します。

エアギャップ試験は充電したプローブに素子を近付けることによって行います。接触放電法ではプローブが充電される前にプローブを素子に接触させます。

## マシンモデル

マシンモデルによるESD試験では、充電コンデンサを200pF、放電抵抗をゼロにして全てのピンをテストします。これは製造中の取り扱い及び組立て中の接触によって生じるストレスを想定した試験方法です。製造中は入出力ピンだけでなく、全てのピンにこうした保護が必要です。従って、PCボードの組立てが完了した後は、マシンモデルはI/Oポートにはあまり適切ではありません。

## MAX487E/MAX1487E : バス上に128個までのトランシーバ

MAX487EとMAX1487Eは、レシーバの入カインピーダンスが48kΩで1/4ユニット負荷であるため、バス上に最大128個のトランシーバを接続できます。これに対して標準的なRS-485ドライバは1ユニット負荷(入力インピーダンス12kΩ)であるため、トランシーバ数は最大32個までです。合計が32ユニット負荷以下であれば、MAX487E/MAX1487E及びその他のRS-485トランシーバを任意に組み合わせてバスに接続できます。

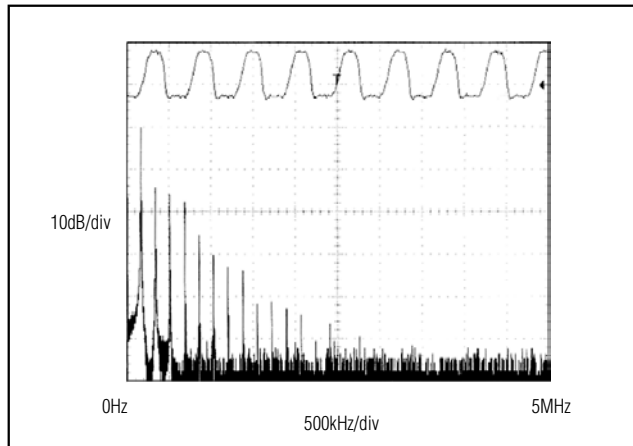


図17. MAX483E/MAX487E~MAX489Eの150kHz信号転送時のドライバ出力波形及びFFTプロット

MAX481E、MAX483E、MAX485E及びMAX488E~MAX491Eのレシーバの入カインピーダンスは標準の12kΩです。

## MAX483E/MAX487E/MAX488E/MAX489E : EMIの低減と反射

MAX483E及びMAX487E~MAX489Eはスルーレートが制限されているため、EMIを最小限に抑えることができ、ケーブル終端が適切に行われていない場合に起こる反射を低減させています。MAX481E、MAX485E、MAX490E、MAX491E又はMAX1487Eから転送された150kHzの信号のドライバ出力波形とフーリエ解析の結果を図16に示します。高周波の高調波振幅が大きいのが明らかに分かります。図17は、MAX483E、MAX487E、MAX488E又はMAX489Eでの同じ条件で転送を行った場合を示します。図17では高周波の高調波振幅が小さく、EMIが起こる可能性は大幅に低減されています。

## ローパワーシャットダウンモード (MAX481E/MAX483E/MAX487E)

REをハイに、かつDEをローにすることによってローパワーシャットダウンモードは開始されます。ドライバとレシーバの両方がディセーブルされない限り、シャットダウンモードには入りません。シャットダウン中の消費電流は僅か0.1µA(typ)です。

RE及びDEは同時に駆動することができ、REがハイでDEがローの状態が50ns以下の場合にはシャットダウンモードには入らないことが保証されており、この入力状態が600ns以上続けばシャットダウンモードに入ることが保証されています。

# ±15kVのESD保護、スルーレート制限 ローパワーRS-485/RS-422トランシーバ

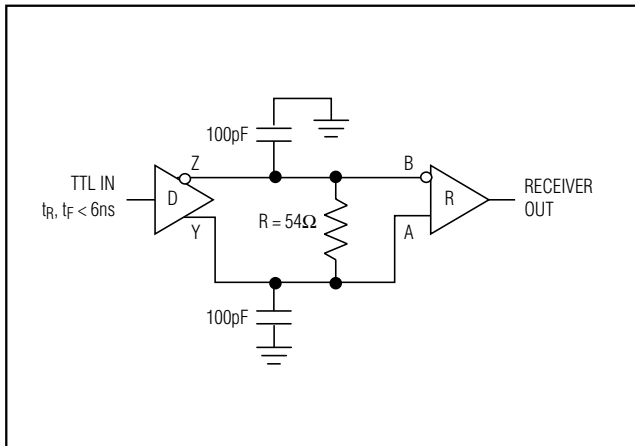


図18. レシーバ伝播遅延の試験回路

MAX481E、MAX483E及びMAX487Eに関しては、 $t_{ZH}$ 及び $t_{ZL}$ イネーブル時間はトランシーバがローパワーシャットダウン状態になかったことを示します(MAX485E/MAX488E~MAX491E及びMAX1487Eはシャットダウンされません)。 $t_{ZH}$ (SHDN)及び $t_{ZL}$ (SHDN)イネーブル時間はトランシーバがシャットダウン状態にあったことを示します(「電気的特性」を参照)。

動作モード( $t_{ZH}$ 、 $t_{ZL}$ )からより、ローパワーシャットダウン状態( $t_{ZH}$ (SHDN)、 $t_{ZL}$ (SHDN))からの方が、イネーブルになるのに時間がかかります。(RE、DE入力がロジック0,1、1,1又は0,0の場合トランシーバは動作モードです。)

## ドライバ出力保護

フォルトまたはバス接続によって起こる出力過電流及び過電力消費に対しては、2種類の保護機能が働きます。まずは、コモンモード電圧範囲の短絡回路に対して直ちに保護機能が働く出力段でのフの字過電流制限(「標準動作特性」を参照)、次に、チップの温度が過度に上昇した時にドライバ出力が強制的にハイインピーダンス状態に入るサーマルシャットダウン機能です。

## 伝播遅延

多くのデジタルエンコーディング方式は、ドライバとレシーバの伝播遅延時間の差によって決まります。図18の試験回路を使用した標準遅延時間を図19~図22に示します。

MAX481E、MAX485E、MAX490E、MAX491E及びMAX1487Eのレシーバ遅延時間の差 $t_{pLH}-t_{pHL}$ は13ns以下(typ)、MAX483E及びMAX487E~MAX489Eは100ns以下(typ)です。

MAX481E、MAX485E、MAX490E、MAX491E及びMAX1487Eのドライバスキュー時間は5ns typ(10ns max)、MAX483E及びMAX487E~MAX489Eは100ns typ(800ns max)です。

## 標準アプリケーション

MAX481E、MAX483E、MAX485E、MAX487E~MAX491E及びMAX1487Eは、マルチポイント接続のバストランスミッションラインで双方向のデータ通信ができる様に設計されたトランシーバです。図25及び図26には標準的なネットワークアプリケーション回路を示します。ケーブル長が1.2km以上ある場合はこれらのトランシーバをラインリピータとして使用することもできます。

反射を最小限に抑えるためには、このラインは、両端において特性インピーダンスによって終端されなければなりません。メインラインからの分岐線はできる限り短くしなければなりません。スルーレートが制限されたMAX483E及びMAX487E~MAX489Eは、不完全な終端に対する許容度が高くなっています。 $V_{CC}$ ピンは0.1 $\mu$ Fのコンデンサでバイパスしてください。

## 絶縁型RS-485

絶縁型のRS-485アプリケーションについては、MAX253及びMAX1480のデータシートを参照してください。

## ケーブル長対データレート

RS-485/RS-422標準の最大ケーブル長は1.2km(4,000フィート)です。図23及び図24には、1.2kmの26AWGツイストペア線によって、110kHzにて100 $\Omega$ の負荷を駆動した場合のシステム差動電圧を示します。

# ±15kVのESD保護、スルーレート制限 ローパワーRS-485/RS-422トランシーバ

MAX481E/MAX483E/MAX485E/MAX487E~MAX489E/MAX491E/MAX1487E

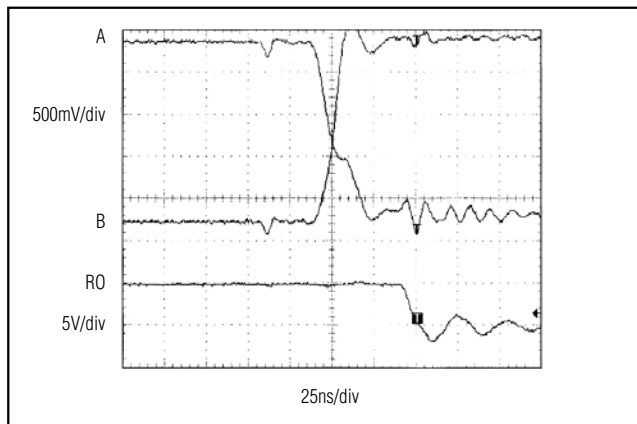


図19. MAX481E/MAX485E/MAX490E/MAX1487Eのレシーバ $t_{pHL}$

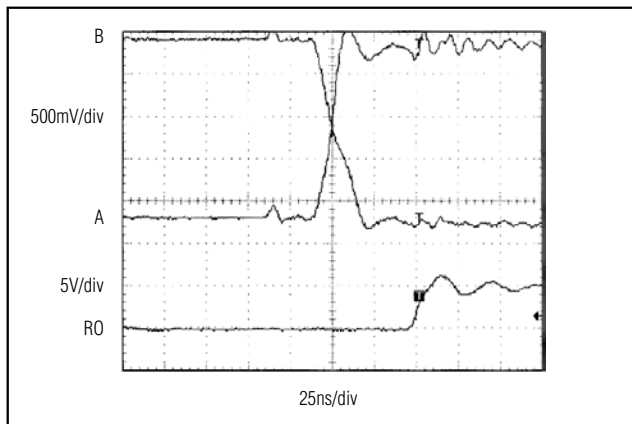


図20. MAX481E/MAX485E/MAX490E/MAX491E/MAX1487Eのレシーバ $t_{pLH}$

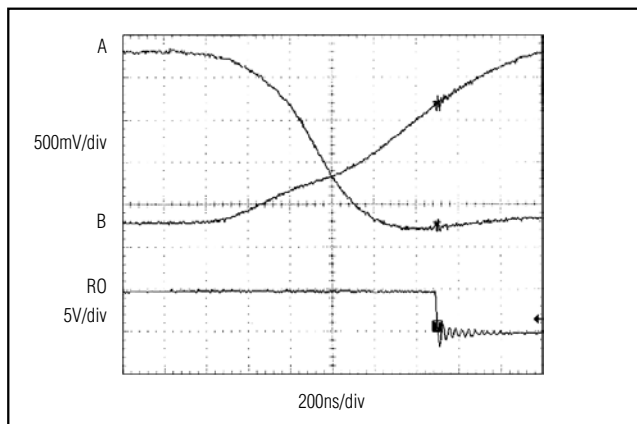


図21. MAX483E/MAX487E~MAX489Eのレシーバ $t_{pHL}$

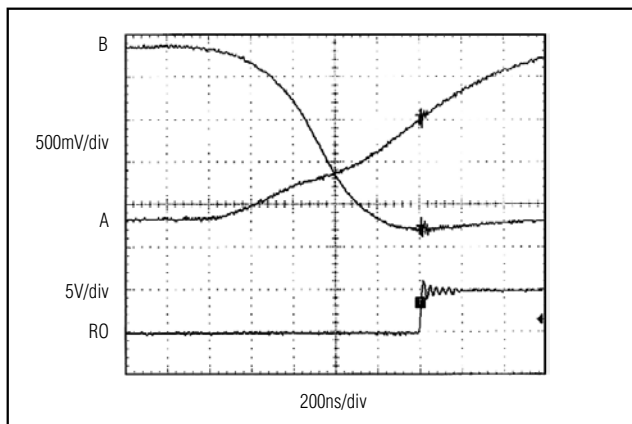


図22. MAX483E/MAX487E~MAX489Eのレシーバ $t_{pLH}$

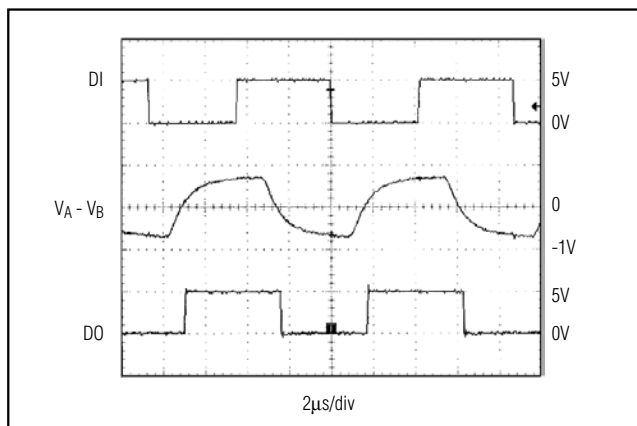


図23. MAX481E/MAX485E/MAX490E/MAX491E/MAX1487Eのシステム差動電圧(110kHzで1.2kmのケーブル駆動時)

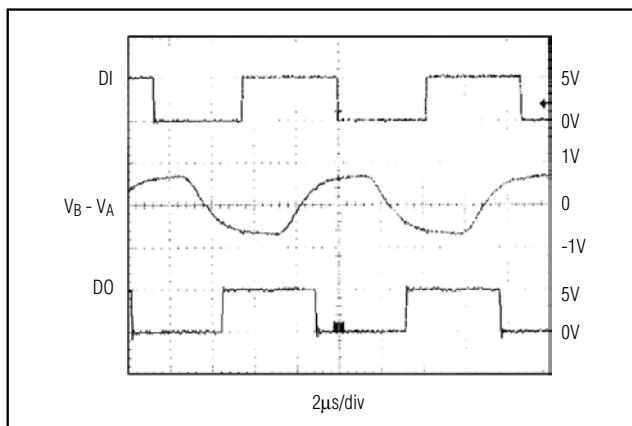


図24. MAX483E/MAX487E~MAX489Eのシステム差動電圧(110kHzで1.2kmのケーブル駆動時)

# ±15kVのESD保護、スルーレート制限 ローパワーRS-485/RS-422トランシーバ

MAX481E/MAX483E/MAX485E/MAX487E-MAX491E/MAX1487E

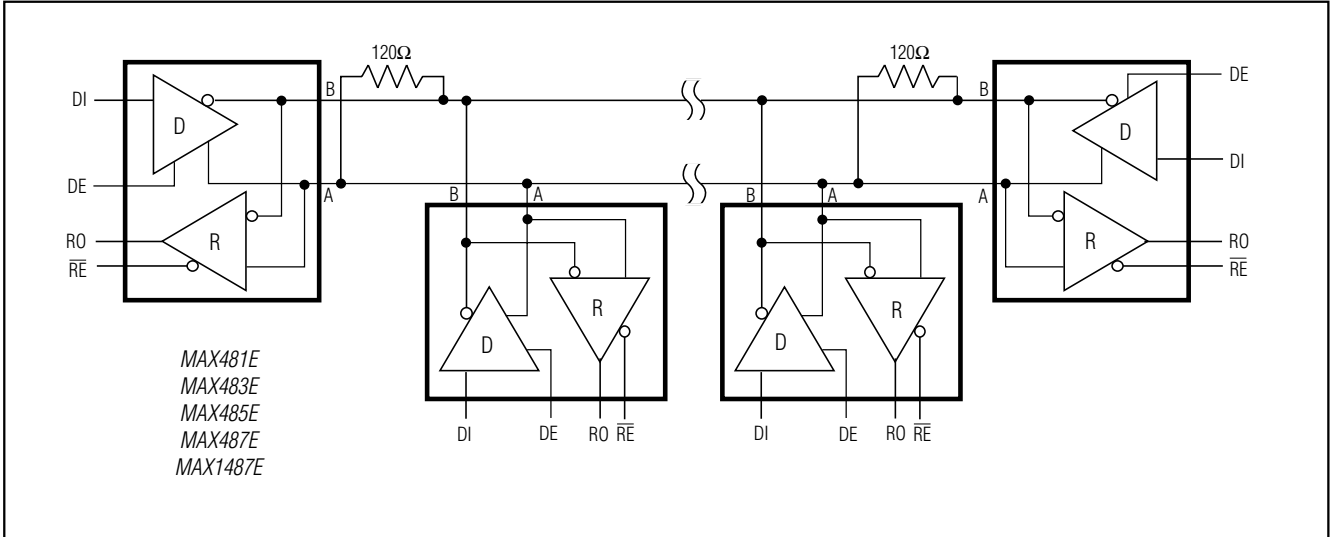


図25. MAX481E/MAX483E/MAX485E/MAX487E/MAX1487Eを用いた標準的なハーフデュプレックスのRS-485ネットワーク

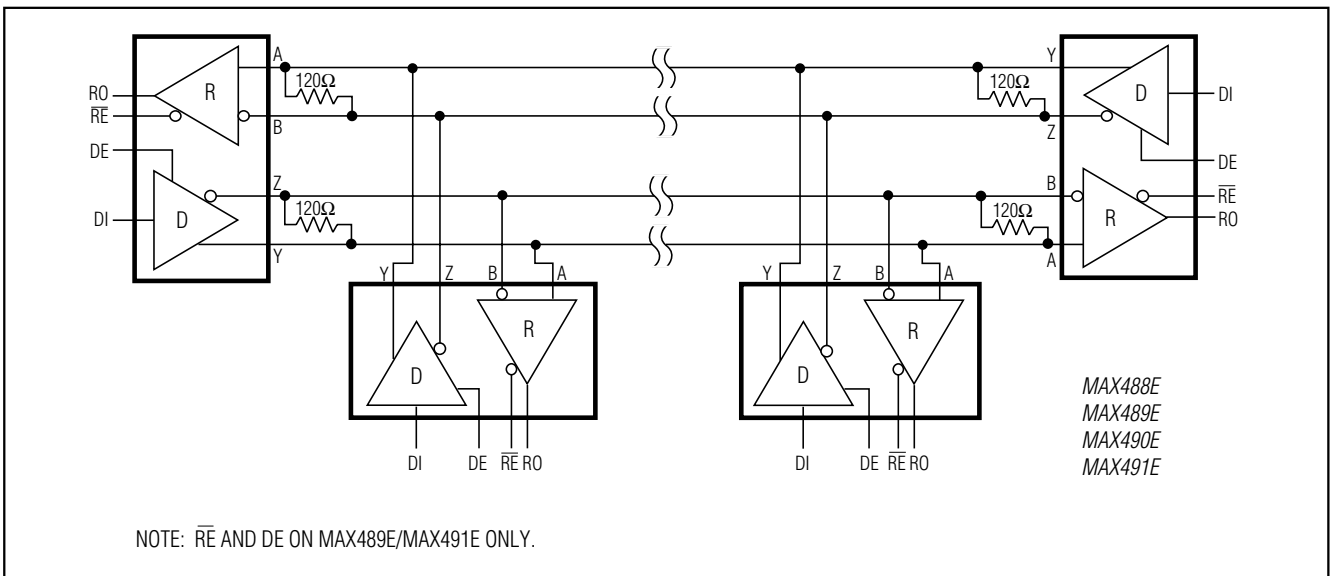


図26. MAX488E~MAX491Eを用いたフルデュプレックスのRS-485ネットワーク

# ±15kVのESD保護、スルーレート制限 ローパワーRS-485/RS-422トランシーバ

MAX481E/MAX483E/MAX485E/MAX487E-MAX491E/MAX1487E

## 型番(続き)

| PART       | TEMP RANGE     | PIN-PACKAGE    |
|------------|----------------|----------------|
| MAX485ECPA | 0°C to +70°C   | 8 Plastic DIP  |
| MAX485ECSA | 0°C to +70°C   | 8 SO           |
| MAX485EEPA | -40°C to +85°C | 8 Plastic DIP  |
| MAX485EESA | -40°C to +85°C | 8 SO           |
| MAX487ECPA | 0°C to +70°C   | 8 Plastic DIP  |
| MAX487ECSA | 0°C to +70°C   | 8 SO           |
| MAX487EEPA | -40°C to +85°C | 8 Plastic DIP  |
| MAX487EESA | -40°C to +85°C | 8 SO           |
| MAX488ECPA | 0°C to +70°C   | 8 Plastic DIP  |
| MAX488ECSA | 0°C to +70°C   | 8 SO           |
| MAX488EEPA | -40°C to +85°C | 8 Plastic DIP  |
| MAX488EESA | -40°C to +85°C | 8 SO           |
| MAX489ECPD | 0°C to +70°C   | 14 Plastic DIP |
| MAX489ECSD | 0°C to +70°C   | 14 SO          |

| PART        | TEMP RANGE     | PIN-PACKAGE    |
|-------------|----------------|----------------|
| MAX489ECPD  | -40°C to +85°C | 14 Plastic DIP |
| MAX489EESD  | -40°C to +85°C | 14 SO          |
| MAX490ECPA  | 0°C to +70°C   | 8 Plastic DIP  |
| MAX490ECSA  | 0°C to +70°C   | 8 SO           |
| MAX490EEPA  | -40°C to +85°C | 8 Plastic DIP  |
| MAX490EESA  | -40°C to +85°C | 8 SO           |
| MAX491ECPD  | 0°C to +70°C   | 14 Plastic DIP |
| MAX491ECSD  | 0°C to +70°C   | 14 SO          |
| MAX491ECPD  | -40°C to +85°C | 14 Plastic DIP |
| MAX491EESD  | -40°C to +85°C | 14 SO          |
| MAX1487ECPA | 0°C to +70°C   | 8 Plastic DIP  |
| MAX1487ECSA | 0°C to +70°C   | 8 SO           |
| MAX1487EEPA | -40°C to +85°C | 8 Plastic DIP  |
| MAX1487EESA | -40°C to +85°C | 8 SO           |

## 選択ガイド

| PART NUMBER | HALF/FULL DUPLEX | DATA RATE (Mbps) | SLEW-RATE LIMITED | LOW-POWER SHUTDOWN | RECEIVER/ DRIVER ENABLE | QUIESCENT CURRENT (μA) | NUMBER OF TRANSMITTERS ON BUS | PIN COUNT |
|-------------|------------------|------------------|-------------------|--------------------|-------------------------|------------------------|-------------------------------|-----------|
| MAX481E     | Half             | 2.5              | No                | Yes                | Yes                     | 300                    | 32                            | 8         |
| MAX483E     | Half             | 0.25             | Yes               | Yes                | Yes                     | 120                    | 32                            | 8         |
| MAX485E     | Half             | 2.5              | No                | No                 | Yes                     | 300                    | 32                            | 8         |
| MAX487E     | Half             | 0.25             | Yes               | Yes                | Yes                     | 120                    | 128                           | 8         |
| MAX488E     | Full             | 0.25             | Yes               | No                 | No                      | 120                    | 32                            | 8         |
| MAX489E     | Full             | 0.25             | Yes               | No                 | Yes                     | 120                    | 32                            | 14        |
| MAX490E     | Full             | 2.5              | No                | No                 | No                      | 300                    | 32                            | 8         |
| MAX491E     | Full             | 2.5              | No                | No                 | Yes                     | 300                    | 32                            | 14        |
| MAX1487E    | Half             | 2.5              | No                | No                 | Yes                     | 230                    | 128                           | 8         |

## チップ情報

TRANSISTOR COUNT: 295

## パッケージ

最新のパッケージ情報は、[japan.maxim-ic.com/packages](http://japan.maxim-ic.com/packages)をご参照ください。



マキシム・ジャパン株式会社 〒141-0032 東京都品川区大崎1-6-4 大崎ニューシティ 4号館 20F TEL: 03-6893-6600

Maximは完全にMaxim製品に組み込まれた回路以外の回路の使用について一切責任を負いかねます。回路特許ライセンスは明言されていません。Maximは随時予告なく回路及び仕様を変更する権利を留保します。「Electrical Characteristics (電気的特性)」の表に示すパラメータ値(min、maxの各制限値)は、このデータシートの他の場所で引用している値より優先されます。

16 Maxim Integrated Products, Inc. 160 Rio Robles, San Jose, CA 95134 USA 1-408-601-1000

© 2003 Maxim Integrated Products

MaximはMaxim Integrated Products, Inc.の登録商標です。