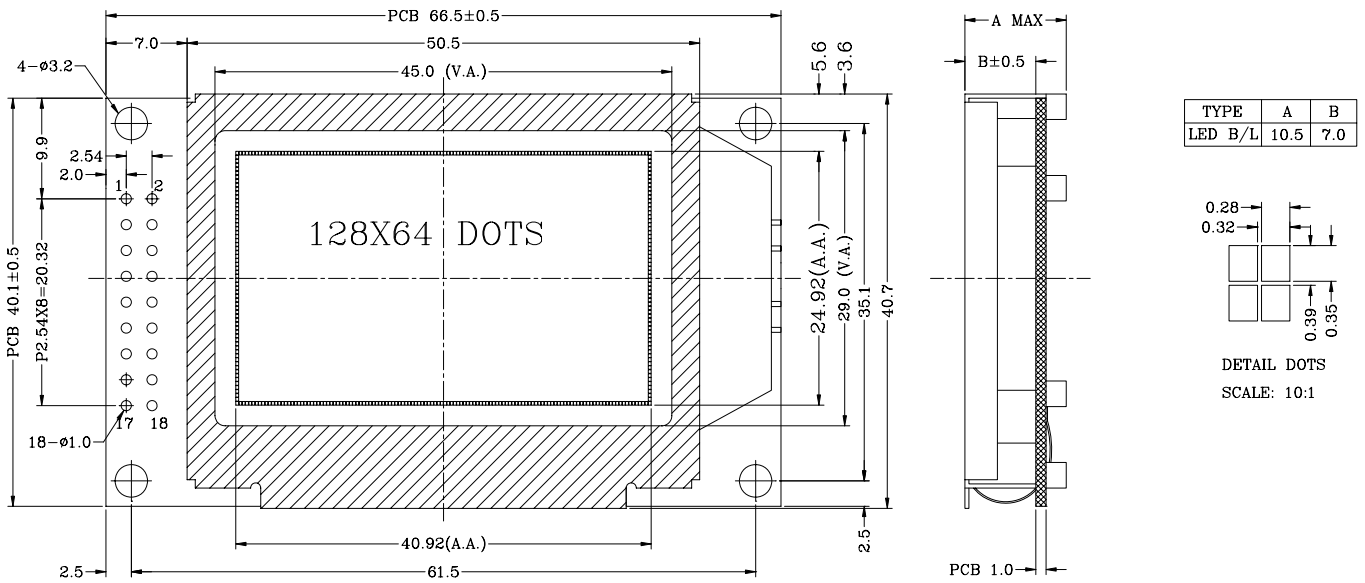


Outline Dimension



Graphic Type

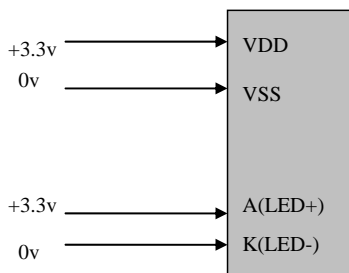
Feature :

- 128x64 dot-matrix
- FSTN/Transflective/Positive/B-W
- Backlight: White /side light
- Operating Temp.: -20°C ~ +60°C
- 1/64 duty cycle, 1/9 Bias
- Built-in Controller (NT7534 or equivalent)
- Viewing angle: 6 o'clock

Absolute Maximum Rating :

Item	Symbol	Standard value			Unit
		M _{IN}	T _{YP}	M _{AX}	
Power supply for logic	V _{DD} -V _{SS}	0.3	--	3.6	V
Input voltage	V _I	0	--	V _{DD}	V

Adjusting Display & Brightness :



Note: The voltage of VDD&LED should not exceed the absolute maximum rating.

Electrical Characteristic : (V_{SS}=0V, T_a = 25°C)

Parameter	Symbol	Condition	M _{IN}	T _{YP}	M _{AX}	Unit
Supply voltage for logic	V _{DD}	--	3.1	3.3	3.5	V
Supply current for logic	I _{DD}	--	--	1	--	mA
Operating voltage for LCD	V _{LCD}	-20°C	--	--	--	V
		+25°C	--	10.2	--	V
		+60°C	--	--	--	V
Supply voltage for Backlight	V _{BL}	--	--	3.3	--	V
Supply current for Backlight	I _{BL}	--	--	30	--	mA

Interface Pin Connections :

Pin No.	Symbol	Level	Description
1	GND	0V	Ground.
2	/CS	H/L	This is the chip select signal. When /CS1="L", then the chip select becomes active, and data/command I/O is enabled.
3	/RES	H/L	When /RES is set to "L", the settings are initialized. The reset operation is performed by the /RES signal level
4	A0	H/L	This is connected to the least significant bit of the normal MPU address bus, and it determines whether the data bits are data or a command. A0 = "H": Indicate that D0 to D7 are display data A0 = "L": Indicates that D0 to D7 are control data
5	/WR	H/L	When connected to an 8080 MPU, this is active LOW. This terminal connects to the 8080 MPU /WR signal. The signals on the data bus are latched at the rising edge of the /WR signal.
6	/RD	H/L	When connected to an 8080 MPU, it is active LOW. This pad is connected to the /RD signal of the 8080MPU, and the NT7534 data bus is in an output status when this signal is "L".
7~14	DB0~DB7	H/L	This is an 8-bit bi-directional data bus that connects to an 8-bit or 16-bit standard MPU data bus.
15	VDD	+3.3V	Supply voltage for logic operating.
16	LED-	0V	The backlight ground.
17	LED+	+3.3V	Power supply for Backlight
18	NC	--	Non-connection.