



# MicroSIZE, Single-Supply CMOS OPERATIONAL AMPLIFIERS

## MicroAmplifier™ Series

### FEATURES

- **MicroSIZE PACKAGES:**  
SOT23-5, SOT23-8
- **SINGLE-SUPPLY OPERATION**
- **RAIL-TO-RAIL OUTPUT SWING**
- **FET-INPUT:  $I_B = 10\text{pA max}$**
- **HIGH SPEED:**  
OPA337: 3MHz, 1.2V/ $\mu\text{s}$  ( $G = 1$ )  
OPA338: 12.5MHz, 4.6V/ $\mu\text{s}$  ( $G = 5$ )
- **OPERATION FROM 2.5V to 5.5V**
- **HIGH OPEN-LOOP GAIN: 120dB**
- **LOW QUIESCENT CURRENT: 525 $\mu\text{A/amp}$**
- **SINGLE AND DUAL VERSIONS**

### APPLICATIONS

- **BATTERY-POWERED INSTRUMENTS**
- **PHOTODIODE PRE-AMPS**
- **MEDICAL INSTRUMENTS**
- **TEST EQUIPMENT**
- **AUDIO SYSTEMS**
- **DRIVING ADCs**
- **CONSUMER PRODUCTS**

SPIICE model available at [www.ti.com](http://www.ti.com).

### DESCRIPTION

The OPA337 and OPA338 series rail-to-rail output CMOS operational amplifiers are designed for low cost and miniature applications. Packaged in the SOT23-8, the OPA2337EA and OPA2338EA are Texas Instruments' smallest dual op amps. At 1/4 the size of a conventional SO-8 surface-mount, they are ideal for space-sensitive applications.

Utilizing advanced CMOS technology, the OPA337 and OPA338 op amps provide low bias current, high-speed operation, high open-loop gain, and rail-to-rail output swing. They operate on a single supply with operation as low as 2.5V while drawing only 525 $\mu\text{A}$  quiescent current. In addition, the input common-mode voltage range includes ground—ideal for single-supply operation.

The OPA337 series is unity-gain stable. The OPA338 series is optimized for gains greater than or equal to 5. They are easy-to-use and free from phase inversion and overload problems found in some other op amps. Excellent performance is maintained as the amplifiers swing to their specified limits. The dual versions feature completely independent circuitry for lowest crosstalk and freedom from interaction, even when overdriven or overloaded.

| PACKAGE | G = 1 STABLE  |              | G ≥ 5 STABLE  |              |
|---------|---------------|--------------|---------------|--------------|
|         | SINGLE OPA337 | DUAL OPA2337 | SINGLE OPA338 | DUAL OPA2338 |
| SOT23-5 | ✓             |              | ✓             |              |
| SOT23-8 |               | ✓            |               | ✓            |
| MSOP-8  | ✓             |              |               |              |
| SO-8    | ✓             | ✓            | ✓             | ✓            |
| DIP-8   | ✓             | ✓            |               |              |

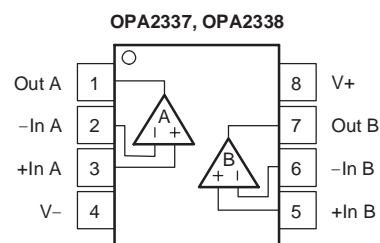


DIP-8<sup>(1)</sup>, SO-8, MSOP-8<sup>(1)</sup>  
NC = No Connection



SOT23-5

NOTE: (1) DIP AND MSOP-8 versions for OPA337, OPA2337 only.



DIP-8<sup>(1)</sup>, SO-8, SOT23-8



Please be aware that an important notice concerning availability, standard warranty, and use in critical applications of Texas Instruments semiconductor products and disclaimers thereto appears at the end of this data sheet.

All trademarks are the property of their respective owners.

**ABSOLUTE MAXIMUM RATINGS(1)**

|   |                            |
|---|----------------------------|
| Supply Voltage .....                    | 7.5V                       |
| Input Voltage(2) .....                  | (V-) – 0.5V to (V+) + 0.5V |
| Input Current(2) .....                  | 10mA                       |
| Output Short Circuit(3) .....           | Continuous                 |
| Operating Temperature .....             | –55°C to +125°C            |
| Storage Temperature .....               | –55°C to +125°C            |
| Junction Temperature .....              | 150°C                      |
| Lead Temperature (soldering, 10s) ..... | 300°C                      |

- (1) Stresses above these ratings may cause permanent damage. Exposure to absolute maximum conditions for extended periods may degrade device reliability. These are stress ratings only, and functional operation of the device at these or any other conditions beyond those specified is not supported.
- (2) Input signal voltage is limited by internal diodes connected to power supplies. See text.
- (3) Short-circuit to ground, one amplifier per package.



This integrated circuit can be damaged by ESD. Texas Instruments recommends that all integrated circuits be handled with appropriate precautions. Failure to observe proper handling and installation procedures can cause damage.

ESD damage can range from subtle performance degradation to complete device failure. Precision integrated circuits may be more susceptible to damage because very small parametric changes could cause the device not to meet its published specifications.

**ORDERING INFORMATION(1)**

| PRODUCT       | DESCRIPTION             | PACKAGE-LEAD          | PACKAGE DESIGNATOR | SPECIFIED TEMPERATURE RANGE | PACKAGE MARKING | ORDERING NUMBER | TRANSPORT MEDIA, QUANTITY |
|---------------|-------------------------|-----------------------|--------------------|-----------------------------|-----------------|-----------------|---------------------------|
| OPA337 Series | Single,<br>G = 1 Stable | SOT23-5               | DBV                | –40°C to +85°C              | C37             | OPA337NA/250    | Tape and Reel, 250        |
|               |                         | MSOP-8                | DGK                |                             | G37             | OPA337NA/3K     | Tape and Reel, 3000       |
|               |                         | DIP-8                 | P                  |                             | OPA337PA        | OPA337EA/250    | Tape and Reel, 250        |
|               |                         | SO-8<br>Surface-Mount | D                  |                             | OPA337UA        | OPA337EA/2K5    | Tape and Reel, 2500       |
| OPA2337       | Dual,<br>G = 1 Stable   | SOT23-8               | DCN                | –40°C to +85°C              | A7              | OPA2337EA/250   | Tape and Reel, 250        |
|               |                         | DIP-8                 | P                  |                             | OPA2337PA       | OPA2337EA/3K    | Tape and Reel, 3000       |
|               |                         | SO-8                  | D                  |                             | OPA2337UA       | OPA2337PA       | Rails                     |
|               |                         | Surface-Mount         |                    |                             | OPA2337UA       | OPA2337UA       | Rails                     |
| OPA338 Series | Single,<br>G ≥ 5 Stable | SOT23-5               | DBV                | –40°C to +85°C              | A38             | OPA338NA/250    | Tape and Reel, 250        |
|               |                         | SO-8                  | D                  |                             | OPA338UA        | OPA338NA/3K     | Tape and Reel, 3000       |
|               |                         | Surface-Mount         |                    |                             | OPA338UA        | OPA338UA        | Rails                     |
|               |                         |                       |                    |                             | OPA338UA        | OPA338UA/2K5    | Tape and Reel, 2500       |
| OPA2338       | Dual,<br>G ≥ 5 Stable   | SOT23-8               | DCN                | –40°C to +85°C              | A8              | OPA2338EA/250   | Tape and Reel, 250        |
|               |                         | SO-8                  | D                  |                             | OPA2338UA       | OPA2338EA/3K    | Tape and Reel, 3000       |
|               |                         | Surface-Mount         |                    |                             | OPA2338UA       | OPA2338UA       | Rails                     |
|               |                         |                       |                    |                             | OPA2338UA       | OPA2338UA/2K5   | Tape and Reel, 2500       |

(1) For the most current package and ordering information, see the Package Option Addendum located at the end of this data sheet.

**ELECTRICAL CHARACTERISTICS:  $V_S = 2.7V$  to  $5.5V$**

**Boldface** limits apply over the specified temperature range,  $-40^{\circ}C$  to  $+85^{\circ}C$ ,  $V_S = 5V$ .

At  $T_A = +25^{\circ}C$  and  $R_L = 25k\Omega$  connected to  $V_S/2$ , unless otherwise noted.

| PARAMETER   | CONDITION    | OPA337, OPA2337,<br>OPA338, OPA2338                                   |                   |                             | UNIT           |    |
|---|--------------|---|-------------------|-----------------------------|----------------|----|
|   |              | MIN   | TYP(1)            | MAX                         |                |    |
| <b>OFFSET VOLTAGE</b>   |              |   |                   |                             |                |    |
| Input Offset Voltage<br>$T_A = -40^{\circ}C$ to $+85^{\circ}C$            | $V_{OS}$     |   | $\pm 0.5$         | $\pm 3$                     | mV             |    |
| vs Temperature  | $dV_{OS}/dT$ |   | $\pm 2$           | <b><math>\pm 3.5</math></b> | mV             |    |
| vs Power-Supply Rejection Ratio<br>$T_A = -40^{\circ}C$ to $+85^{\circ}C$ | PSRR         |   | 25                | 125                         | $\mu V/V$      |    |
| Channel Separation (dual versions)  | dc           |   | 0.3               | <b>125</b>                  | $\mu V/V$      |    |
| <b>INPUT BIAS CURRENT</b>   |              |   |                   |                             |                |    |
| Input Bias Current<br>$T_A = -40^{\circ}C$ to $+85^{\circ}C$              | $I_B$        |   | $\pm 0.2$         | $\pm 10$                    | pA             |    |
| Input Offset Current  | $I_{OS}$     |   | See Typical Curve |                             | pA             |    |
| <b>NOISE</b>  |              |   |                   |                             |                |    |
| Input Voltage Noise, $f = 0.1Hz$ to $10Hz$                                |              |   | 6                 |                             | $\mu V_{PP}$   |    |
| Input Voltage Noise Density, $f = 1kHz$                                   | $e_n$        |   | 26                |                             | $nV/\sqrt{Hz}$ |    |
| Current Noise Density, $f = 1kHz$   | $i_n$        |   | 0.6               |                             | $fA/\sqrt{Hz}$ |    |
| <b>INPUT VOLTAGE RANGE</b>  |              |   |                   |                             |                |    |
| Common-Mode Voltage Range   | $V_{CM}$     | $T_A = -40^{\circ}C$ to $+85^{\circ}C$                                | <b>-0.2</b>       |                             | $(V+) - 1.2$   | V  |
| Common-Mode Rejection Ratio   | CMRR         | $-0.2V < V_{CM} < (V+) - 1.2V$  | 74                | 90                          |                | dB |
|   |              | $-0.2V < V_{CM} < (V+) - 1.2V$  | <b>74</b>         |                             |                | dB |
| <b>INPUT IMPEDANCE</b>  |              |   |                   |                             |                |    |
| Differential  |              |   |                   | $10^{13}    2$              | $\Omega    pF$ |    |
| Common-Mode   |              |   |                   | $10^{13}    4$              | $\Omega    pF$ |    |
| <b>OPEN-LOOP GAIN</b>   |              |   |                   |                             |                |    |
| Open-Loop Voltage Gain<br>$T_A = -40^{\circ}C$ to $+85^{\circ}C$          | $A_{OL}$     | $R_L = 25k\Omega, 125mV < V_O < (V+) - 125mV$                         | 100               | 120                         | dB             |    |
|   |              | <b><math>R_L = 25k\Omega, 125mV &lt; V_O &lt; (V+) - 125mV</math></b> | <b>100</b>        |                             | dB             |    |
|   |              | $R_L = 5k\Omega, 500mV < V_O < (V+) - 500mV$                          | 100               | 114                         | dB             |    |
|   |              | <b><math>R_L = 5k\Omega, 500mV &lt; V_O &lt; (V+) - 500mV</math></b>  | <b>100</b>        |                             | dB             |    |
| <b>OPA337 FREQUENCY RESPONSE</b>  |              |   |                   |                             |                |    |
| Gain-Bandwidth Product  | GBW          | $V_S = 5V, G = 1$   |                   | 3                           | MHz            |    |
| Slew Rate   | SR           | $V_S = 5V, G = 1$   |                   | 1.2                         | $V/\mu s$      |    |
| Settling Time: 0.1%   |              | $V_S = 5V, 2V$ Step, $C_L = 100pF, G = 1$                             |                   | 2                           | $\mu s$        |    |
| 0.01%   |              | $V_S = 5V, 2V$ Step, $C_L = 100pF, G = 1$                             |                   | 2.5                         | $\mu s$        |    |
| Overload Recovery Time  |              | $V_{IN} \times G = V_S$   |                   | 2                           | $\mu s$        |    |
| Total Harmonic Distortion + Noise   | THD+N        | $V_S = 5V, V_O = 3V_{PP}, G = 1, f = 1kHz$                            |                   | 0.001                       | %              |    |
| <b>OPA338 FREQUENCY RESPONSE</b>  |              |   |                   |                             |                |    |
| Gain-Bandwidth Product  | GBW          | $V_S = 5V, G = 5$   |                   | 12.5                        | MHz            |    |
| Slew Rate   | SR           | $V_S = 5V, G = 5$   |                   | 4.6                         | $V/\mu s$      |    |
| Settling Time: 0.1%   |              | $V_S = 5V, 2V$ Step, $C_L = 100pF, G = 5$                             |                   | 1.4                         | $\mu s$        |    |
| 0.01%   |              | $V_S = 5V, 2V$ Step, $C_L = 100pF, G = 5$                             |                   | 1.9                         | $\mu s$        |    |
| Overload Recovery Time  |              | $V_{IN} \times G = V_S$   |                   | 0.5                         | $\mu s$        |    |
| Total Harmonic Distortion + Noise   | THD+N        | $V_S = 5V, V_O = 3V_{PP}, G = 5, f = 1kHz$                            |                   | 0.0035                      | %              |    |

(1)  $V_S = 5V$ .

(2) Output voltage swings are measured between the output and negative and positive power-supply rails.

**ELECTRICAL CHARACTERISTICS:  $V_S = 2.7V$  to  $5.5V$  (continued)**

**Boldface** limits apply over the specified temperature range,  $-40^\circ\text{C}$  to  $+85^\circ\text{C}$ ,  $V_S = 5V$ .

At  $T_A = +25^\circ\text{C}$  and  $R_L = 25k\Omega$  connected to  $V_S/2$ , unless otherwise noted.

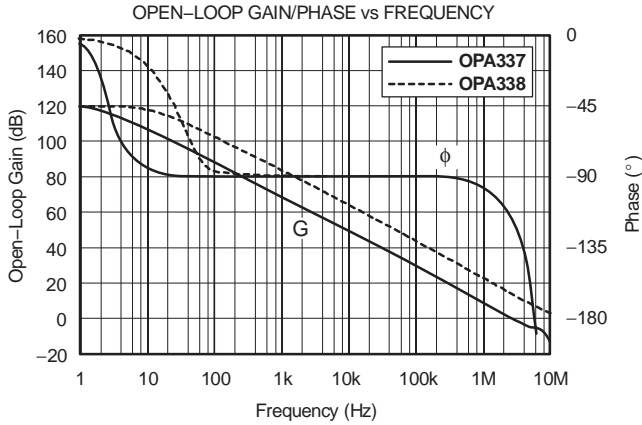
| PARAMETER  | CONDITION   | OPA337, OPA2337,<br>OPA338, OPA2338 |         |            | UNIT               |
|--|---|-------------------------------------|---------|------------|--------------------|
|  |   | MIN                                 | TYP(1)  | MAX        |                    |
| <b>OUTPUT</b>                                    |   |                                     |         |            |                    |
| Voltage Output Swing from Rail(2)                | $R_L = 25k\Omega, A_{OL} \geq 100\text{dB}$                   |                                     | 40      | 125        | mV                 |
| $T_A = -40^\circ\text{C}$ to $+85^\circ\text{C}$ | <b><math>R_L = 25k\Omega, A_{OL} \geq 100\text{dB}</math></b> |                                     |         | <b>125</b> | mV                 |
|  | $R_L = 5k\Omega, A_{OL} \geq 100\text{dB}$                    |                                     | 150     | 500        | mV                 |
| $T_A = -40^\circ\text{C}$ to $+85^\circ\text{C}$ | <b><math>R_L = 5k\Omega, A_{OL} \geq 100\text{dB}</math></b>  |                                     |         | <b>500</b> | mV                 |
| Short-Circuit Current                            |   |                                     | $\pm 9$ |            | mA                 |
| Capacitive Load Drive                            |   | See Typical Curve                   |         |            |                    |
| <b>POWER SUPPLY</b>                              |   |                                     |         |            |                    |
| Specified Voltage Range                          | $V_S$   | <b>2.7</b>                          |         | <b>5.5</b> | V                  |
| Minimum Operating Voltage                        |   |                                     | 2.5     |            | V                  |
| Quiescent Current (per amplifier)                | $I_Q$   |                                     | 0.525   | 1          | mA                 |
| $T_A = -40^\circ\text{C}$ to $+85^\circ\text{C}$ | $I_O = 0$<br><b><math>I_O = 0</math></b>                      |                                     |         | <b>1.2</b> | mA                 |
| <b>TEMPERATURE RANGE</b>                         |   |                                     |         |            |                    |
| Specified Range                                  |   | -40                                 |         | +85        | $^\circ\text{C}$   |
| Operating Range                                  |   | -55                                 |         | +125       | $^\circ\text{C}$   |
| Storage Range                                    |   | -55                                 |         | +125       | $^\circ\text{C}$   |
| Thermal Resistance                               | $\theta_{JA}$   |                                     |         |            |                    |
| SOT23-5 Surface-Mount                            |   |                                     | 200     |            | $^\circ\text{C/W}$ |
| SOT23-8 Surface-Mount                            |   |                                     | 200     |            | $^\circ\text{C/W}$ |
| MSOP-8   |   |                                     | 150     |            | $^\circ\text{C/W}$ |
| SO-8 Surface-Mount                               |   |                                     | 150     |            | $^\circ\text{C/W}$ |
| DIP-8  |   |                                     | 100     |            | $^\circ\text{C/W}$ |

(1)  $V_S = 5V$ .

(2) Output voltage swings are measured between the output and negative and positive power-supply rails.

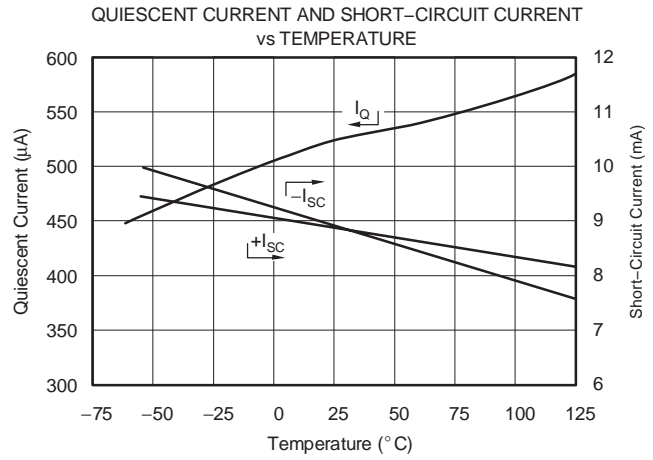
## TYPICAL CHARACTERISTICS

At  $T_A = +25^\circ\text{C}$ ,  $V_S = +5\text{V}$ , and  $R_L = 25\text{k}\Omega$  connected to  $V_S/2$ , unless otherwise noted.



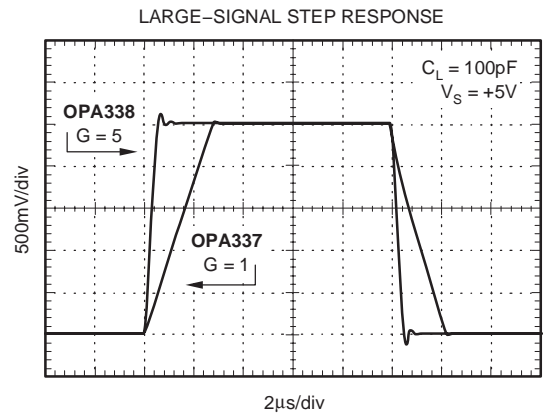
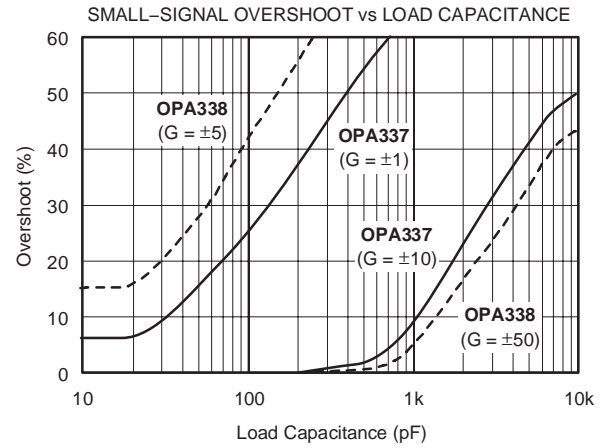
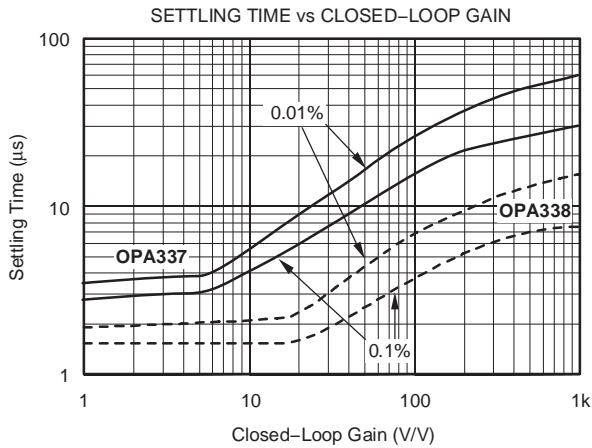
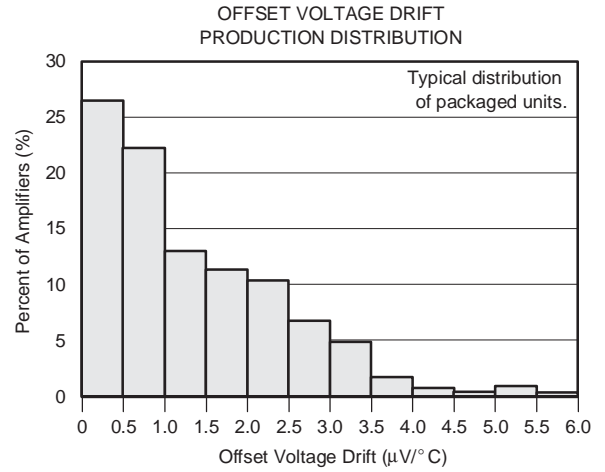
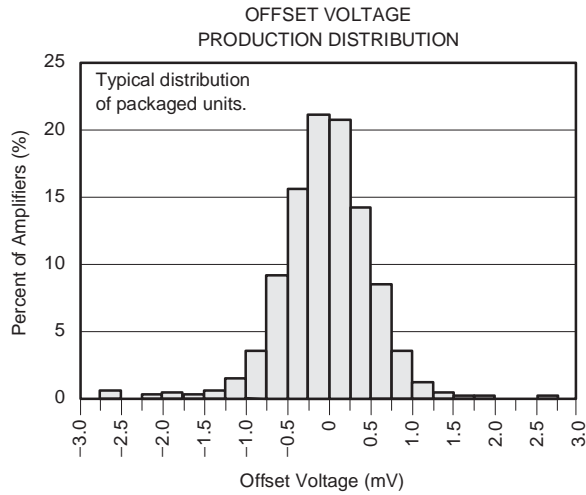
**TYPICAL CHARACTERISTICS (continued)**

At  $T_A = +25^\circ\text{C}$ ,  $V_S = +5\text{V}$ , and  $R_L = 25\text{k}\Omega$  connected to  $V_S/2$ , unless otherwise noted.



**TYPICAL CHARACTERISTICS (continued)**

At  $T_A = +25^\circ\text{C}$ ,  $V_S = +5\text{V}$ , and  $R_L = 25\text{k}\Omega$  connected to  $V_S/2$ , unless otherwise noted.



## APPLICATIONS INFORMATION

The OPA337 and OPA338 series are fabricated on a state-of-the-art CMOS process. The OPA337 series is unity-gain stable. The OPA338 series is optimized for gains greater than or equal to 5. Both are suitable for a wide range of general-purpose applications. Power-supply pins should be bypassed with 0.01 $\mu$ F ceramic capacitors.

### OPERATING VOLTAGE

The OPA337 series and OPA338 series can operate from a +2.5V to +5.5V single supply with excellent performance. Unlike most op amps which are specified at only one supply voltage, these op amps are specified for real-world applications; a single limit applies throughout the +2.7V to +5.5V supply range. This allows a designer to have the same assured performance at any supply voltage within the specified voltage range. Most behavior remains unchanged throughout the full operating voltage range. Parameters which vary significantly with operating voltage are shown in the Typical Characteristic curves.

### INPUT VOLTAGE

The input common-mode range extends from (V-) - 0.2V to (V+) - 1.2V. For normal operation, inputs should be limited to this range. The absolute maximum input voltage is 500mV beyond the supplies. Inputs greater than the input common-mode range but less than maximum input voltage, while not valid, will not cause any damage to the op amp. Furthermore, if input current is limited the inputs may go beyond the power supplies without phase inversion (as shown in Figure 1) unlike some other op amps.

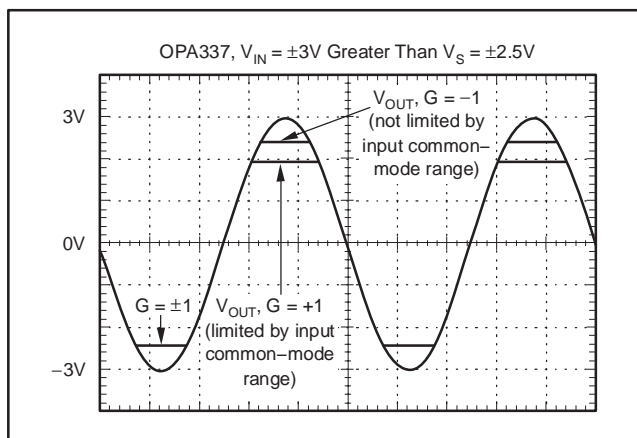


Figure 1. OPA337—No Phase Inversion with Inputs Greater than the Power-Supply Voltage

Normally, input currents are 0.2pA. However, large inputs (greater than 500mV beyond the supply rails) can cause excessive current to flow in or out of the input pins. Therefore, as well as keeping the input voltage below the maximum rating, it is also important to limit the input current to less than 10mA. This is easily accomplished with an input resistor as shown in Figure 2.

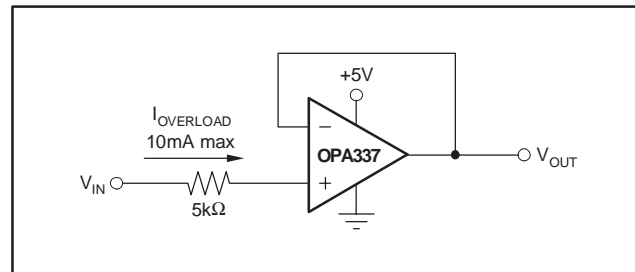


Figure 2. Input Current Protection for Voltages Exceeding the Supply Voltage

### USING THE OPA338 IN LOW GAINS

The OPA338 series is optimized for gains greater than or equal to 5. It has significantly wider bandwidth (12.5MHz) and faster slew rate (4.6V/ $\mu$ s) when compared to the OPA337 series. The OPA338 series can be used in lower gain configurations at low frequencies while maintaining its high slew rate with the proper compensation.

Figure 3 shows the OPA338 in a unity-gain buffer configuration. At dc, the compensation capacitor  $C_1$  is effectively open resulting in 100% feedback (closed-loop gain = 1). As frequency increases,  $C_1$  becomes lower impedance and closed-loop gain increases, eventually becoming  $1 + R_2/R_1$  (in this case 5, which is equal to the minimum gain required for stability).

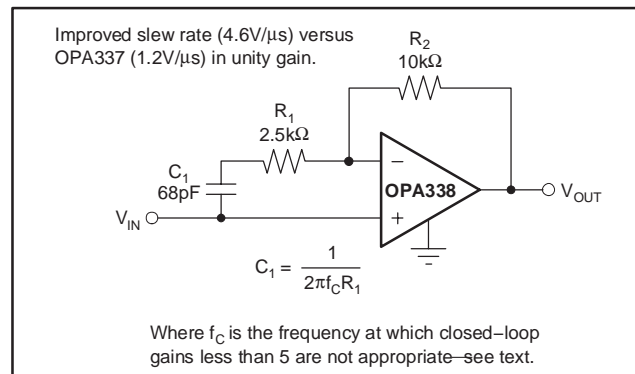


Figure 3. Compensation of the OPA338 for Unity-Gain Buffer



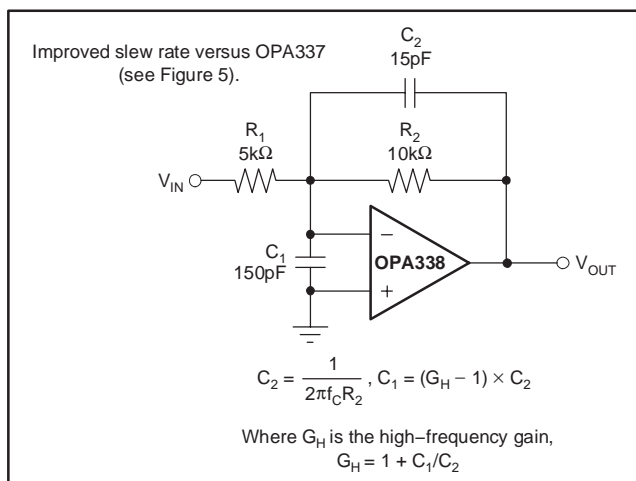
The required compensation capacitor value can be determined from the following equation:

$$C_1 = 1/(2\pi f_C R_1)$$

Since  $f_C$  may shift with process variations, it is recommended that a value less than  $f_C$  be used for determining  $C_1$ . With  $f_C = 1\text{MHz}$  and  $R_1 = 2.5\text{k}\Omega$ , the compensation capacitor is about 68pF.

The selection of the compensation capacitor  $C_1$  is important. A proper value ensures that the closed-loop circuit gain is greater than or equal to 5 at high frequencies. Referring to the *Open-Loop Gain vs Frequency* plot in the Typical Characteristics section, the OPA338 gain line (dashed in the curve) has a constant slope ( $-20\text{dB/decade}$ ) up to approximately 3MHz. This frequency is referred to as  $f_C$ . Beyond  $f_C$  the slope of the curve increases, suggesting that closed-loop gains less than 5 are not appropriate.

Figure 4 shows a compensation technique using an inverting configuration. The low-frequency gain is set by the resistor ratio while the high-frequency gain is set by the capacitor ratio. As with the noninverting circuit, for frequencies above  $f_C$  the gain must be greater than the recommended minimum stable gain for the op amp.



**Figure 4. Inverting Compensation Circuit of the OPA338 for Low Gain**

Resistors  $R_1$  and  $R_2$  are chosen to set the desired dc signal gain. Then the value for  $C_2$  is determined as follows:

$$C_2 = 1/(2\pi f_C R_2)$$

$C_1$  is determined from the desired high-frequency gain ( $G_H$ ):

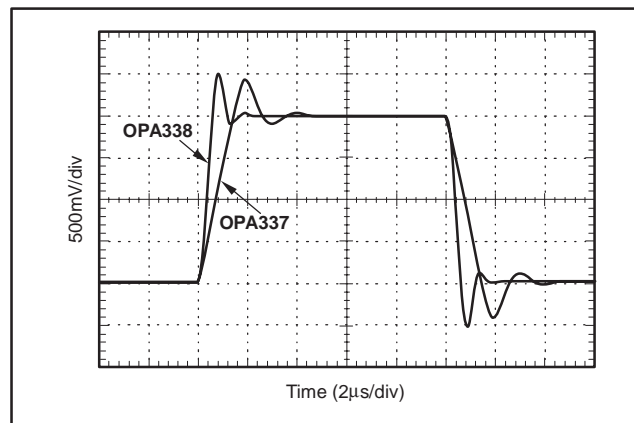
$$C_1 = (G_H - 1) \times C_2$$

For a desired dc gain of 2 and high-frequency gain of 10, the following resistor and capacitor values result:

$$\begin{aligned} R_1 &= 10\text{k}\Omega & C_1 &= 150\text{pF} \\ R_2 &= 5\text{k}\Omega & C_2 &= 15\text{pF} \end{aligned}$$

The capacitor values shown are the nearest standard values. Capacitor values may need to be adjusted slightly to optimize performance. For more detailed information, consult the section on *Low Gain Compensation* in the OPA846 data sheet (SBOS250) located at www.ti.com.

Figure 5 shows the large-signal transient response using the circuit given in Figure 4. As shown, the OPA338 is stable in low gain applications and provides improved slew rate performance when compared to the OPA337.



**Figure 5.  $G = 2$ , Slew-Rate Comparison of the OPA338 and the OPA337**

## TYPICAL APPLICATION

See Figure 6 for the OPA2337 in a typical application. The ADS7822 is a 12-bit, micropower, sampling analog-to-digital converter available in the tiny MSOP-8 package. As with the OPA2337, it operates with a supply voltage as low as +2.7V. When used with the miniature SOT23-8 package of the OPA2337, the circuit is ideal for space-limited and low-power applications. In addition, the OPA2337's high input impedance allows large value resistors to be used which results in small physical capacitors, further reducing circuit size. For further information, consult the ADS7822 data sheet (SBAS062) located at www.ti.com.



Figure 6. Low-Power, Single-Supply, Speech Bandpass Filtered Data Acquisition System



Figure 7. Recommended SOT23-5 and SOT23-8 Solder Footprints

**PACKAGING INFORMATION**

| Orderable Device | Status<br>(1) | Package Type | Package Drawing | Pins | Package Qty | Eco Plan<br>(2)         | Lead/Ball Finish<br>(6) | MSL Peak Temp<br>(3) | Op Temp (°C) | Device Marking<br>(4/5) | Samples                 |
|------------------|---------------|--------------|-----------------|------|-------------|-------------------------|-------------------------|----------------------|--------------|-------------------------|-------------------------|
| OPA2337EA/250    | ACTIVE        | SOT-23       | DCN             | 8    | 250         | Green (RoHS & no Sb/Br) | CU NIPDAU               | Level-2-260C-1 YEAR  |              | A7                      | <a href="#">Samples</a> |
| OPA2337EA/250G4  | ACTIVE        | SOT-23       | DCN             | 8    | 250         | Green (RoHS & no Sb/Br) | CU NIPDAU               | Level-2-260C-1 YEAR  |              | A7                      | <a href="#">Samples</a> |
| OPA2337EA/3K     | ACTIVE        | SOT-23       | DCN             | 8    | 3000        | Green (RoHS & no Sb/Br) | CU NIPDAU               | Level-2-260C-1 YEAR  |              | A7                      | <a href="#">Samples</a> |
| OPA2337EA/3KG4   | ACTIVE        | SOT-23       | DCN             | 8    | 3000        | Green (RoHS & no Sb/Br) | CU NIPDAU               | Level-2-260C-1 YEAR  |              | A7                      | <a href="#">Samples</a> |
| OPA2337PA        | ACTIVE        | PDIP         | P               | 8    | 50          | Green (RoHS & no Sb/Br) | CU NIPDAU               | N / A for Pkg Type   |              | OPA2337PA               | <a href="#">Samples</a> |
| OPA2337PAG4      | ACTIVE        | PDIP         | P               | 8    | 50          | Green (RoHS & no Sb/Br) | CU NIPDAU               | N / A for Pkg Type   |              | OPA2337PA               | <a href="#">Samples</a> |
| OPA2337UA        | ACTIVE        | SOIC         | D               | 8    | 75          | Green (RoHS & no Sb/Br) | CU NIPDAU               | Level-2-260C-1 YEAR  |              | OPA<br>2337UA           | <a href="#">Samples</a> |
| OPA2337UA/2K5    | ACTIVE        | SOIC         | D               | 8    | 2500        | Green (RoHS & no Sb/Br) | CU NIPDAU               | Level-2-260C-1 YEAR  | -40 to 85    | OPA<br>2337UA           | <a href="#">Samples</a> |
| OPA2337UA/2K5G4  | ACTIVE        | SOIC         | D               | 8    | 2500        | Green (RoHS & no Sb/Br) | CU NIPDAU               | Level-2-260C-1 YEAR  | -40 to 85    | OPA<br>2337UA           | <a href="#">Samples</a> |
| OPA2337UAG4      | ACTIVE        | SOIC         | D               | 8    | 75          | Green (RoHS & no Sb/Br) | CU NIPDAU               | Level-2-260C-1 YEAR  |              | OPA<br>2337UA           | <a href="#">Samples</a> |
| OPA2338EA/250    | ACTIVE        | SOT-23       | DCN             | 8    | 250         | Green (RoHS & no Sb/Br) | CU NIPDAU               | Level-1-260C-UNLIM   |              | A8                      | <a href="#">Samples</a> |
| OPA2338EA/250G4  | ACTIVE        | SOT-23       | DCN             | 8    |             | TBD                     | Call TI                 | Call TI              |              |                         | <a href="#">Samples</a> |
| OPA2338EA/3K     | ACTIVE        | SOT-23       | DCN             | 8    | 3000        | Green (RoHS & no Sb/Br) | CU NIPDAU               | Level-1-260C-UNLIM   | -40 to 85    | A8                      | <a href="#">Samples</a> |
| OPA2338EA/3KG4   | ACTIVE        | SOT-23       | DCN             | 8    | 3000        | Green (RoHS & no Sb/Br) | CU NIPDAU               | Level-1-260C-UNLIM   | -40 to 85    | A8                      | <a href="#">Samples</a> |
| OPA2338UA        | ACTIVE        | SOIC         | D               | 8    | 75          | Green (RoHS & no Sb/Br) | CU NIPDAU               | Level-2-260C-1 YEAR  |              | OPA<br>2338UA           | <a href="#">Samples</a> |
| OPA2338UA/2K5    | ACTIVE        | SOIC         | D               | 8    | 2500        | Green (RoHS & no Sb/Br) | CU NIPDAU               | Level-2-260C-1 YEAR  | -40 to 85    | OPA<br>2338UA           | <a href="#">Samples</a> |
| OPA2338UA/2K5G4  | ACTIVE        | SOIC         | D               | 8    | 2500        | Green (RoHS & no Sb/Br) | CU NIPDAU               | Level-2-260C-1 YEAR  | -40 to 85    | OPA<br>2338UA           | <a href="#">Samples</a> |

| Orderable Device | Status<br>(1) | Package Type | Package Drawing | Pins | Package Qty | Eco Plan<br>(2)         | Lead/Ball Finish<br>(6) | MSL Peak Temp<br>(3) | Op Temp (°C) | Device Marking<br>(4/5) | Samples                 |
|------------------|---------------|--------------|-----------------|------|-------------|-------------------------|-------------------------|----------------------|--------------|-------------------------|-------------------------|
| OPA2338UAG4      | ACTIVE        | SOIC         | D               | 8    | 75          | Green (RoHS & no Sb/Br) | CU NIPDAU               | Level-2-260C-1 YEAR  |              | OPA<br>2338UA           | <a href="#">Samples</a> |
| OPA337EA/250     | ACTIVE        | VSSOP        | DGK             | 8    | 250         | Green (RoHS & no Sb/Br) | CU NIPDAUAG             | Level-2-260C-1 YEAR  | -40 to 85    | G37                     | <a href="#">Samples</a> |
| OPA337NA/250     | ACTIVE        | SOT-23       | DBV             | 5    | 250         | Green (RoHS & no Sb/Br) | CU NIPDAU               | Level-1-260C-UNLIM   | -40 to 85    | C37                     | <a href="#">Samples</a> |
| OPA337NA/250G4   | ACTIVE        | SOT-23       | DBV             | 5    | 250         | Green (RoHS & no Sb/Br) | CU NIPDAU               | Level-1-260C-UNLIM   | -40 to 85    | C37                     | <a href="#">Samples</a> |
| OPA337NA/3K      | ACTIVE        | SOT-23       | DBV             | 5    | 3000        | Green (RoHS & no Sb/Br) | CU NIPDAU               | Level-1-260C-UNLIM   | -40 to 85    | C37                     | <a href="#">Samples</a> |
| OPA337NA/3KG4    | ACTIVE        | SOT-23       | DBV             | 5    | 3000        | Green (RoHS & no Sb/Br) | CU NIPDAU               | Level-1-260C-UNLIM   | -40 to 85    | C37                     | <a href="#">Samples</a> |
| OPA337PA         | ACTIVE        | PDIP         | P               | 8    | 50          | Green (RoHS & no Sb/Br) | CU NIPDAU               | N / A for Pkg Type   | -40 to 85    | OPA337PA                | <a href="#">Samples</a> |
| OPA337PAG4       | ACTIVE        | PDIP         | P               | 8    | 50          | Green (RoHS & no Sb/Br) | CU NIPDAU               | N / A for Pkg Type   | -40 to 85    | OPA337PA                | <a href="#">Samples</a> |
| OPA337UA         | ACTIVE        | SOIC         | D               | 8    | 75          | Green (RoHS & no Sb/Br) | CU NIPDAU               | Level-2-260C-1 YEAR  | -40 to 85    | OPA<br>337UA            | <a href="#">Samples</a> |
| OPA337UA/2K5     | ACTIVE        | SOIC         | D               | 8    | 2500        | Green (RoHS & no Sb/Br) | CU NIPDAU               | Level-2-260C-1 YEAR  | -40 to 85    | OPA<br>337UA            | <a href="#">Samples</a> |
| OPA337UA/2K5G4   | ACTIVE        | SOIC         | D               | 8    | 2500        | Green (RoHS & no Sb/Br) | CU NIPDAU               | Level-2-260C-1 YEAR  | -40 to 85    | OPA<br>337UA            | <a href="#">Samples</a> |
| OPA337UAG4       | ACTIVE        | SOIC         | D               | 8    | 75          | Green (RoHS & no Sb/Br) | CU NIPDAU               | Level-2-260C-1 YEAR  | -40 to 85    | OPA<br>337UA            | <a href="#">Samples</a> |
| OPA338NA/250     | ACTIVE        | SOT-23       | DBV             | 5    | 250         | Green (RoHS & no Sb/Br) | CU NIPDAU               | Level-2-260C-1 YEAR  | -40 to 85    | A38                     | <a href="#">Samples</a> |
| OPA338NA/250G4   | ACTIVE        | SOT-23       | DBV             | 5    | 250         | Green (RoHS & no Sb/Br) | CU NIPDAU               | Level-2-260C-1 YEAR  | -40 to 85    | A38                     | <a href="#">Samples</a> |
| OPA338NA/3K      | ACTIVE        | SOT-23       | DBV             | 5    | 3000        | Green (RoHS & no Sb/Br) | CU NIPDAU               | Level-2-260C-1 YEAR  | -40 to 85    | A38                     | <a href="#">Samples</a> |
| OPA338NA/3KG4    | ACTIVE        | SOT-23       | DBV             | 5    | 3000        | Green (RoHS & no Sb/Br) | CU NIPDAU               | Level-2-260C-1 YEAR  | -40 to 85    | A38                     | <a href="#">Samples</a> |
| OPA338UA         | ACTIVE        | SOIC         | D               | 8    | 75          | Green (RoHS & no Sb/Br) | CU NIPDAU               | Level-2-260C-1 YEAR  | -40 to 85    | OPA<br>338UA            | <a href="#">Samples</a> |
| OPA338UAG4       | ACTIVE        | SOIC         | D               | 8    | 75          | Green (RoHS & no Sb/Br) | CU NIPDAU               | Level-2-260C-1 YEAR  | -40 to 85    | OPA<br>338UA            | <a href="#">Samples</a> |

(1) The marketing status values are defined as follows:

**ACTIVE:** Product device recommended for new designs.

**LIFEBUY:** TI has announced that the device will be discontinued, and a lifetime-buy period is in effect.

**NRND:** Not recommended for new designs. Device is in production to support existing customers, but TI does not recommend using this part in a new design.

**PREVIEW:** Device has been announced but is not in production. Samples may or may not be available.

**OBSOLETE:** TI has discontinued the production of the device.

(2) Eco Plan - The planned eco-friendly classification: Pb-Free (RoHS), Pb-Free (RoHS Exempt), or Green (RoHS & no Sb/Br) - please check <http://www.ti.com/productcontent> for the latest availability information and additional product content details.

**TBD:** The Pb-Free/Green conversion plan has not been defined.

**Pb-Free (RoHS):** TI's terms "Lead-Free" or "Pb-Free" mean semiconductor products that are compatible with the current RoHS requirements for all 6 substances, including the requirement that lead not exceed 0.1% by weight in homogeneous materials. Where designed to be soldered at high temperatures, TI Pb-Free products are suitable for use in specified lead-free processes.

**Pb-Free (RoHS Exempt):** This component has a RoHS exemption for either 1) lead-based flip-chip solder bumps used between the die and package, or 2) lead-based die adhesive used between the die and leadframe. The component is otherwise considered Pb-Free (RoHS compatible) as defined above.

**Green (RoHS & no Sb/Br):** TI defines "Green" to mean Pb-Free (RoHS compatible), and free of Bromine (Br) and Antimony (Sb) based flame retardants (Br or Sb do not exceed 0.1% by weight in homogeneous material)

(3) MSL, Peak Temp. - The Moisture Sensitivity Level rating according to the JEDEC industry standard classifications, and peak solder temperature.

(4) There may be additional marking, which relates to the logo, the lot trace code information, or the environmental category on the device.

(5) Multiple Device Markings will be inside parentheses. Only one Device Marking contained in parentheses and separated by a "~" will appear on a device. If a line is indented then it is a continuation of the previous line and the two combined represent the entire Device Marking for that device.

(6) Lead/Ball Finish - Orderable Devices may have multiple material finish options. Finish options are separated by a vertical ruled line. Lead/Ball Finish values may wrap to two lines if the finish value exceeds the maximum column width.

**Important Information and Disclaimer:** The information provided on this page represents TI's knowledge and belief as of the date that it is provided. TI bases its knowledge and belief on information provided by third parties, and makes no representation or warranty as to the accuracy of such information. Efforts are underway to better integrate information from third parties. TI has taken and continues to take reasonable steps to provide representative and accurate information but may not have conducted destructive testing or chemical analysis on incoming materials and chemicals. TI and TI suppliers consider certain information to be proprietary, and thus CAS numbers and other limited information may not be available for release.

In no event shall TI's liability arising out of such information exceed the total purchase price of the TI part(s) at issue in this document sold by TI to Customer on an annual basis.

**TAPE AND REEL INFORMATION**

**QUADRANT ASSIGNMENTS FOR PIN 1 ORIENTATION IN TAPE**


\*All dimensions are nominal

| Device        | Package Type | Package Drawing | Pins | SPQ  | Reel Diameter (mm) | Reel Width W1 (mm) | A0 (mm) | B0 (mm) | K0 (mm) | P1 (mm) | W (mm) | Pin1 Quadrant |
|---------------|--------------|-----------------|------|------|--------------------|--------------------|---------|---------|---------|---------|--------|---------------|
| OPA2337EA/250 | SOT-23       | DCN             | 8    | 250  | 179.0              | 8.4                | 3.2     | 3.2     | 1.4     | 4.0     | 8.0    | Q3            |
| OPA2337EA/3K  | SOT-23       | DCN             | 8    | 3000 | 179.0              | 8.4                | 3.2     | 3.2     | 1.4     | 4.0     | 8.0    | Q3            |
| OPA2337UA/2K5 | SOIC         | D               | 8    | 2500 | 330.0              | 12.4               | 6.4     | 5.2     | 2.1     | 8.0     | 12.0   | Q1            |
| OPA2338EA/250 | SOT-23       | DCN             | 8    | 250  | 180.0              | 8.4                | 3.2     | 3.1     | 1.39    | 4.0     | 8.0    | Q3            |
| OPA2338EA/3K  | SOT-23       | DCN             | 8    | 3000 | 180.0              | 8.4                | 3.2     | 3.1     | 1.39    | 4.0     | 8.0    | Q3            |
| OPA2338UA/2K5 | SOIC         | D               | 8    | 2500 | 330.0              | 12.4               | 6.4     | 5.2     | 2.1     | 8.0     | 12.0   | Q1            |
| OPA337EA/250  | VSSOP        | DGK             | 8    | 250  | 180.0              | 12.4               | 5.3     | 3.4     | 1.4     | 8.0     | 12.0   | Q1            |
| OPA337NA/250  | SOT-23       | DBV             | 5    | 250  | 178.0              | 9.0                | 3.3     | 3.2     | 1.4     | 4.0     | 8.0    | Q3            |
| OPA337NA/3K   | SOT-23       | DBV             | 5    | 3000 | 178.0              | 9.0                | 3.3     | 3.2     | 1.4     | 4.0     | 8.0    | Q3            |
| OPA337NA/3K   | SOT-23       | DBV             | 5    | 3000 | 179.0              | 8.4                | 3.2     | 3.2     | 1.4     | 4.0     | 8.0    | Q3            |
| OPA338NA/250  | SOT-23       | DBV             | 5    | 250  | 178.0              | 8.4                | 3.3     | 3.2     | 1.4     | 4.0     | 8.0    | Q3            |
| OPA338NA/3K   | SOT-23       | DBV             | 5    | 3000 | 178.0              | 8.4                | 3.3     | 3.2     | 1.4     | 4.0     | 8.0    | Q3            |

**TAPE AND REEL BOX DIMENSIONS**


\*All dimensions are nominal

| Device        | Package Type | Package Drawing | Pins | SPQ  | Length (mm) | Width (mm) | Height (mm) |
|---------------|--------------|-----------------|------|------|-------------|------------|-------------|
| OPA2337EA/250 | SOT-23       | DCN             | 8    | 250  | 195.0       | 200.0      | 45.0        |
| OPA2337EA/3K  | SOT-23       | DCN             | 8    | 3000 | 195.0       | 200.0      | 45.0        |
| OPA2337UA/2K5 | SOIC         | D               | 8    | 2500 | 367.0       | 367.0      | 35.0        |
| OPA2338EA/250 | SOT-23       | DCN             | 8    | 250  | 210.0       | 185.0      | 35.0        |
| OPA2338EA/3K  | SOT-23       | DCN             | 8    | 3000 | 210.0       | 185.0      | 35.0        |
| OPA2338UA/2K5 | SOIC         | D               | 8    | 2500 | 367.0       | 367.0      | 35.0        |
| OPA337EA/250  | VSSOP        | DGK             | 8    | 250  | 210.0       | 185.0      | 35.0        |
| OPA337NA/250  | SOT-23       | DBV             | 5    | 250  | 180.0       | 180.0      | 18.0        |
| OPA337NA/3K   | SOT-23       | DBV             | 5    | 3000 | 180.0       | 180.0      | 18.0        |
| OPA337NA/3K   | SOT-23       | DBV             | 5    | 3000 | 203.0       | 203.0      | 35.0        |
| OPA338NA/250  | SOT-23       | DBV             | 5    | 250  | 565.0       | 140.0      | 75.0        |
| OPA338NA/3K   | SOT-23       | DBV             | 5    | 3000 | 565.0       | 140.0      | 75.0        |

P (R-PDIP-T8)

PLASTIC DUAL-IN-LINE PACKAGE



- NOTES:
- A. All linear dimensions are in inches (millimeters).
  - B. This drawing is subject to change without notice.
  - C. Falls within JEDEC MS-001 variation BA.



DBV (R-PDSO-G5)

PLASTIC SMALL-OUTLINE PACKAGE



- NOTES:
- A. All linear dimensions are in millimeters.
  - B. This drawing is subject to change without notice.
  - C. Body dimensions do not include mold flash or protrusion. Mold flash and protrusion shall not exceed 0.15 per side.
  - D. Falls within JEDEC MO-178 Variation AA.

DBV (R-PDSO-G5)

PLASTIC SMALL OUTLINE



- NOTES:
- A. All linear dimensions are in millimeters.
  - B. This drawing is subject to change without notice.
  - C. Customers should place a note on the circuit board fabrication drawing not to alter the center solder mask defined pad.
  - D. Publication IPC-7351 is recommended for alternate designs.
  - E. Laser cutting apertures with trapezoidal walls and also rounding corners will offer better paste release. Customers should contact their board assembly site for stencil design recommendations. Example stencil design based on a 50% volumetric metal load solder paste. Refer to IPC-7525 for other stencil recommendations.

DGK (S-PDSO-G8)

PLASTIC SMALL-OUTLINE PACKAGE



4073329/E 05/06

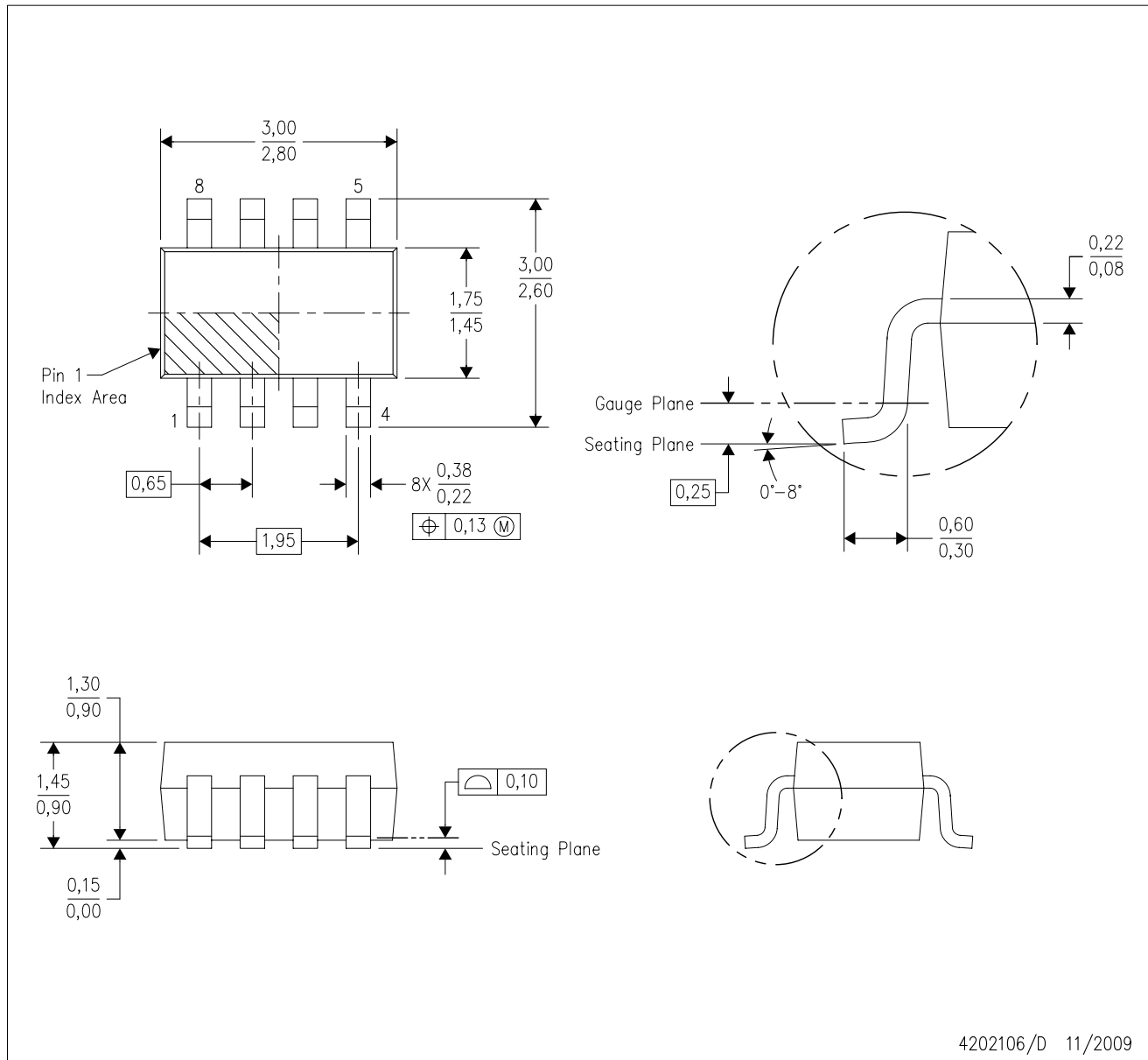
- NOTES:
- A. All linear dimensions are in millimeters.
  - B. This drawing is subject to change without notice.
  - C. Body length does not include mold flash, protrusions, or gate burrs. Mold flash, protrusions, or gate burrs shall not exceed 0.15 per end.
  - D. Body width does not include interlead flash. Interlead flash shall not exceed 0.50 per side.
  - E. Falls within JEDEC MO-187 variation AA, except interlead flash.



- NOTES:
- A. All linear dimensions are in millimeters.
  - B. This drawing is subject to change without notice.
  - C. Publication IPC-7351 is recommended for alternate designs.
  - D. Laser cutting apertures with trapezoidal walls and also rounding corners will offer better paste release. Customers should contact their board assembly site for stencil design recommendations. Refer to IPC-7525 for other stencil recommendations.
  - E. Customers should contact their board fabrication site for solder mask tolerances between and around signal pads.

DCN (R-PDSO-G8)

PLASTIC SMALL-OUTLINE PACKAGE (DIE DOWN)



- NOTES:
- A. All linear dimensions are in millimeters.
  - B. This drawing is subject to change without notice.
  - C. Package outline exclusive of metal burr & dambar protrusion/intrusion.
  - D. Package outline inclusive of solder plating.
  - E. A visual index feature must be located within the Pin 1 index area.
  - F. Falls within JEDEC MO-178 Variation BA.
  - G. Body dimensions do not include flash or protrusion. Mold flash and protrusion shall not exceed 0.25 per side.

DCN (R-PDSO-G8)

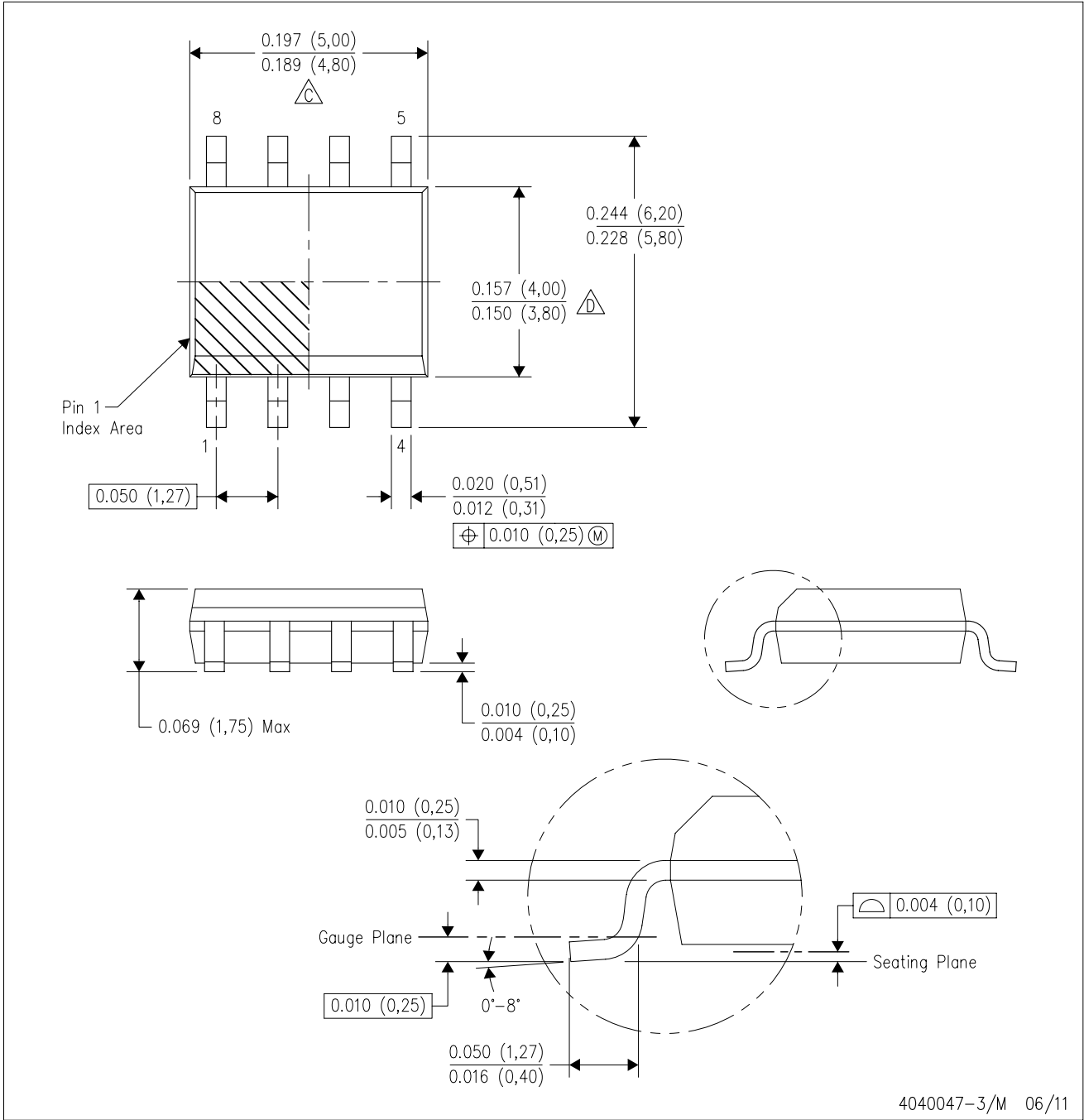
PLASTIC SMALL-OUTLINE PACKAGE (DIE DOWN)





- NOTES:
- A. All linear dimensions are in millimeters.
  - B. This drawing is subject to change without notice.
  - C. Publication IPC-7351 is recommended for alternate designs.
  - D. Laser cutting apertures with trapezoidal walls and also rounding corners will offer better paste release. Customers should contact their board assembly site for stencil design recommendations. Refer to IPC-7525.
  - E. Customers should contact their board fabrication site for solder mask tolerances between and around signal pads.

D (R-PDSO-G8)

PLASTIC SMALL OUTLINE



4040047-3/M 06/11

- NOTES:
- A. All linear dimensions are in inches (millimeters).
  - B. This drawing is subject to change without notice.
  -  Body length does not include mold flash, protrusions, or gate burrs. Mold flash, protrusions, or gate burrs shall not exceed 0.006 (0,15) each side.
  -  Body width does not include interlead flash. Interlead flash shall not exceed 0.017 (0,43) each side.
  - E. Reference JEDEC MS-012 variation AA.

D (R-PDSO-G8)

PLASTIC SMALL OUTLINE



4211283-2/E 08/12

- NOTES:
- A. All linear dimensions are in millimeters.
  - B. This drawing is subject to change without notice.
  - C. Publication IPC-7351 is recommended for alternate designs.
  - D. Laser cutting apertures with trapezoidal walls and also rounding corners will offer better paste release. Customers should contact their board assembly site for stencil design recommendations. Refer to IPC-7525 for other stencil recommendations.
  - E. Customers should contact their board fabrication site for solder mask tolerances between and around signal pads.



## IMPORTANT NOTICE

Texas Instruments Incorporated and its subsidiaries (TI) reserve the right to make corrections, enhancements, improvements and other changes to its semiconductor products and services per JESD46, latest issue, and to discontinue any product or service per JESD48, latest issue. Buyers should obtain the latest relevant information before placing orders and should verify that such information is current and complete. All semiconductor products (also referred to herein as "components") are sold subject to TI's terms and conditions of sale supplied at the time of order acknowledgment.

TI warrants performance of its components to the specifications applicable at the time of sale, in accordance with the warranty in TI's terms and conditions of sale of semiconductor products. Testing and other quality control techniques are used to the extent TI deems necessary to support this warranty. Except where mandated by applicable law, testing of all parameters of each component is not necessarily performed.

TI assumes no liability for applications assistance or the design of Buyers' products. Buyers are responsible for their products and applications using TI components. To minimize the risks associated with Buyers' products and applications, Buyers should provide adequate design and operating safeguards.

TI does not warrant or represent that any license, either express or implied, is granted under any patent right, copyright, mask work right, or other intellectual property right relating to any combination, machine, or process in which TI components or services are used. Information published by TI regarding third-party products or services does not constitute a license to use such products or services or a warranty or endorsement thereof. Use of such information may require a license from a third party under the patents or other intellectual property of the third party, or a license from TI under the patents or other intellectual property of TI.

Reproduction of significant portions of TI information in TI data books or data sheets is permissible only if reproduction is without alteration and is accompanied by all associated warranties, conditions, limitations, and notices. TI is not responsible or liable for such altered documentation. Information of third parties may be subject to additional restrictions.

Resale of TI components or services with statements different from or beyond the parameters stated by TI for that component or service voids all express and any implied warranties for the associated TI component or service and is an unfair and deceptive business practice. TI is not responsible or liable for any such statements.

Buyer acknowledges and agrees that it is solely responsible for compliance with all legal, regulatory and safety-related requirements concerning its products, and any use of TI components in its applications, notwithstanding any applications-related information or support that may be provided by TI. Buyer represents and agrees that it has all the necessary expertise to create and implement safeguards which anticipate dangerous consequences of failures, monitor failures and their consequences, lessen the likelihood of failures that might cause harm and take appropriate remedial actions. Buyer will fully indemnify TI and its representatives against any damages arising out of the use of any TI components in safety-critical applications.

In some cases, TI components may be promoted specifically to facilitate safety-related applications. With such components, TI's goal is to help enable customers to design and create their own end-product solutions that meet applicable functional safety standards and requirements. Nonetheless, such components are subject to these terms.

No TI components are authorized for use in FDA Class III (or similar life-critical medical equipment) unless authorized officers of the parties have executed a special agreement specifically governing such use.

Only those TI components which TI has specifically designated as military grade or "enhanced plastic" are designed and intended for use in military/aerospace applications or environments. Buyer acknowledges and agrees that any military or aerospace use of TI components which have **not** been so designated is solely at the Buyer's risk, and that Buyer is solely responsible for compliance with all legal and regulatory requirements in connection with such use.

TI has specifically designated certain components as meeting ISO/TS16949 requirements, mainly for automotive use. In any case of use of non-designated products, TI will not be responsible for any failure to meet ISO/TS16949.

### Products

|                              |  |
|------------------------------|--|
| Audio                        | <a href="http://www.ti.com/audio">www.ti.com/audio</a>                               |
| Amplifiers                   | <a href="http://amplifier.ti.com">amplifier.ti.com</a>                               |
| Data Converters              | <a href="http://dataconverter.ti.com">dataconverter.ti.com</a>                       |
| DLP® Products                | <a href="http://www.dlp.com">www.dlp.com</a>   |
| DSP                          | <a href="http://dsp.ti.com">dsp.ti.com</a>   |
| Clocks and Timers            | <a href="http://www.ti.com/clocks">www.ti.com/clocks</a>                             |
| Interface                    | <a href="http://interface.ti.com">interface.ti.com</a>                               |
| Logic                        | <a href="http://logic.ti.com">logic.ti.com</a>                                       |
| Power Mgmt                   | <a href="http://power.ti.com">power.ti.com</a>                                       |
| Microcontrollers             | <a href="http://microcontroller.ti.com">microcontroller.ti.com</a>                   |
| RFID                         | <a href="http://www.ti-rfid.com">www.ti-rfid.com</a>                                 |
| OMAP Applications Processors | <a href="http://www.ti.com/omap">www.ti.com/omap</a>                                 |
| Wireless Connectivity        | <a href="http://www.ti.com/wirelessconnectivity">www.ti.com/wirelessconnectivity</a> |

### Applications

|                               |  |
|-------------------------------|--|
| Automotive and Transportation | <a href="http://www.ti.com/automotive">www.ti.com/automotive</a>                         |
| Communications and Telecom    | <a href="http://www.ti.com/communications">www.ti.com/communications</a>                 |
| Computers and Peripherals     | <a href="http://www.ti.com/computers">www.ti.com/computers</a>                           |
| Consumer Electronics          | <a href="http://www.ti.com/consumer-apps">www.ti.com/consumer-apps</a>                   |
| Energy and Lighting           | <a href="http://www.ti.com/energy">www.ti.com/energy</a>                                 |
| Industrial                    | <a href="http://www.ti.com/industrial">www.ti.com/industrial</a>                         |
| Medical                       | <a href="http://www.ti.com/medical">www.ti.com/medical</a>                               |
| Security                      | <a href="http://www.ti.com/security">www.ti.com/security</a>                             |
| Space, Avionics and Defense   | <a href="http://www.ti.com/space-avionics-defense">www.ti.com/space-avionics-defense</a> |
| Video and Imaging             | <a href="http://www.ti.com/video">www.ti.com/video</a>                                   |

### TI E2E Community

[e2e.ti.com](http://e2e.ti.com)