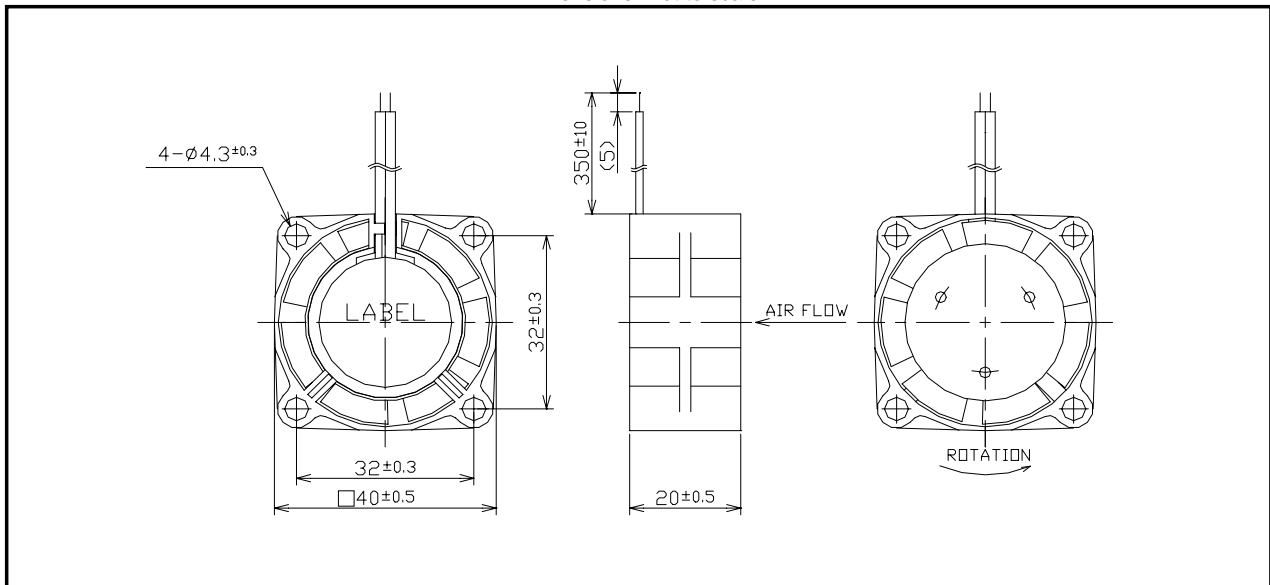


F4020AP TYPE

1ボール1スリーブ
(40x40x20mm)

Dimensions: Not to scale



Specifications

機種名 (Model)	F4020AP-05MCV	F4020AP-12MCW	F4020AP-12QCW	F4020AP-12SCW	F4020AP-12TCW	F4020AP-24SCW
定格電圧 (DCV) Rated voltage	5	12	12	12	12	24
使用電圧範囲 (DCV) Operating voltage range	4.5~5.5	10.2~13.8	10.2~13.8	10.2~13.8	10.2~13.8	20.4~27.6
定格電流 (A) Rated current	0.13	0.08	0.1	0.15	0.2	0.1
定格入力 (W) Rated input	0.65	0.96	1.2	1.8	2.4	2.4
最大風量 (m3/min) Max Air Volume	0.08	0.07	0.09	0.13	0.15	0.13
最大静圧 (Pa) Max Static Pressure	13.7	9.8	17.6	34.3	39.2	34.3
A特性音圧レベル (dB) Noise Lv at 1m (A-weighted)	25	25	29	35	39	35
回転速度 (min ⁻¹) Rotation frequency	3,600	3,600	5,000	6,300	7,000	6,400
期待寿命 (h) Life expectancy	50,000 Room temp-humidity					

使用温度範囲(Operating temp. range):

-5~+60°C(5V), -10 ~ +60°C(12V, 24V) ★★

保存温度範囲(Storage temp. range):

-40 ~ +70 ★★

リード線(Lead Wire):

UL1571 AWG30: {Red(+), Green(-)}, {12V: Red(+), Black(-)}, {24V: Red(+), Blue(-)}

重量(Weight):

33g

絶縁抵抗(Insulation resist.):

Min 10M Ω at DC500V (Between frame and leadwire)

耐電圧(Voltage withstand):

5mA (AC500V 1minute or AC600V 1 second, between frame and leadwire)

★In room temperature and humidity ★★In room humidity Room temp.=20±15°C, Room humidity=65±20%

0203

Specifications subject to change without notice. Copyright ©2002 Shicoh Engineering Co., Ltd.

<http://www.shicoh.com>

