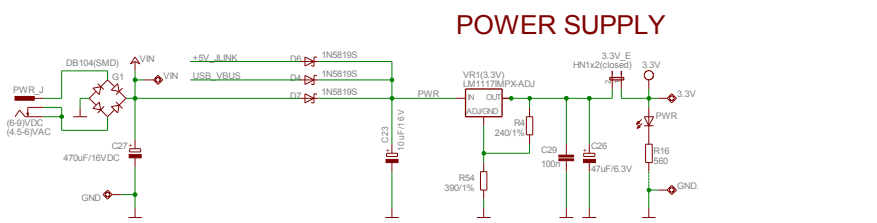
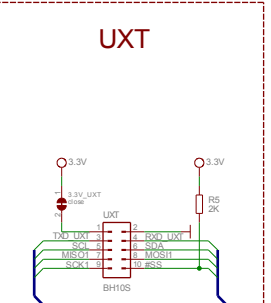


IAR SYSTEMS AB
 (C) 2011
 LPC111U1x-SK Rev. B

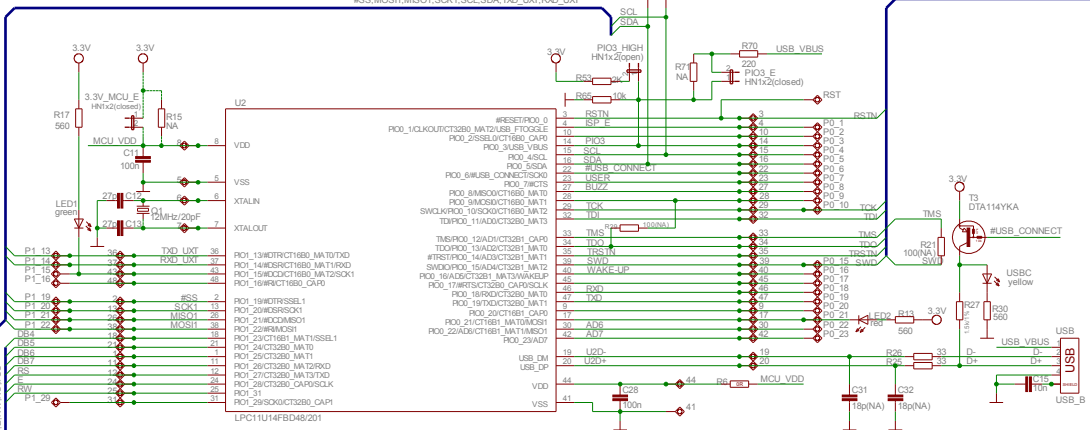
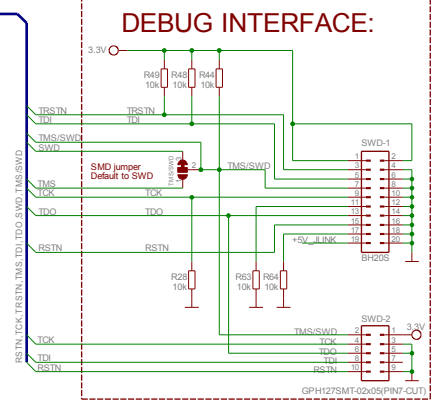
POWER SUPPLY



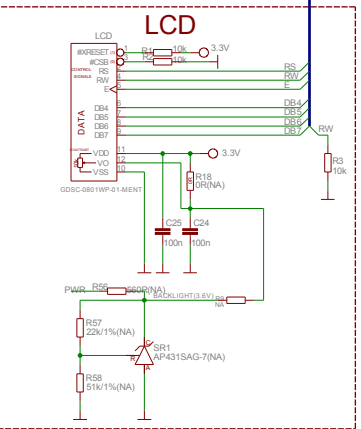
UXT



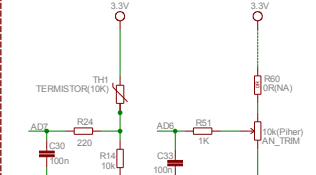
DEBUG INTERFACE:



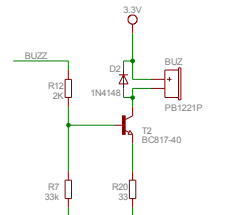
LCD



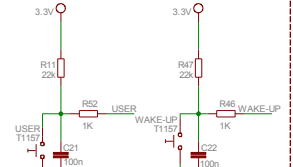
TEMPERATURE TRIMMER



BUZZER



BUTTONS



RS232

