

P0

1	P0.0
2	P0.1
3	P0.2
4	P0.3
5	P0.4
6	P0.5
7	P0.6
8	P0.7
9	P0.8
10	P0.9
11	P0.10
12	P0.11
13	P0.15
14	P0.16
15	P0.17
16	P0.18
17	P0.19
18	P0.20
19	P0.21
20	P0.22
21	P0.23
22	P0.24
23	P0.25
24	P0.26
25	P0.27
26	P0.28
27	P0.29
28	P0.30

P3 P4

1	P3.25
2	P3.26
3	P4.28
4	P4.29

Header 4 x 1

IC1A

P0.0	46	P0.0/RD1/TXD3/SDA1	P1.0/ENET_TXD0	95	P1.0	P1.0	1
P0.1	47	P0.1/TD1/RXD3/SCL1	P1.1/ENET_TXD1	94	P1.1	P1.1	2
P0.2	98	P0.2/TXD0/AD0.7	P1.4/ENET_TX_EN	93	P1.4	P1.4	3
P0.3	99	P0.3/RXD0/AD0.6	P1.8/ENET_CRS	92	P1.8	P1.8	4
P0.4	81	P0.4/I2SRX_CLK/RD2/CAP2.0	P1.9/ENET_RXD0	91	P1.9	P1.9	5
P0.5	80	P0.5/I2SRX_WS/TD2/CAP2.1	P1.10/ENET_RXD1	90	P1.10	P1.10	6
P0.6	79	P0.6/I2SRX_SDA/SSEL1/MAT2.0	P1.14/ENET_RX_ER	89	P1.14	P1.14	7
P0.7	78	P0.7/I2STX_CLK/SCK1/MAT2.1	P1.15/ENET_REF_CLK	88	P1.15	P1.15	8
			P1.16/ENET_MDC	87	P1.16	P1.16	9
			P1.17/ENET_MDIO	86	P1.17	P1.17	10
P0.8	77	P0.8/I2STX_WS/MISO1/MAT2.2					
P0.9	76	P0.9/I2STX_SDA/MOSI1/MAT2.3					
P0.10	48	P0.10/TXD2/SDA2/MAT3.0	P1.18/USB_UP_LED/PWM1.1/CAP1.0	32	P1.18	P1.18	11
P0.11	49	P0.11/RXD2/SCL2/MAT3.1	P1.19/MC0A/nUSB_PPWR/CAP1.1	33	P1.19	P1.19	12
P0.15	62	P0.15/TXD1/SCK0/SCK	P1.20/MCFB0/PWM1.2/SCK0	34	P1.20	P1.20	13
			P1.21/MCABORT/PWM1.3/SSEL0	35	P1.21	P1.21	14
P0.16	63		P1.22/MC0B/USB_PWRD/MAT1.0	36	P1.22	P1.22	15
P0.17	61	P0.16/RXD1/SSEL0/SSEL	P1.23/MCFB1/PWM1.4/MISO0	37	P1.23	P1.23	16
P0.18	60	P0.17/CTS1/MISO0/MISO	P1.24/MCFB2/PWM1.5/MOSI0	38	P1.24	P1.24	17
P0.19	59	P0.18/DCD1/MOSI0/MOSI	P1.25/MC1A/MAT1.1	39	P1.25	P1.25	18
P0.20	58	P0.19/DSR1/SDA1	P1.26/MC1B/PWM1.6/CAP0.0	40	P1.26	P1.26	19
P0.21	57	P0.20/DTR1/SCL1	P1.27/CLKOUT/nUSB_OVRCR/CAP0.1	43	P1.27	P1.27	20
P0.22	56	P0.21/RI1/RD1	P1.28/MC2A1.0/MAT0.0	44	P1.28	P1.28	21
P0.23	9	P0.22/RTS1/TD1	P1.29/MC2B/PCAP1.1/MAT0.1	45	P1.29	P1.29	22
			P1.30/VBUS/AD0.4	21	P1.30	P1.30	23
			P1.31/SCK1/AD0.5	20	P1.31	P1.31	24
P0.24	8	P0.24/AD0.1/I2SRX_WS/CAP3.1					
P0.25	7	P0.25/AD0.2/I2SRX_SDA/TXD3					
P0.26	6	P0.26/AD0.3/AOUT/RXD3					
P0.27	25	P0.27/SDA0/USB_SDA	P2.0/PWM1.1/TXD1	75	P2.0	P2.0	1
P0.28	24	P0.28/SCL0/USB_SCL	P2.1/PWM1.2/RXD1	74	P2.1	P2.1	2
P0.29	29	P0.29/USB_D+	P2.2/PWM1.3/CTS1/TRACEDATA3	73	P2.2	P2.2	3
P0.30	30	P0.30/USB_D-	P2.3/PWM1.4/DCD1/TRACEDATA2	70	P2.3	P2.3	4
			P2.4/PWM1.5/DSR1/TRACEDATA1	69	P2.4	P2.4	5
			P2.5/PWM1.6/DTR1/TRACEDATA0	68	P2.5	P2.5	6
			P2.6/PCAP1.0/RI1/TRACECLK	67	P2.6	P2.6	7
			P2.7/RD2/RTS1	66	P2.7	P2.7	8
			P2.8/TD2/TXD2	65	P2.8	P2.8	9
P4.28	82	P4.28/RX_MCLK/MAT2.0/TXD3	P2.9/USB_CONNECT/RXD2	64	P2.9	P2.9	10
P4.29	85	P4.29/TX_MCLK/MAT2.1/RXD3	P2.10/nEINT0/NMI	53	P2.10	P2.10	11
			P2.11/nEINT1/I2STX_CLK	52	P2.11	P2.11	12
			P2.12/nEINT2/I2STX_WS	51	P2.12	P2.12	13
			P2.13/nEINT3/I2STX_SDA	50	P2.13	P2.13	14

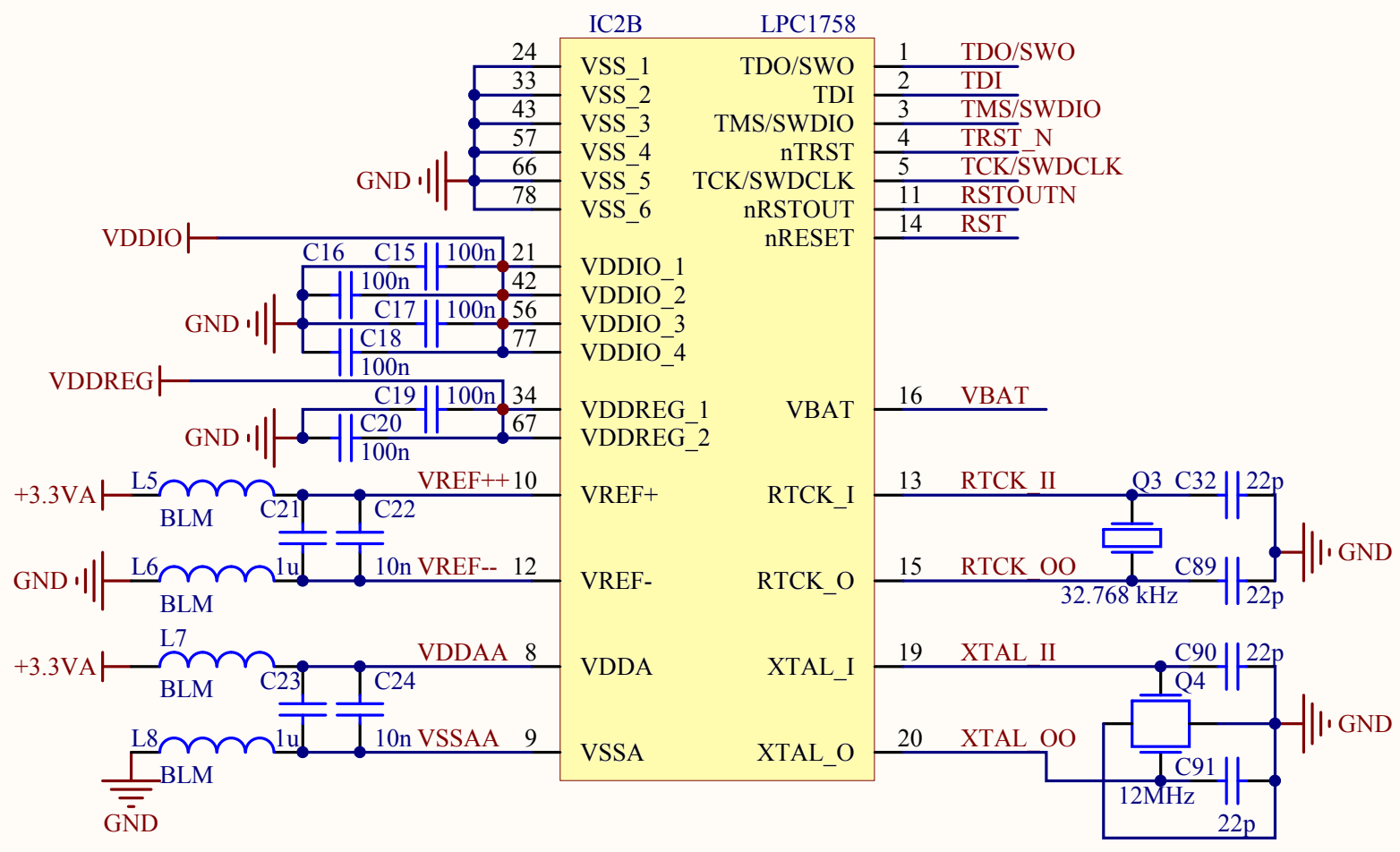
P2

1	P2.0
2	P2.1
3	P2.2
4	P2.3
5	P2.4
6	P2.5
7	P2.6
8	P2.7
9	P2.8
10	P2.9
11	P2.10
12	P2.11
13	P2.12
14	P2.13

P2

1	P2.0
2	P2.1
3	P2.2
4	P2.3
5	P2.4
6	P2.5
7	P2.6
8	P2.7
9	P2.8
10	P2.9
11	P2.10
12	P2.11
13	P2.12
14	P2.13

LPC1768



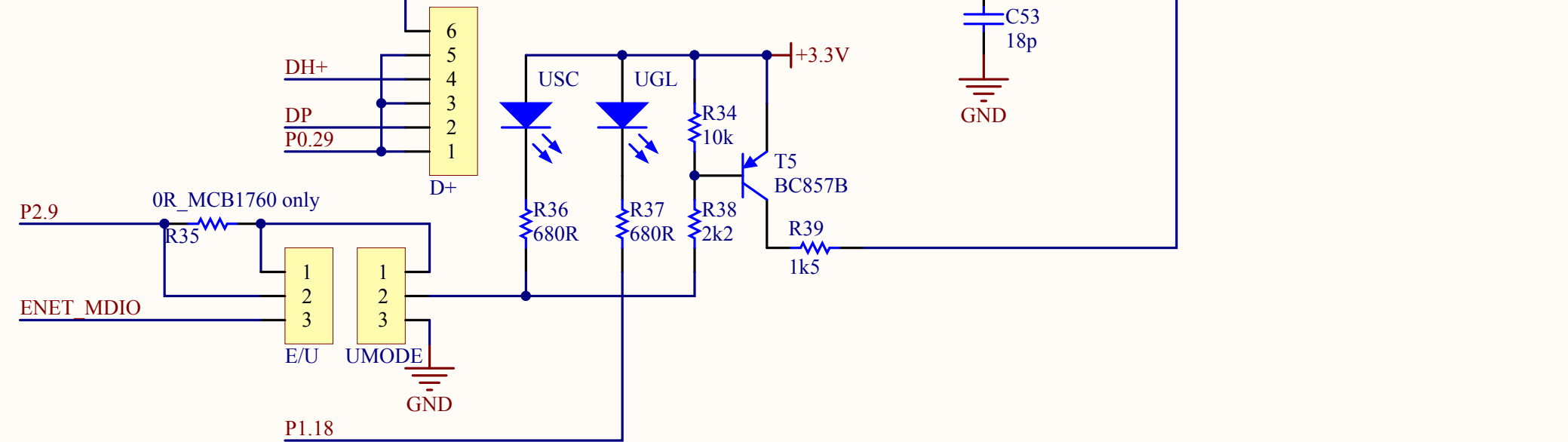
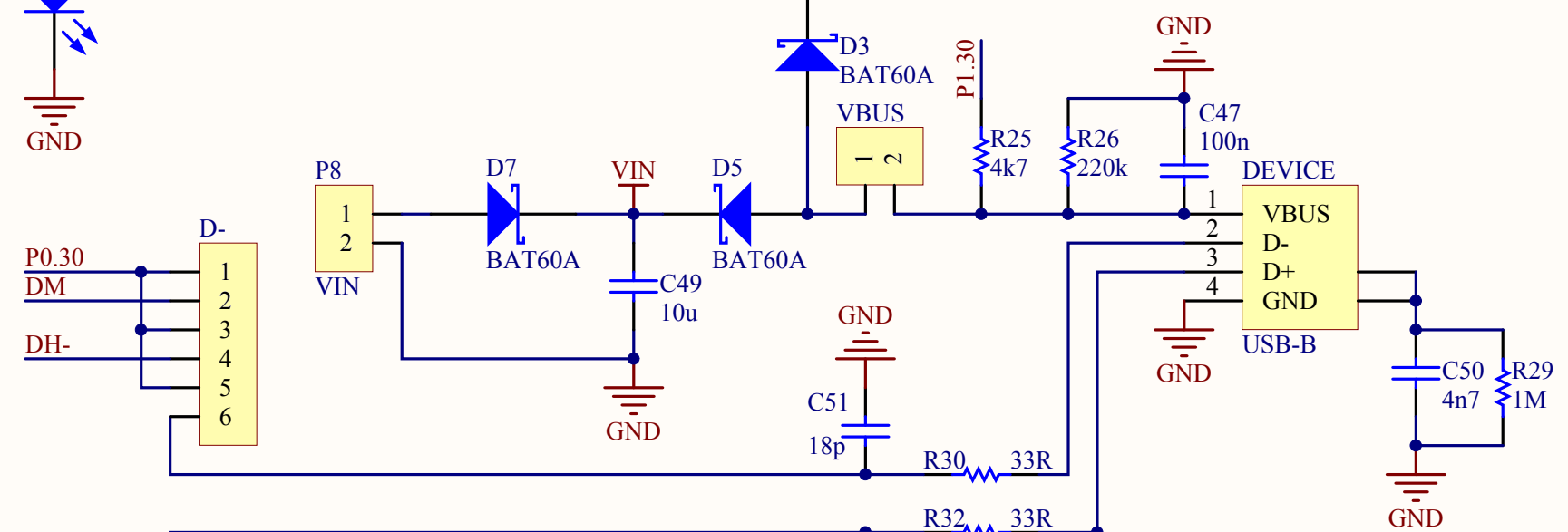
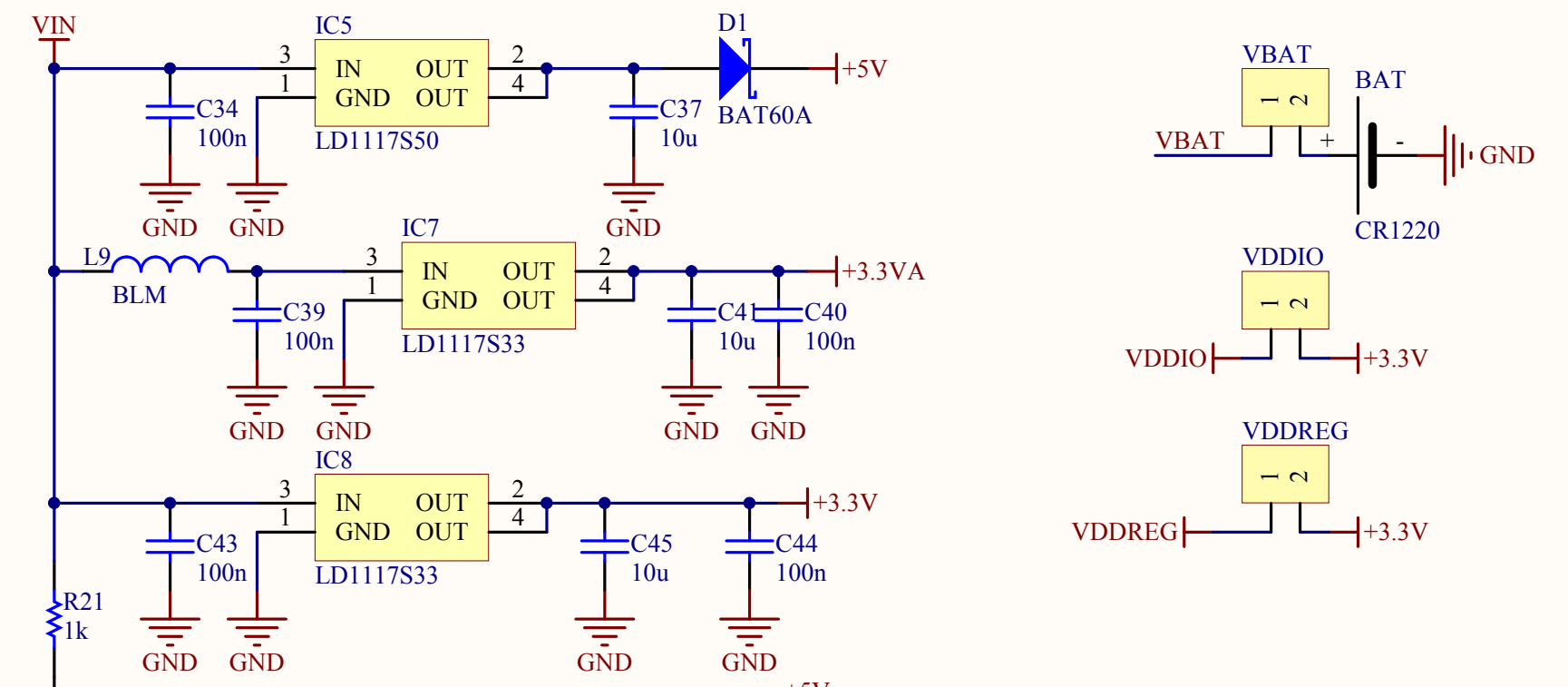
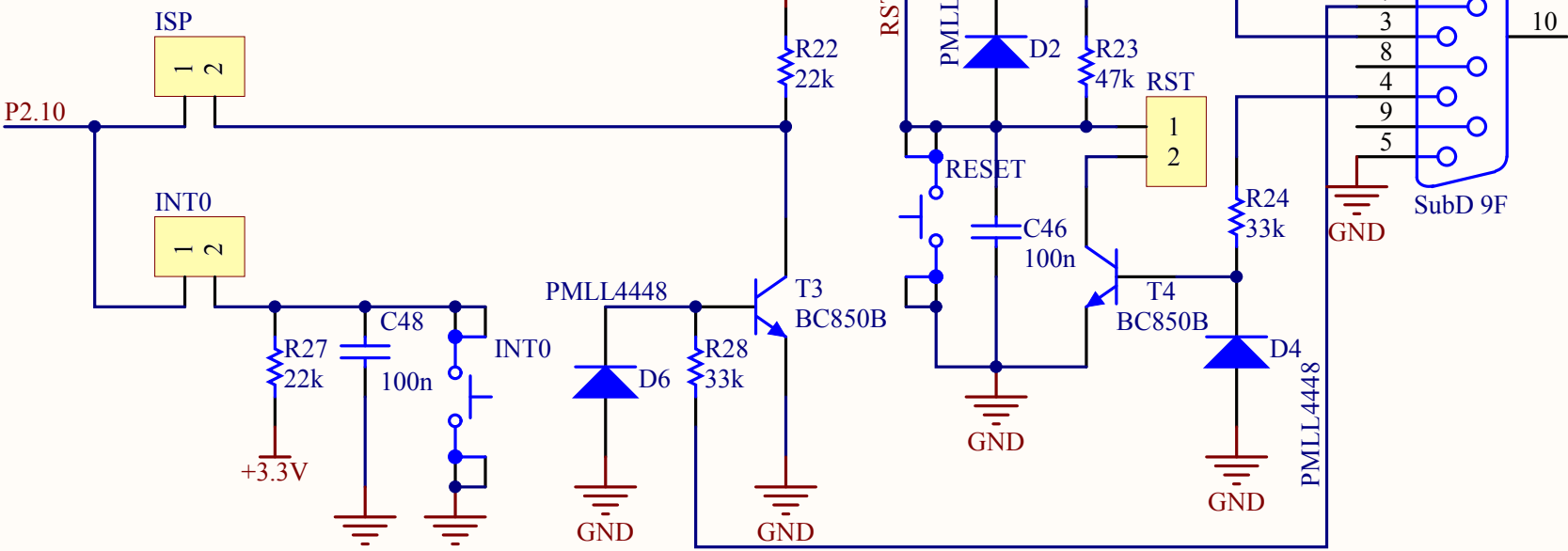
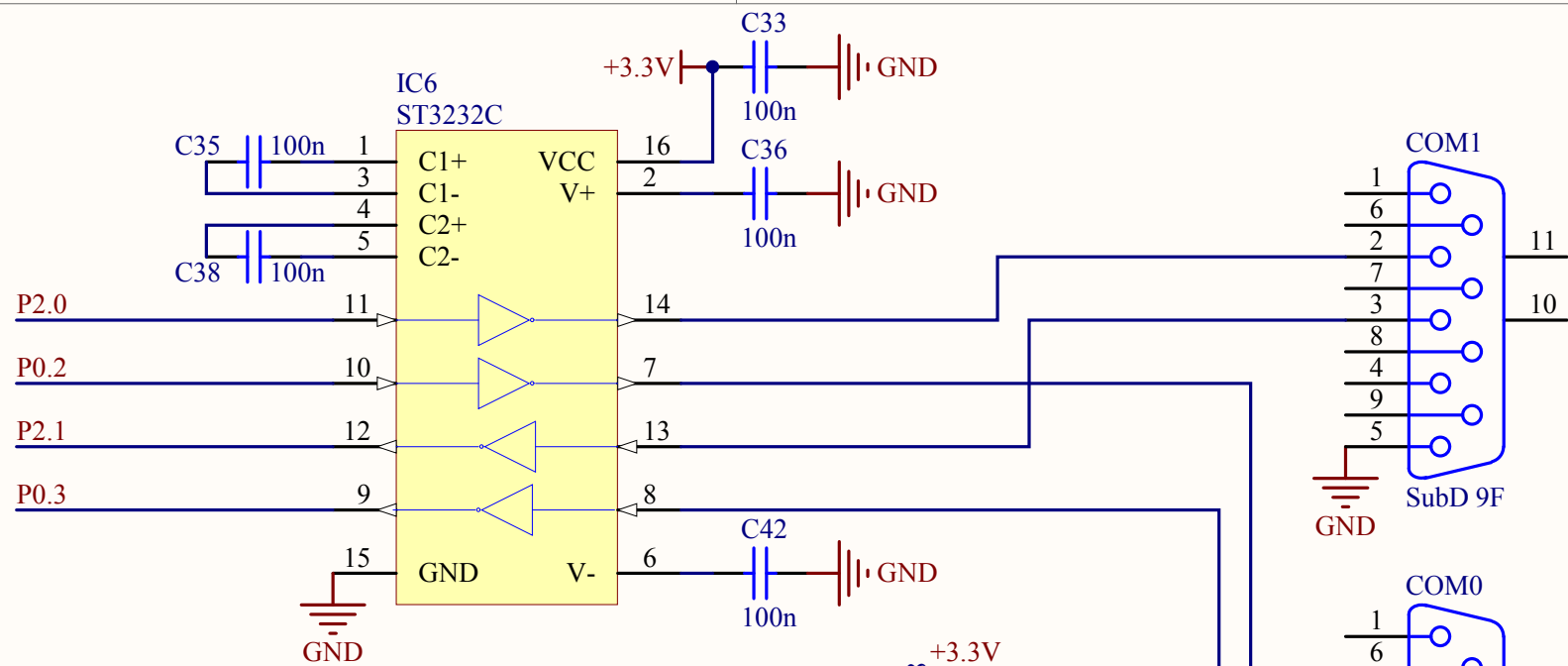
IC2A		LPC1758			
P0.0	37	P0.0/RD1/TXD3/SDA1	P1.0/ENET_TXD0	76	P1.0
P0.1	38	P0.1/TD1/RXD3/SCL1	P1.1/ENET_TXD1	75	P1.1
P0.2	79	P0.2/TXD0/AD0.7	P1.4/ENET_TX_EN	74	P1.4
P0.3	80	P0.3/RXD0/AD0.6	P1.8/ENET_CRS	73	P1.8
P0.6	64	P0.6/I2SRX_SDA/SSEL1/MAT2.0	P1.9/ENET_RXD0	72	P1.9
P0.7	63	P0.7/I2STX_CLK/SCK1/MAT2.1	P1.10/ENET_RXD1	71	P1.10
P0.8	62	P0.8/I2STX_WS/MISO1/MAT2.2	P1.14/ENET_RX_ER	70	P1.14
P0.9	61	P0.9/I2STX_SDA/MOSI1/MAT2.3	P1.15/ENET_REF_CLK	69	P1.15
P0.10	39	P0.10/TXD2/SDA2/MAT3.0			
P0.11	40	P0.11/RXD2/SCL2/MAT3.1	P1.18/USB_UP_LED/PWM1.1/CAP1.0	25	P1.18
P0.15	47	P0.15/TXD1/SCK0/SCK	P1.19/MC0A/nUSB_PPWR/CAP1.1	26	P1.19
P0.16	48	P0.16/RXD1/SSEL0/SSEL	P1.20/MCFB0/PWM1.2/SCK0	27	P1.20
P0.17	46	P0.17/CTS1/MISO0/MISO	P1.22/MC0B/USB_PWRD/MAT1.0	28	P1.22
P0.18	45	P0.18/DCD1/MOSI0/MOSI	P1.23/MCFB1/PWM1.4/MISO0	29	P1.23
P0.22	44	P0.22/RTS1/TD1	P1.24/MCFB2/PWM1.5/MOSI0	30	P1.24
P0.25	7	P0.25/AD0.2/I2SRX_SDA/TXD3	P1.25/MC1A/CLKOUT/MAT1.1	31	P1.25
P0.26	6	P0.26/AD0.3/AOUT/RXD3	P1.26/MC1B/PWM1.6/CAP0.0	32	P1.26
P0.29	22	P0.29/USB_D+	P1.28/MC2A/PCAP1.0/MAT0.0	35	P1.28
P0.30	23	P0.30/USB_D-	P1.29/MC2B/PCAP1.1/MAT0.1	36	P1.29
			P1.30/VBUS/AD0.4	18	P1.30
			P1.31/SCK1/AD0.5	17	P1.31
			P2.0/PWM1.1/TXD1	60	P2.0
			P2.1/PWM1.2/RXD1	59	P2.1
			P2.2/PWM1.3/CTS1/TRACEDATA3	58	P2.2
			P2.3/PWM1.4/DCD1/TRACEDATA2	55	P2.3
			P2.4/PWM1.5/DSR1/TRACEDATA1	54	P2.4
			P2.5/PWM1.6/DTR1/TRACEDATA0	53	P2.5
			P2.6/PCAP1.0/RI1/TRACECLK	52	P2.6
			P2.7/RD2/RTS1	51	P2.7
			P2.8/TD2/TXD2/ENET_MDC	50	P2.8
			P2.9/USB_CONNECT/RXD2/ENET_MDIO	49	P2.9
			P2.10/nEINT0/NMI	41	P2.10

MCB1700

LPC1750.SchDoc
 Size: A4
 Date: 29.7.2009

Revision: 1.2
 Sheet 2 of 6
 Web: www.keil.com/MCB1700





MCB1700

USB_COM_LED.SchDoc

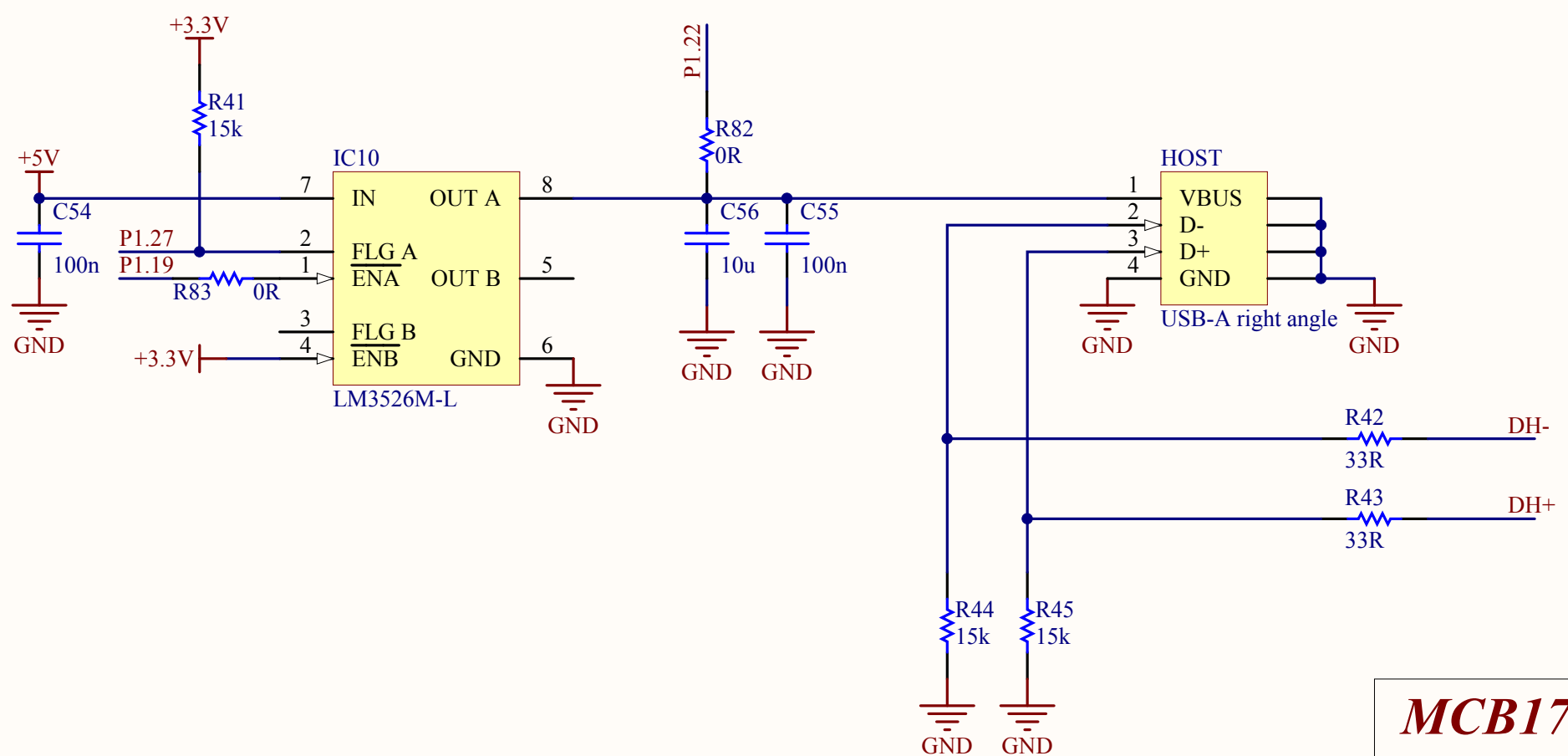
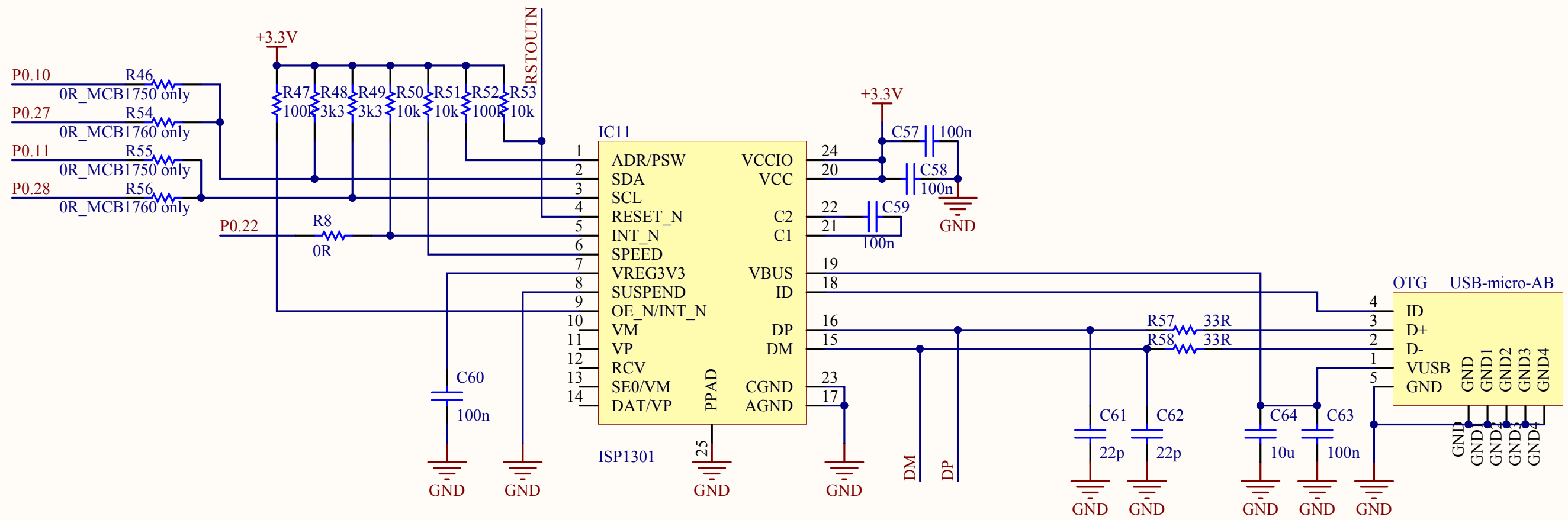
Revision: 1.2

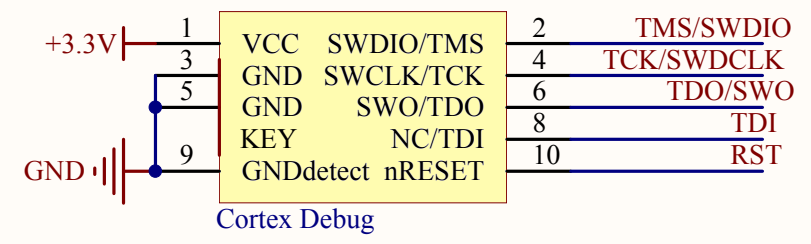
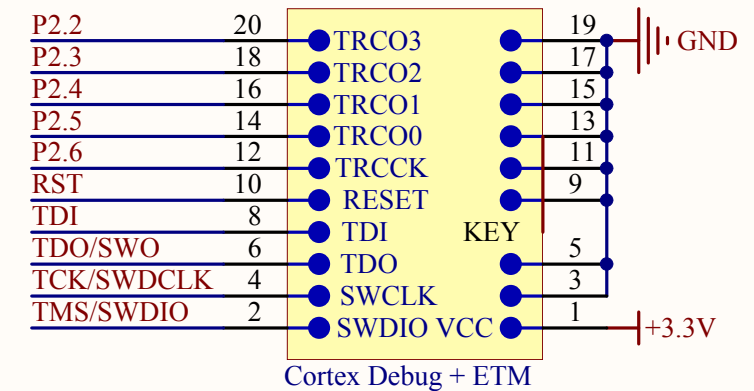
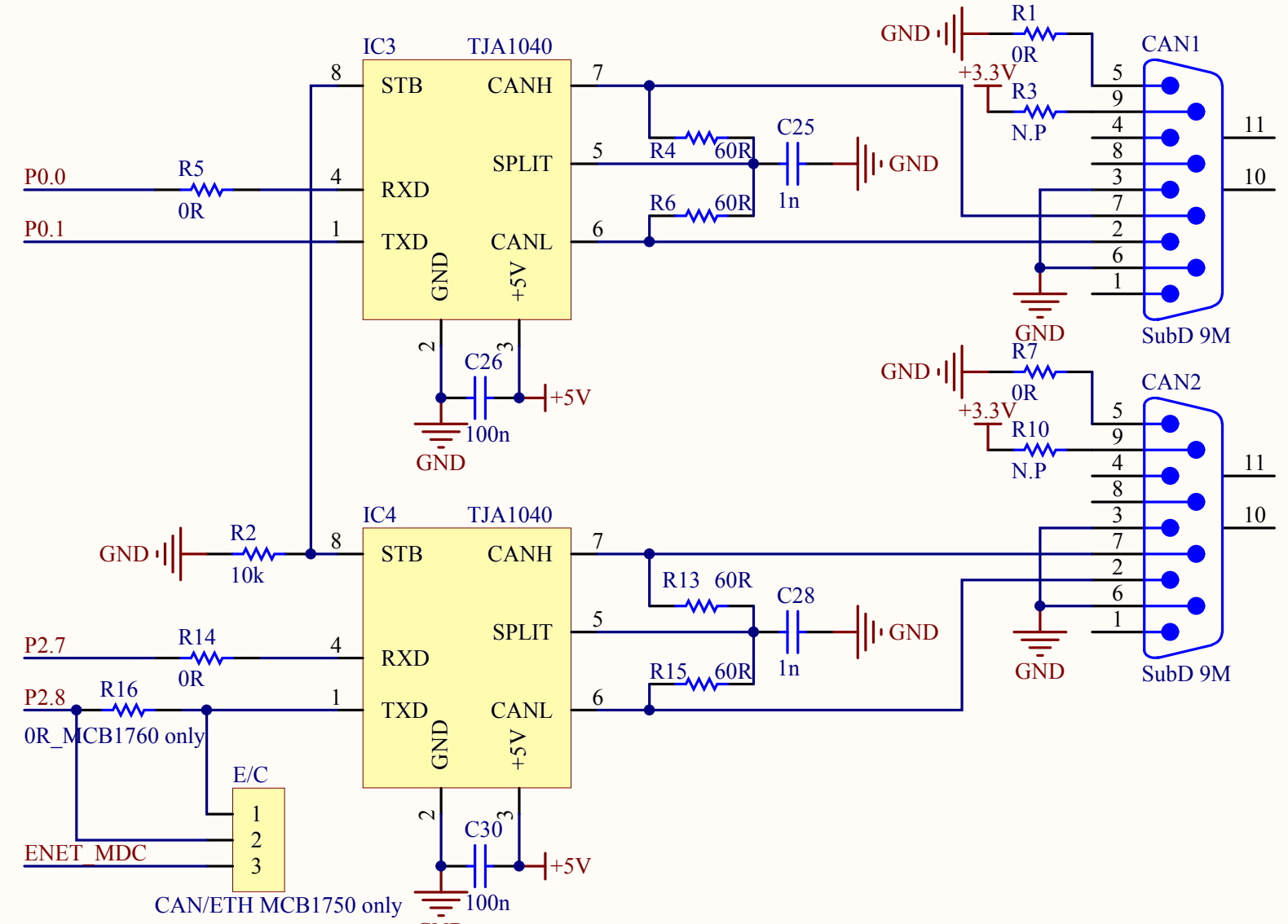
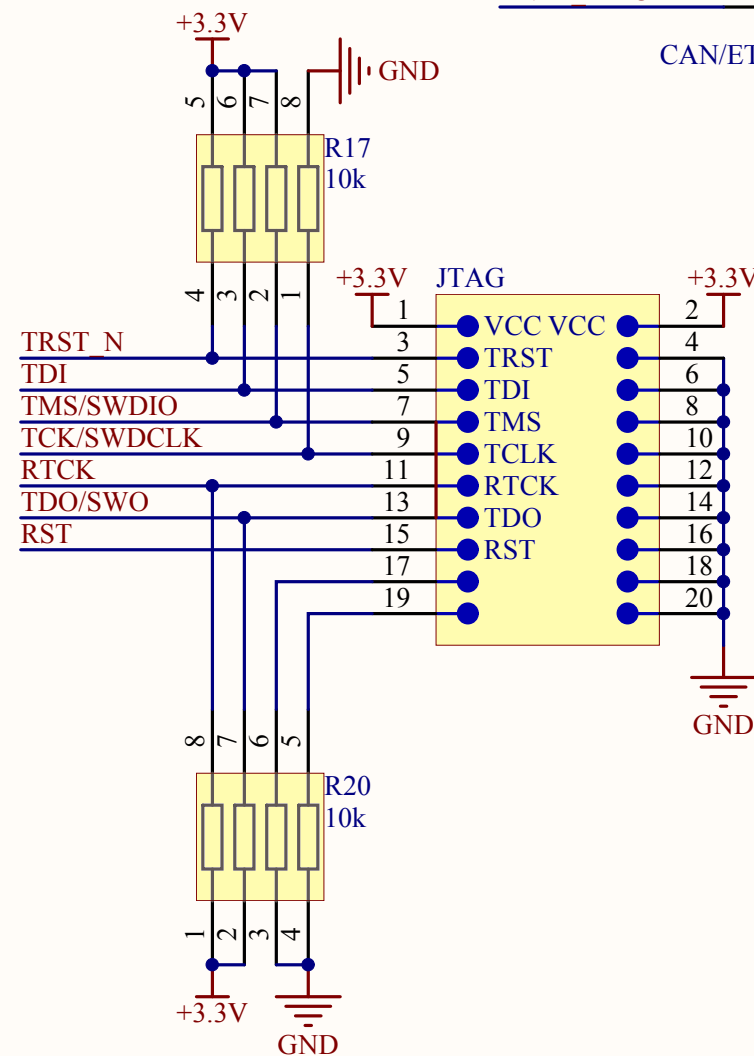
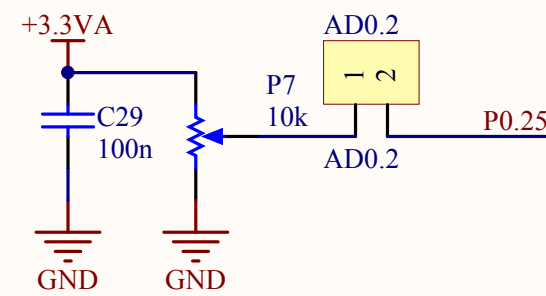
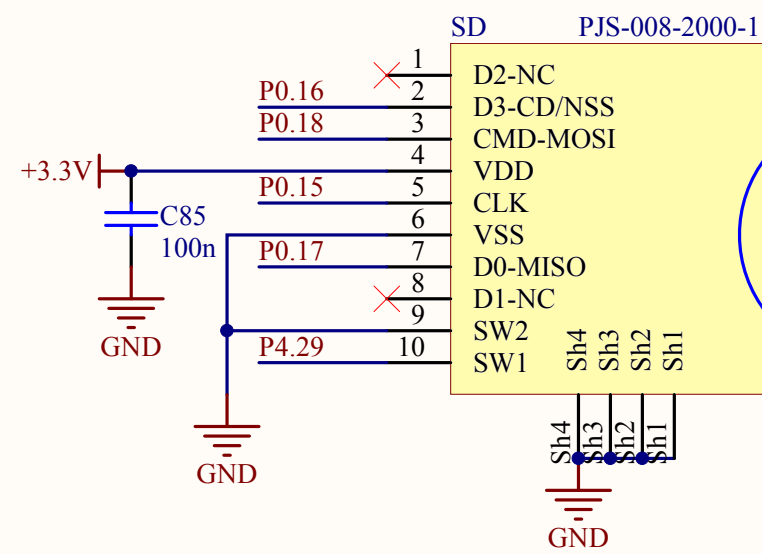
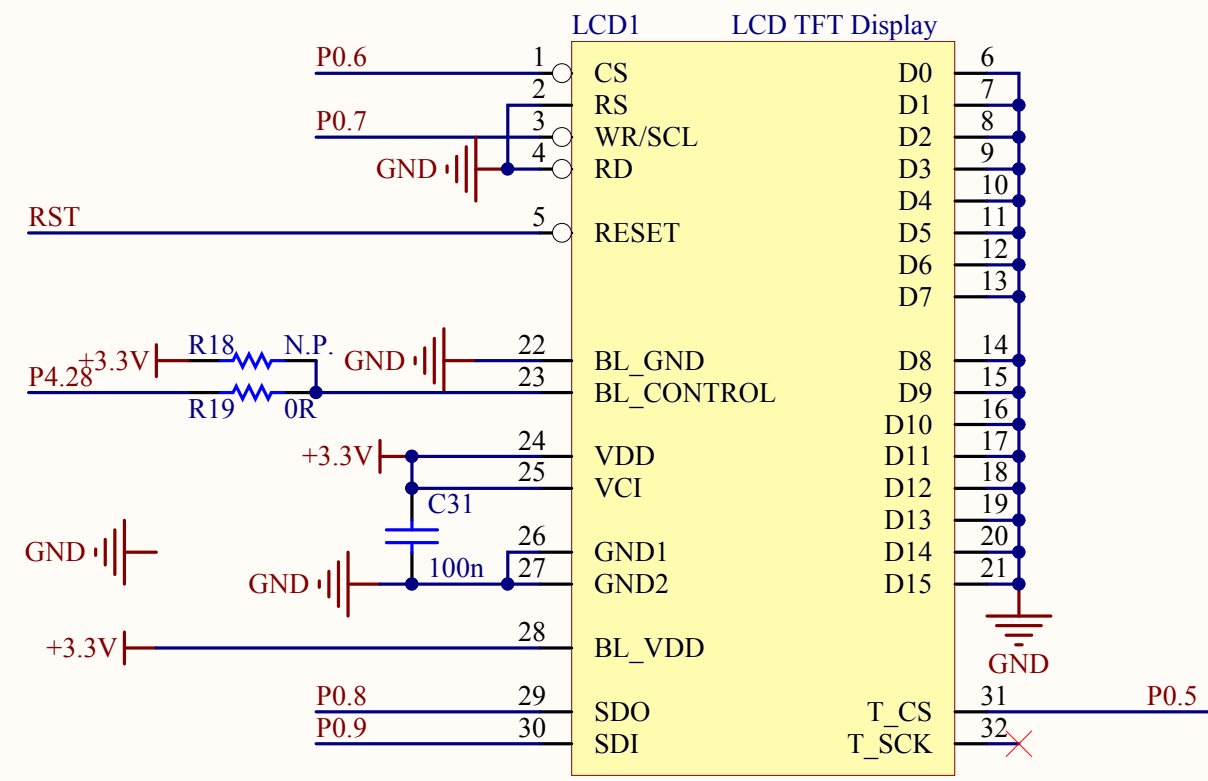
Size: A4

Sheet 3 of 6

Date: 29.7.2009

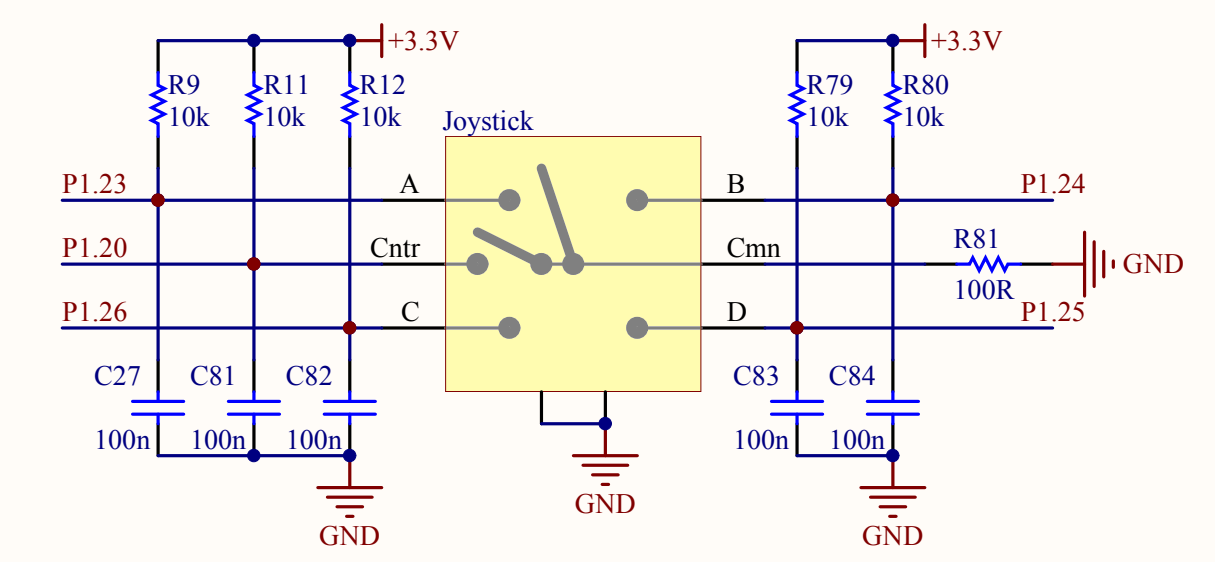
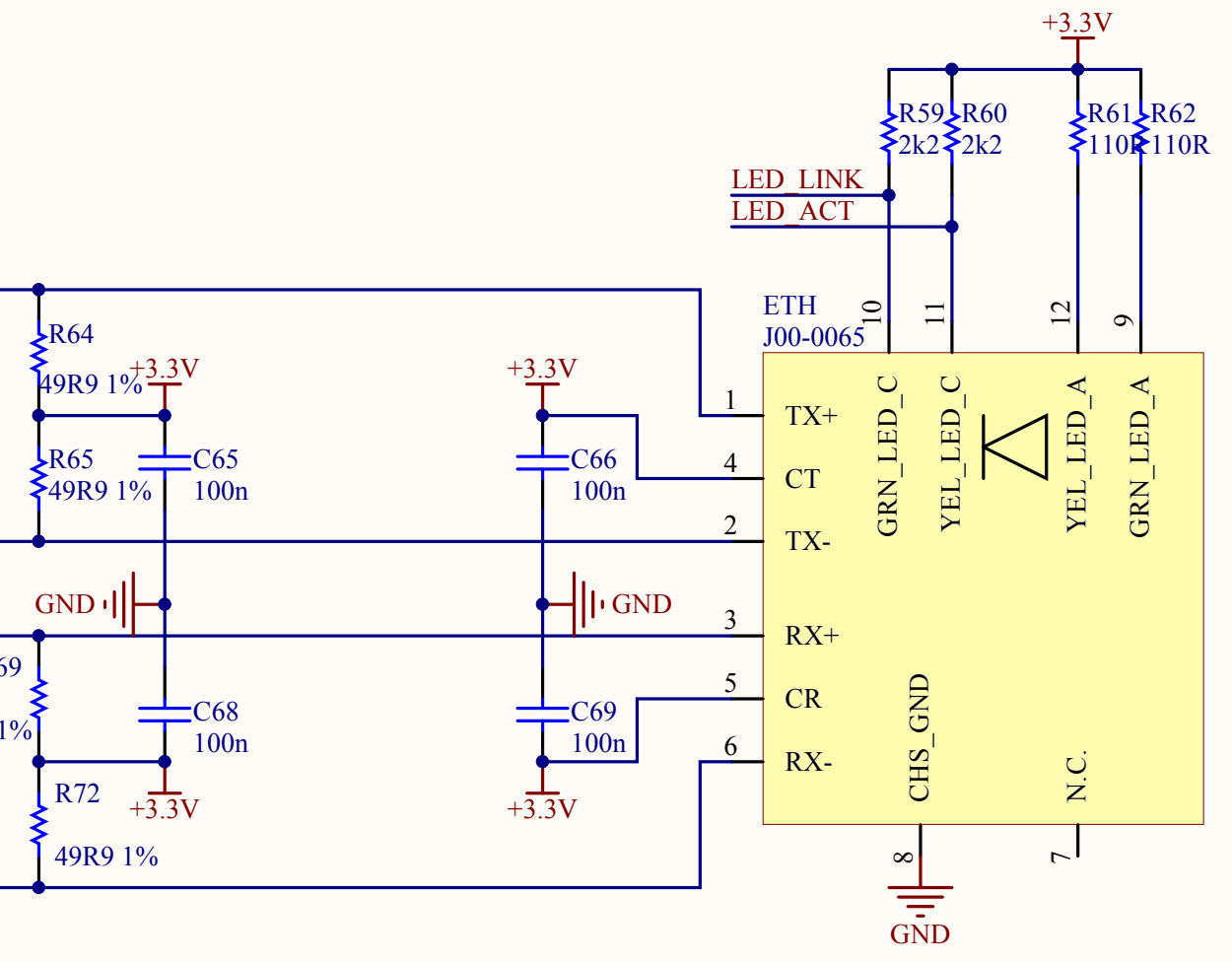
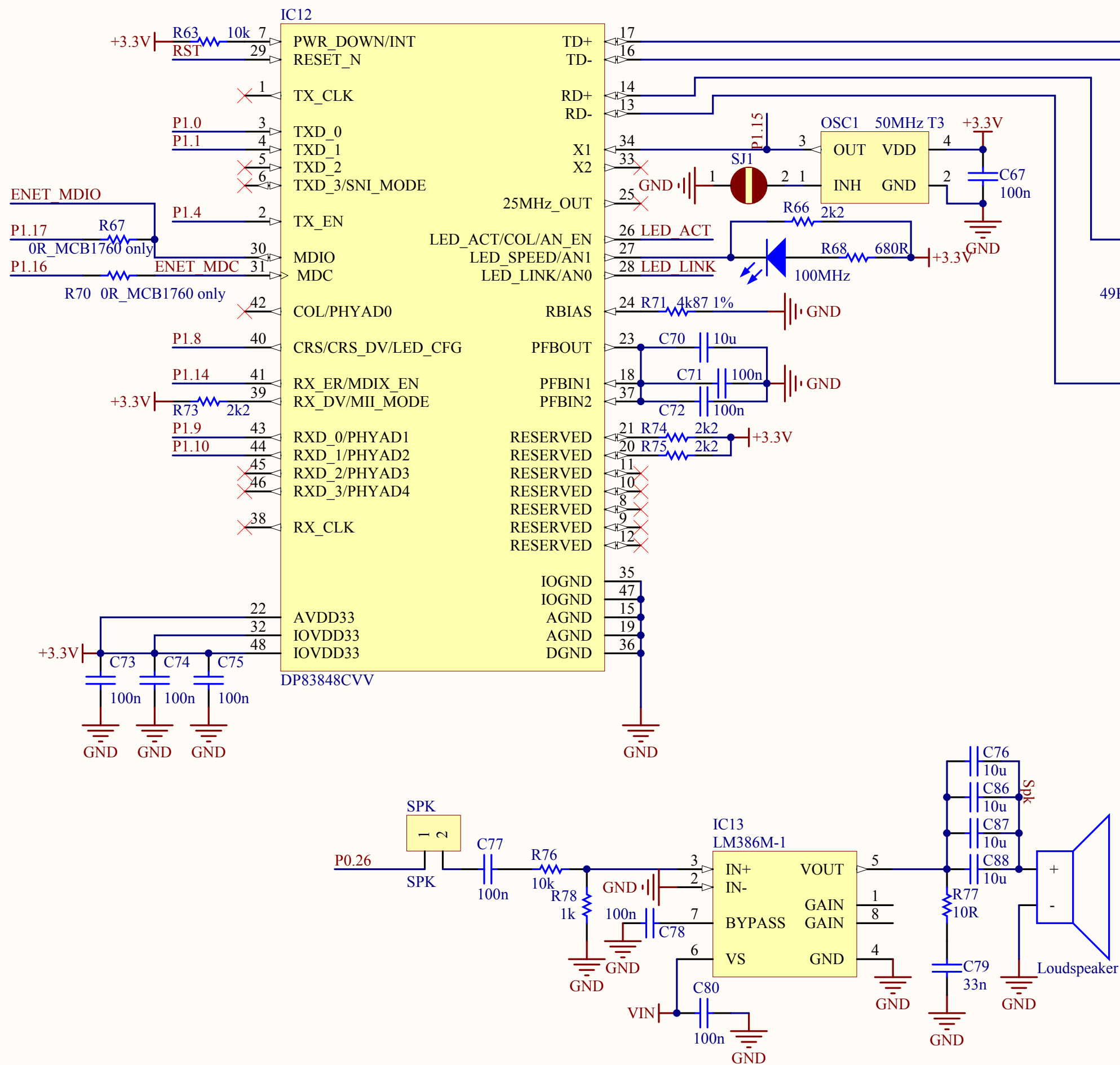
Web: www.keil.com/MCB1700





MCB1700

SD_CAN_DEBUG.SchDoc	Revision: 1.2	 KEIL TM An ARM® Company
Size: A4	Sheet 5 of 6	
Date: 29.7.2009	Web: www.keil.com/MCB1700	



MCB1700

Ethernet_Spk.SchDoc	Revision: 1.2
Size: A4	Sheet 6 of 6
Date: 29.7.2009	Web: www.keil.com/MCB1700