



57mm スピーカ  
2.3inch Speaker

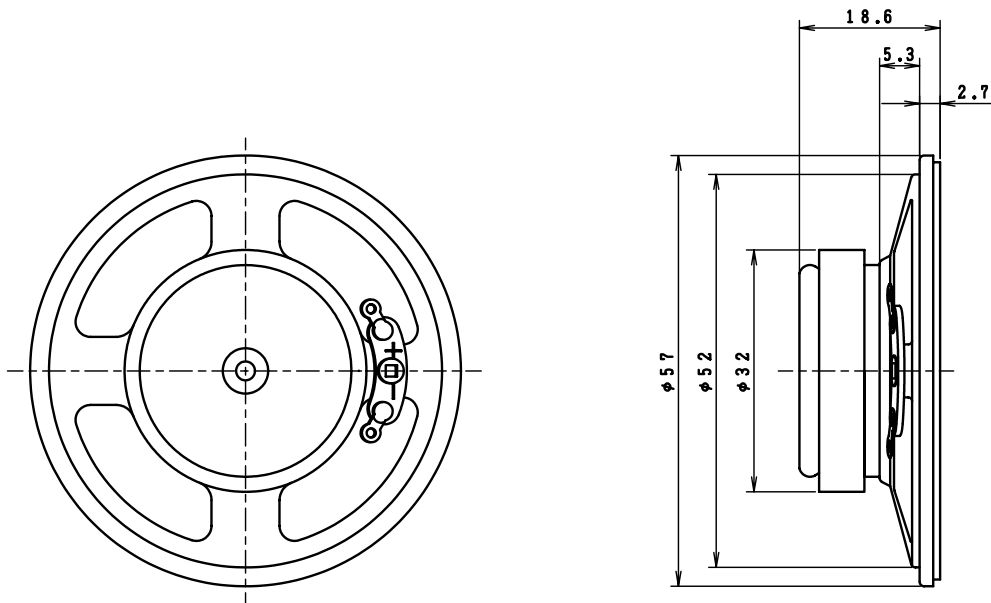
Model No.

F57C55C-1

26 June 2003

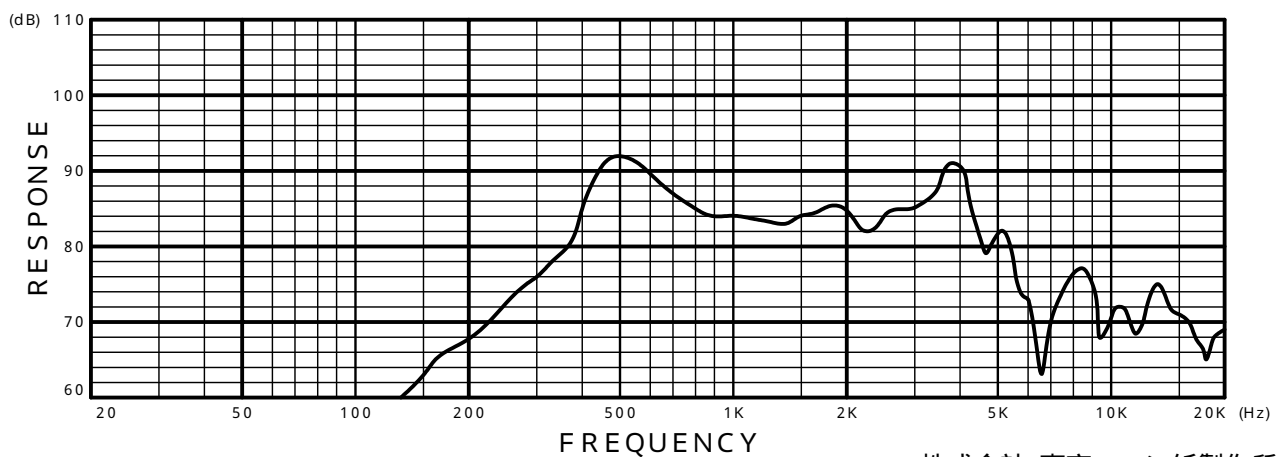
ゼネラルタイプ

General Type



Specifications

Nominal Impedance	-----	8
Nominal Power	-----	0.2W
Maximum Power	-----	0.4W
Resonance Frequency	-----	450 Hz
Effective Frequency Range	-----	F <sub>o</sub> ~ 4,000 Hz
Sound Pressure Level	-----	84 dB W/m
Magnet Size	-----	32 × 18 × t 6 mm
Magnet Weight	-----	16 g (0.58 oz.)
Net Weight	-----	56 g (1.98 oz.)



株式会社 東京コーン紙製作所  
TOKYO CONE PAPER MFG.CO.,LTD.