

RA6T1 Group

Motor Control Evaluation System for RA Family
- RA6T1 Group
User's Manual

Renesas RA Family
RA6 Series

All information contained in these materials, including products and product specifications, represents information on the product at the time of publication and is subject to change by Renesas Electronics Corp. without notice. Please review the latest information published by Renesas Electronics Corp. through various means, including the Renesas Electronics Corp. website (<http://www.renesas.com>).

Notice

1. Descriptions of circuits, software and other related information in this document are provided only to illustrate the operation of semiconductor products and application examples. You are fully responsible for the incorporation or any other use of the circuits, software, and information in the design of your product or system. Renesas Electronics disclaims any and all liability for any losses and damages incurred by you or third parties arising from the use of these circuits, software, or information.
 2. Renesas Electronics hereby expressly disclaims any warranties against and liability for infringement or any other claims involving patents, copyrights, or other intellectual property rights of third parties, by or arising from the use of Renesas Electronics products or technical information described in this document, including but not limited to, the product data, drawings, charts, programs, algorithms, and application examples.
 3. No license, express, implied or otherwise, is granted hereby under any patents, copyrights or other intellectual property rights of Renesas Electronics or others.
 4. You shall not alter, modify, copy, or reverse engineer any Renesas Electronics product, whether in whole or in part. Renesas Electronics disclaims any and all liability for any losses or damages incurred by you or third parties arising from such alteration, modification, copying or reverse engineering.
 5. Renesas Electronics products are classified according to the following two quality grades: "Standard" and "High Quality". The intended applications for each Renesas Electronics product depends on the product's quality grade, as indicated below.
 - "Standard": Computers; office equipment; communications equipment; test and measurement equipment; audio and visual equipment; home electronic appliances; machine tools; personal electronic equipment; industrial robots; etc.
 - "High Quality": Transportation equipment (automobiles, trains, ships, etc.); traffic control (traffic lights); large-scale communication equipment; key financial terminal systems; safety control equipment; etc.
- Unless expressly designated as a high reliability product or a product for harsh environments in a Renesas Electronics data sheet or other Renesas Electronics document, Renesas Electronics products are not intended or authorized for use in products or systems that may pose a direct threat to human life or bodily injury (artificial life support devices or systems; surgical implantations; etc.), or may cause serious property damage (space system; undersea repeaters; nuclear power control systems; aircraft control systems; key plant systems; military equipment; etc.). Renesas Electronics disclaims any and all liability for any damages or losses incurred by you or any third parties arising from the use of any Renesas Electronics product that is inconsistent with any Renesas Electronics data sheet, user's manual or other Renesas Electronics document.
6. When using Renesas Electronics products, refer to the latest product information (data sheets, user's manuals, application notes, "General Notes for Handling and Using Semiconductor Devices" in the reliability handbook, etc.), and ensure that usage conditions are within the ranges specified by Renesas Electronics with respect to maximum ratings, operating power supply voltage range, heat dissipation characteristics, installation, etc. Renesas Electronics disclaims any and all liability for any malfunctions, failure or accident arising out of the use of Renesas Electronics products outside of such specified ranges.
 7. Although Renesas Electronics endeavors to improve the quality and reliability of Renesas Electronics products, semiconductor products have specific characteristics, such as the occurrence of failure at a certain rate and malfunctions under certain use conditions. Unless designated as a high reliability product or a product for harsh environments in a Renesas Electronics data sheet or other Renesas Electronics document, Renesas Electronics products are not subject to radiation resistance design. You are responsible for implementing safety measures to guard against the possibility of bodily injury, injury or damage caused by fire, and/or danger to the public in the event of a failure or malfunction of Renesas Electronics products, such as safety design for hardware and software, including but not limited to redundancy, fire control and malfunction prevention, appropriate treatment for aging degradation or any other appropriate measures. Because the evaluation of microcomputer software alone is very difficult and impractical, you are responsible for evaluating the safety of the final products or systems manufactured by you.
 8. Please contact a Renesas Electronics sales office for details as to environmental matters such as the environmental compatibility of each Renesas Electronics product. You are responsible for carefully and sufficiently investigating applicable laws and regulations that regulate the inclusion or use of controlled substances, including without limitation, the EU RoHS Directive, and using Renesas Electronics products in compliance with all these applicable laws and regulations. Renesas Electronics disclaims any and all liability for damages or losses occurring as a result of your noncompliance with applicable laws and regulations.
 9. Renesas Electronics products and technologies shall not be used for or incorporated into any products or systems whose manufacture, use, or sale is prohibited under any applicable domestic or foreign laws or regulations. You shall comply with any applicable export control laws and regulations promulgated and administered by the governments of any countries asserting jurisdiction over the parties or transactions.
 10. It is the responsibility of the buyer or distributor of Renesas Electronics products, or any other party who distributes, disposes of, or otherwise sells or transfers the product to a third party, to notify such third party in advance of the contents and conditions set forth in this document.
 11. This document shall not be reprinted, reproduced or duplicated in any form, in whole or in part, without prior written consent of Renesas Electronics.
 12. Please contact a Renesas Electronics sales office if you have any questions regarding the information contained in this document or Renesas Electronics products.

(Note1) "Renesas Electronics" as used in this document means Renesas Electronics Corporation and also includes its directly or indirectly controlled subsidiaries.

(Note2) "Renesas Electronics product(s)" means any product developed or manufactured by or for Renesas Electronics.

(Rev.4.0-1 November 2017)

Corporate Headquarters

TOYOSU FORESIA, 3-2-24 Toyosu,
Koto-ku, Tokyo 135-0061, Japan
www.renesas.com

Trademarks

Renesas and the Renesas logo are trademarks of Renesas Electronics Corporation. All trademarks and registered trademarks are the property of their respective owners.

Contact information

For further information on a product, technology, the most up-to-date version of a document, or your nearest sales office, please visit:
www.renesas.com/contact/.

General Precautions in the Handling of Microprocessing Unit and Microcontroller Unit Products

The following usage notes are applicable to all Microprocessing unit and Microcontroller unit products from Renesas. For detailed usage notes on the products covered by this document, refer to the relevant sections of the document as well as any technical updates that have been issued for the products.

1. Precaution against Electrostatic Discharge (ESD)

A strong electrical field, when exposed to a CMOS device, can cause destruction of the gate oxide and ultimately degrade the device operation. Steps must be taken to stop the generation of static electricity as much as possible, and quickly dissipate it when it occurs. Environmental control must be adequate. When it is dry, a humidifier should be used. This is recommended to avoid using insulators that can easily build up static electricity. Semiconductor devices must be stored and transported in an anti-static container, static shielding bag or conductive material. All test and measurement tools including work benches and floors must be grounded. The operator must also be grounded using a wrist strap. Semiconductor devices must not be touched with bare hands. Similar precautions must be taken for printed circuit boards with mounted semiconductor devices.

2. Processing at power-on

The state of the product is undefined at the time when power is supplied. The states of internal circuits in the LSI are indeterminate and the states of register settings and pins are undefined at the time when power is supplied. In a finished product where the reset signal is applied to the external reset pin, the states of pins are not guaranteed from the time when power is supplied until the reset process is completed. In a similar way, the states of pins in a product that is reset by an on-chip power-on reset function are not guaranteed from the time when power is supplied until the power reaches the level at which resetting is specified.

3. Input of signal during power-off state

Do not input signals or an I/O pull-up power supply while the device is powered off. The current injection that results from input of such a signal or I/O pull-up power supply may cause malfunction and the abnormal current that passes in the device at this time may cause degradation of internal elements. Follow the guideline for input signal during power-off state as described in your product documentation.

4. Handling of unused pins

Handle unused pins in accordance with the directions given under handling of unused pins in the manual. The input pins of CMOS products are generally in the high-impedance state. In operation with an unused pin in the open-circuit state, extra electromagnetic noise is induced in the vicinity of the LSI, an associated shoot-through current flows internally, and malfunctions occur due to the false recognition of the pin state as an input signal become possible.

5. Clock signals

After applying a reset, only release the reset line after the operating clock signal becomes stable. When switching the clock signal during program execution, wait until the target clock signal is stabilized. When the clock signal is generated with an external resonator or from an external oscillator during a reset, ensure that the reset line is only released after full stabilization of the clock signal. Additionally, when switching to a clock signal produced with an external resonator or by an external oscillator while program execution is in progress, wait until the target clock signal is stable.

6. Voltage application waveform at input pin

Waveform distortion due to input noise or a reflected wave may cause malfunction. If the input of the CMOS device stays in the area between V_{IL} (Max.) and V_{IH} (Min.) due to noise, for example, the device may malfunction. Take care to prevent chattering noise from entering the device when the input level is fixed, and also in the transition period when the input level passes through the area between V_{IL} (Max.) and V_{IH} (Min.).

7. Prohibition of access to reserved addresses

Access to reserved addresses is prohibited. The reserved addresses are provided for possible future expansion of functions. Do not access these addresses as the correct operation of the LSI is not guaranteed.

8. Differences between products

Before changing from one product to another, for example to a product with a different part number, confirm that the change will not lead to problems. The characteristics of a microprocessing unit or microcontroller unit products in the same group but having a different part number might differ in terms of internal memory capacity, layout pattern, and other factors, which can affect the ranges of electrical characteristics, such as characteristic values, operating margins, immunity to noise, and amount of radiated noise. When changing to a product with a different part number, implement a system-evaluation test for the given product.

Renesas RA Family

Motor Control Evaluation System for RA Family - RA6T1 Group User's Manual

Contents

1. Overview.....	4
1.1 Presupposition and precautions of this document	6
2. Product Contents.....	7
3. Product Order Information	7
4. Hardware Configuration and Default Setting	8
4.1 Hardware configuration	8
4.2 Block diagram.....	11
4.3 Jumper pin setting	12
5. Inverter Board Specification	13
5.1 Overview.....	13
5.2 Functions	13
5.2.1 Inverter control circuit block.....	13
5.2.2 Current detection circuit	14
5.2.3 Overcurrent detection circuit	15
5.2.4 Output voltage detection circuit.....	16
5.2.5 Voltage generation circuit.....	16
5.2.6 LED.....	17
5.2.7 Toggle switch and push switch.....	17
5.2.8 Variable resistor	17
5.3 Pin assignment.....	18
5.3.1 Connector pin function assignment.....	18
6. RA6T1 CPU Card Specification.....	20
6.1 Overview.....	20
6.2 Functions	20
6.2.1 Power supply	20
6.2.2 Onboard emulator	20
6.2.3 Inverter board connector	21
6.2.4 Serial communication connector	22
6.2.5 Hall sensor signal input	22
6.2.6 Encoder signal input.....	22
6.2.7 Unused pins.....	23

6.2.8	Reset circuit.....	23
6.2.9	LED.....	23
6.2.10	CAN Communication.....	23
6.2.11	SPI communication	24
6.2.12	2nd inverter board connection.....	24
6.2.13	RA6T1 pin function list	25
7.	Certification.....	28
7.1	European Union regulatory notices	28
8.	Design and Manufacture Information	29
9.	Website and Support	29

Figure of contents

Figure 1-1	Main board (top view).....	5
Figure 1-2	Main board (bottom view).....	5
Figure 2-1	Product contents	7
Figure 4-1	Motor Control Evaluation System for RA Family - RA6T1 Group.....	11
Figure 4-2	Jumper pin setting.....	12
Figure 5-1	Illustration of inverter control circuit block	13
Figure 5-2	Current detection circuit	14
Figure 5-3	Overcurrent detection circuit	15
Figure 5-4	Output voltage detection circuit.....	16

Table of contents

Table 4-1 Motor Control Evaluation System for RA Family - RA6T1 Group specification (1/3).....	8
Table 4-2 Motor Control Evaluation System for RA Family - RA6T1 Group specification (2/3).....	9
Table 4-3 Motor Control Evaluation System for RA Family - RA6T1 Group specification (3/3).....	10
Table 4-4 Jumper pin setting	12
Table 5-1 Relation between Iin and Vout	14
Table 5-2 Voltage generation circuit.....	16
Table 5-3 LED.....	17
Table 5-4 Toggle switch and push switch.....	17
Table 5-5 Variable resistance specification	17
Table 5-6 Board-to Board connector (CNA)	18
Table 5-7 Board-to Board connector (CNB)	19
Table 5-8 Board-to-Board connector (CN10)	19
Table 6-1 Inverter board connector (CNA) pin assignment.....	21
Table 6-2 Inverter board connector (CNB) pin assignment.....	21
Table 6-3 Serial communication connector (CN10) pin assignment	22
Table 6-4 Pin for hall sensor signal input (CN5) pin assignment	22
Table 6-5 Through holes for encoder signal input (CN7) pin assignment.....	22
Table 6-6 Through hole for unused pin (CN9) pin assignment	23
Table 6-7 LED pin assignment	23
Table 6-8 CAN communication pin assignment	23
Table 6-9 SPI communication pin assignment	24
Table 6-10 2nd inverter board connector (CNC) pin assignment.....	24
Table 6-11 RA6T1 pin function list	25

1. Overview

Motor Control Evaluation System for RA Family - RA6T1 Group is a motor control evaluation kit. By using this product, motor control can be performed easily.

Motor Control Evaluation System for RA Family - RA6T1 Group has characteristics shown below.

- (1) Supports permanent magnet synchronous motor.
- (2) Supports 3-shunt current detection.
- (3) Equipped with USB mini B for Motor Control Development Support Tool communication.
- (4) Provides overcurrent protection function using overcurrent detection circuit.

Motor Control Evaluation System for RA Family - RA6T1 Group consists of 2 boards, which are the inverter board and the RA6T1 CPU Card. Main functions are listed below.

① Inverter board

- Operating input voltage : DC24~48V
 - DC jack (J1)
 - Power supply connector (CN1)
- Switch
 - Toggle switch (SW1)
 - Push switch (SW2)
- LED
 - LED1, LED2, LED3
 - LED for power source for inverter control circuit block
- Connector
 - Board to board connector (CNA, CNB)
 - USB minB connector
 - Motor connector (CN2)
- Variable resistor (VR1)

② RA6T1 CPU Card

- R7FA6T1AD3CFP MCU (hereinafter called "RA MCU")
- Connector
 - Board to board connector (CNA, CNB)
 - USB connector for J-Link OB
 - SCI connector for Renesas Motor Workbench communication
 - Through hole for CAN communication
 - Through hole for SPI communication
 - Connector for hall sensor signal input
 - Connector for encoder signal input
 - 10/20 pin through hole for Arm debugger
 - Through hole for 2nd inverter
 - Connection pattern for J-Link 6pin Needle Adapter
- LED
LED for user control x2
- Switch
Switch for MCU external reset

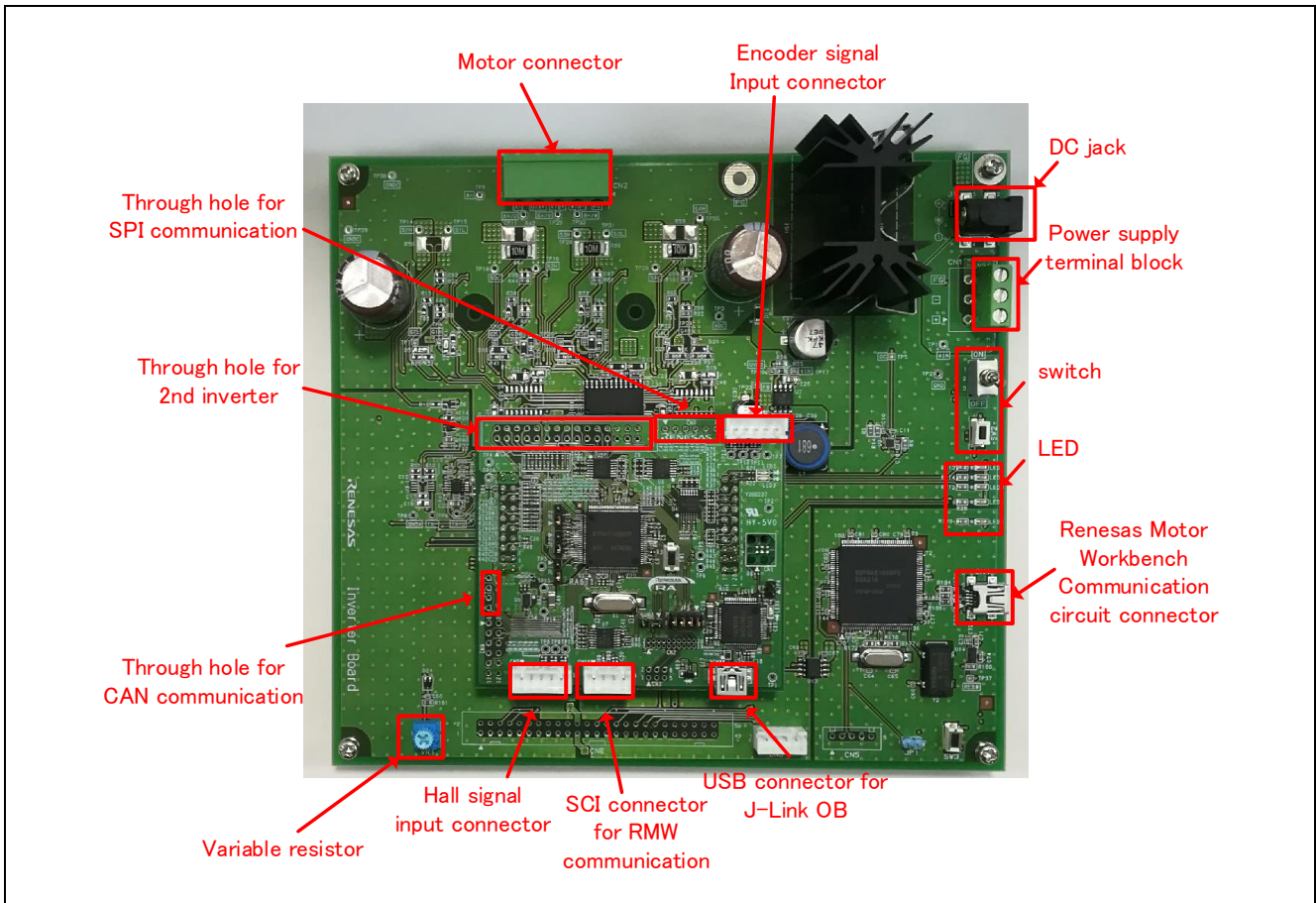


Figure 1-1 Main board (top view)

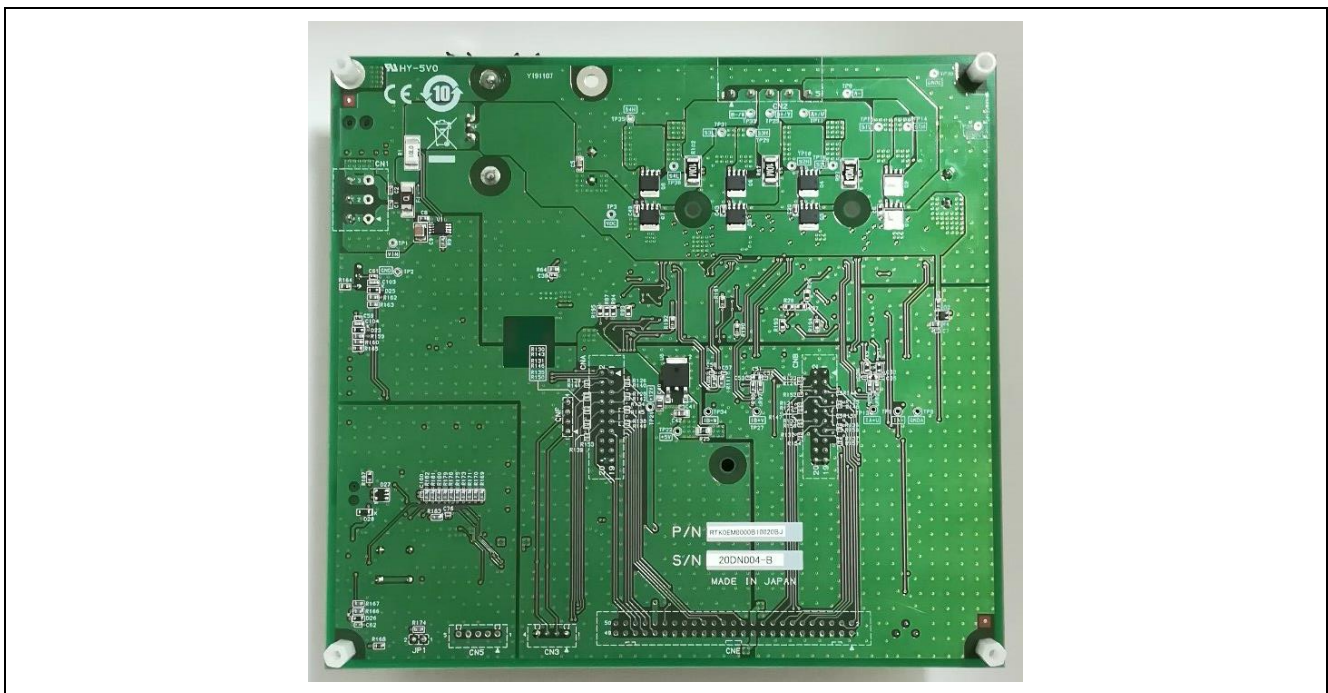


Figure 1-2 Main board (bottom view)

1.1 Presupposition and precautions of this document

1. Experience of using tools: This document assumes that the user has used terminal emulation program of Integrated Development Environment (IDE) such as e2 studio before.
2. Knowledge about the development subject: This document assumes that the user has a basic knowledge to modify the sample project regarding MCU and embedded system.
3. Before using this product, wear an antistatic wrist strap. If you touch this product with static charge on your body, a device failure may occur or operation may become unstable
4. To use this product prepare the following items, too.
 - Stabilized power supply : Output voltage of DC24 V or higher, the upper limit of the output current can be set at 1A
 - Power supply cable (x2) : Cables which enable to apply the current of 1A or higher.
(To connect the stabilized power supply and the inverter board)
5. All screen shots provided in this document is for reference. Actual screen displays may differ depending on the software and development tool version which you use.

2. Product Contents

This kit consists of the following parts.

1. Inverter Board (RTK0EM0000B10020BJ)
2. RA6T1 CPU Card (RTK0EMA170C00000BJ)
3. Brushless DC Motor (TG-55L-KA 24V)
4. Motor Cable
5. Communication Cable
6. USB Cable
7. Ferrite Core



Figure 2-1 Product contents

3. Product Order Information

Product model name to order Motor Control Evaluation System for RA Family - RA6T1 Group :
RTK0EMA170S00020BJ

4. Hardware Configuration and Default Setting

4.1 Hardware configuration

Motor Control Evaluation System for RA Family - RA6T1 Group consists of the inverter board and the RA6T1 CPU Card. Specifications as a kit and for the relevant boards are listed below.

Table 4-1 Motor Control Evaluation System for RA Family - RA6T1 Group specification (1/3)


Item	Specification	
Product name	Motor Control Evaluation System for RA Family - RA6T1 Group	
Kit model name	RTK0EMA170S00020BJ	
Kit configuration	Inverter board	RTK0EM0000B10020BJ
	RA6T1 CPU Card	RTK0EMA170C00000BJ
	Permanent Magnet Synchronous Motor	TG-55L-KA (Tsukasa Electric Co.,LTD) Rated voltage : 24[V] Rated current : 0.42[A]
Inverter circuit - CPU card	Non-isolated	
External view	 <p>Note: The actual product may differ from this photo.</p>	
Board size	Inverter board : 175 mm (width) x 160 mm (length) RAT1 CPU Card : 78 mm (width) x 70 mm (length)	
Operating temperature	Room temperature	
Operating humidity	No condensation allowed	
EMC Directive	Europe : EN61326-1 : 2013 Class A	

Table 4-2 Motor Control Evaluation System for RA Family - RA6T1 Group specification (2/3)

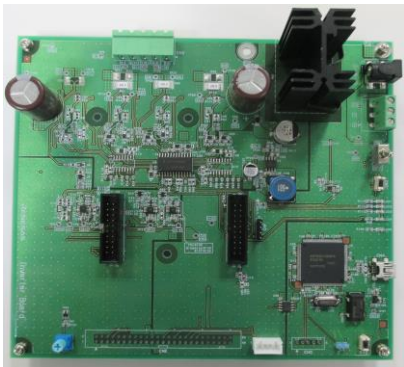

Item	Specification
Product name	Inverter board
Board model name	RTK0EM0000B10020BJ
External view	 <p>Note: The actual product may differ from this photo.</p>
Operating input voltage	DC 24~48 V ($\pm 5\%$) Select one from the below <ul style="list-style-type: none"> • Power supply connector • Center-positive DC jack
Maximum input power	250 W
Rated output capacity	250 VA
Rated output current	AC 5 A (RMS value)
Switching frequency	2 kHz ~ 20 kHz (Reference value)
Current detection method	3-shunt method
Shunt resistor	10 mohm
PWM logic	Lower arm: Positive logic Upper arm: Negative logic
DC bus voltage detection (bus voltage detection)	Detection by resistance division (5 V ~ 48 V)
3-phase output voltage detection	Detection by resistance division (0 V ~ 48 V)
3-phase output current detection	MOSFET Detection using shunt resistor under the source (-10 A ~ +10 A)
Overcurrent detection function	10 A
Communication interface	USB mini B *Communicating with PC requires Motor Control Development Support Tool by Renesas Electronics.
Connector	<ul style="list-style-type: none"> • CPU card connector x2 • USB mini B connector • Power input connector • Motor connector
Switch	<ul style="list-style-type: none"> • Toggle switch x1 • Push switch x1
LED	<ul style="list-style-type: none"> • LED x3 • LED for power source for inverter control circuit block

Table 4-3 Motor Control Evaluation System for RA Family - RA6T1 Group specification (3/3)

item		Specification
Product name		RA6T1 CPU Card
Board model name		RTK0EMA170C0000BJ
Compatible inverter board / product name		Inverter board supplied with Evaluation System for BLDC Motor / RTK0EM0000B10020BJ
External view		 <p>Note: The actual product may differ from this photo.</p>
Mounted MCU	Product group	RA6T1 group
	Product name	R7FA6T1AD3CFP
	CPU maximum operating frequency	120MHz
	Bit number	32 bit
	Package / Pin number	LFQFP / 100 pin
	RAM	512K byte
MCU input clock		10MHz (Generate with external crystal oscillator)
Input power supply voltage		DC 5V ($\pm 5\%$) Select one from the below <ul style="list-style-type: none"> • Power is supplied from compatible inverter board • Power is supplied from USB connector
Compatible sensor		Hall sensor, Encoder
Compatible emulator		J-Link-OB (Onboard emulator circuit)
Connector		<ul style="list-style-type: none"> • Inverter board connector x2 • USB connector for J-Link OB • SCI connector for Renesas Motor Workbench communication • Through hole for CAN communication • Through hole for SPI communication • Connector for hall sensor signal input • Connector for encoder signal input • 10/20 pin through hole for Arm debugger • Through hole for 2nd inverter • Connection pattern for J-Link 6pin Needle Adapter
Switch		Switch for MCU external reset
LED		LED for user control x2
Operating temperature		Room temperature
Operating humid		No condensation allowed

4.2 Block diagram

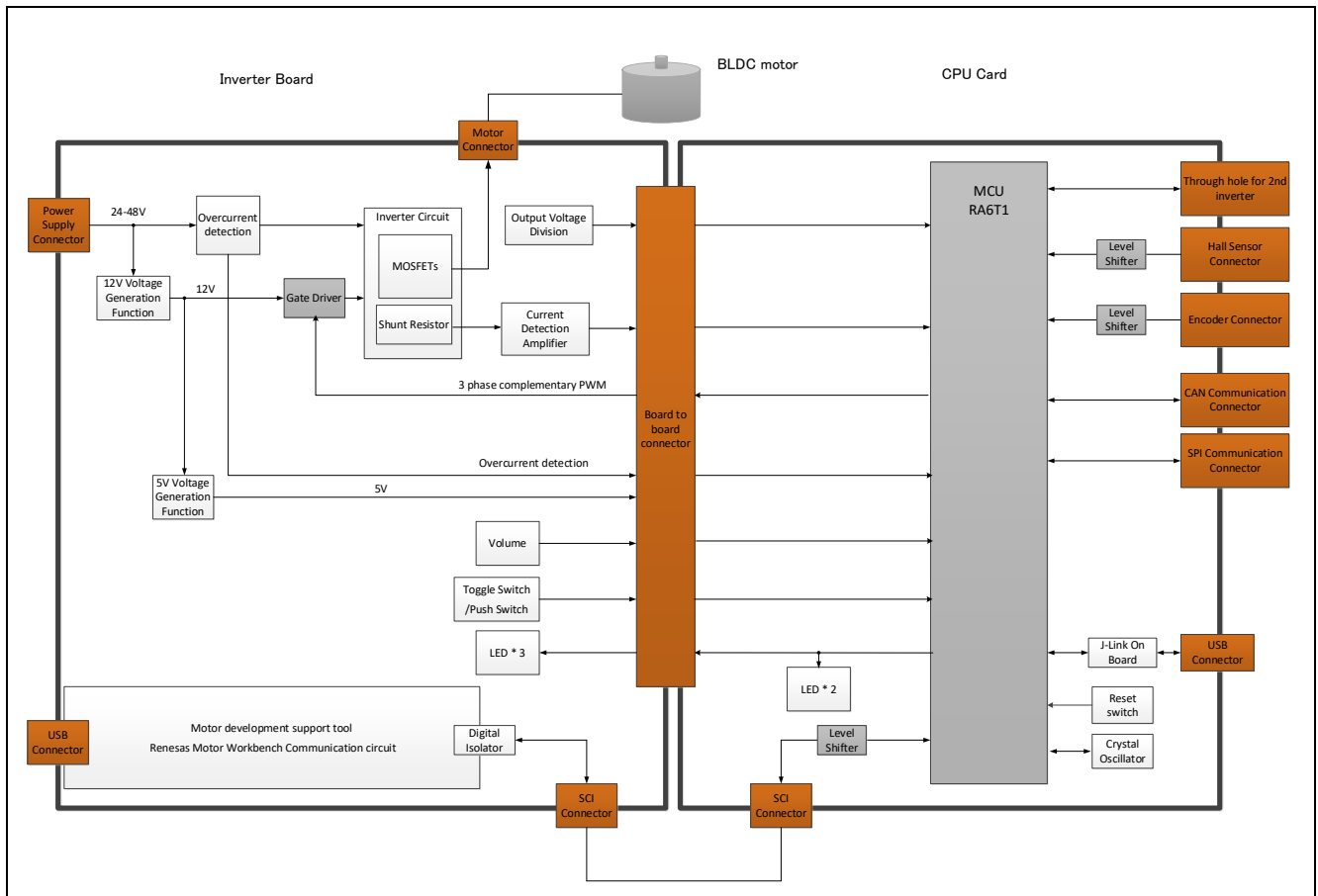


Figure 4-1 Motor Control Evaluation System for RA Family - RA6T1 Group

4.3 Jumper pin setting

Check that the jumper pins (JP1~JP6) are set as shown in the below table.

Table 4-4 Jumper pin setting

Jumper Pin	State
JP1	2-3pin short
JP2	2-3pin short
JP3	1-2pin short
JP4	1-2pin open
JP5	1-2pin, 3-4pin, 5-6pin, 7-8pin short
JP6	1-2pin short

A/D pins are via voltage dividers and offsets and so on. Refer to the circuit diagram for details.

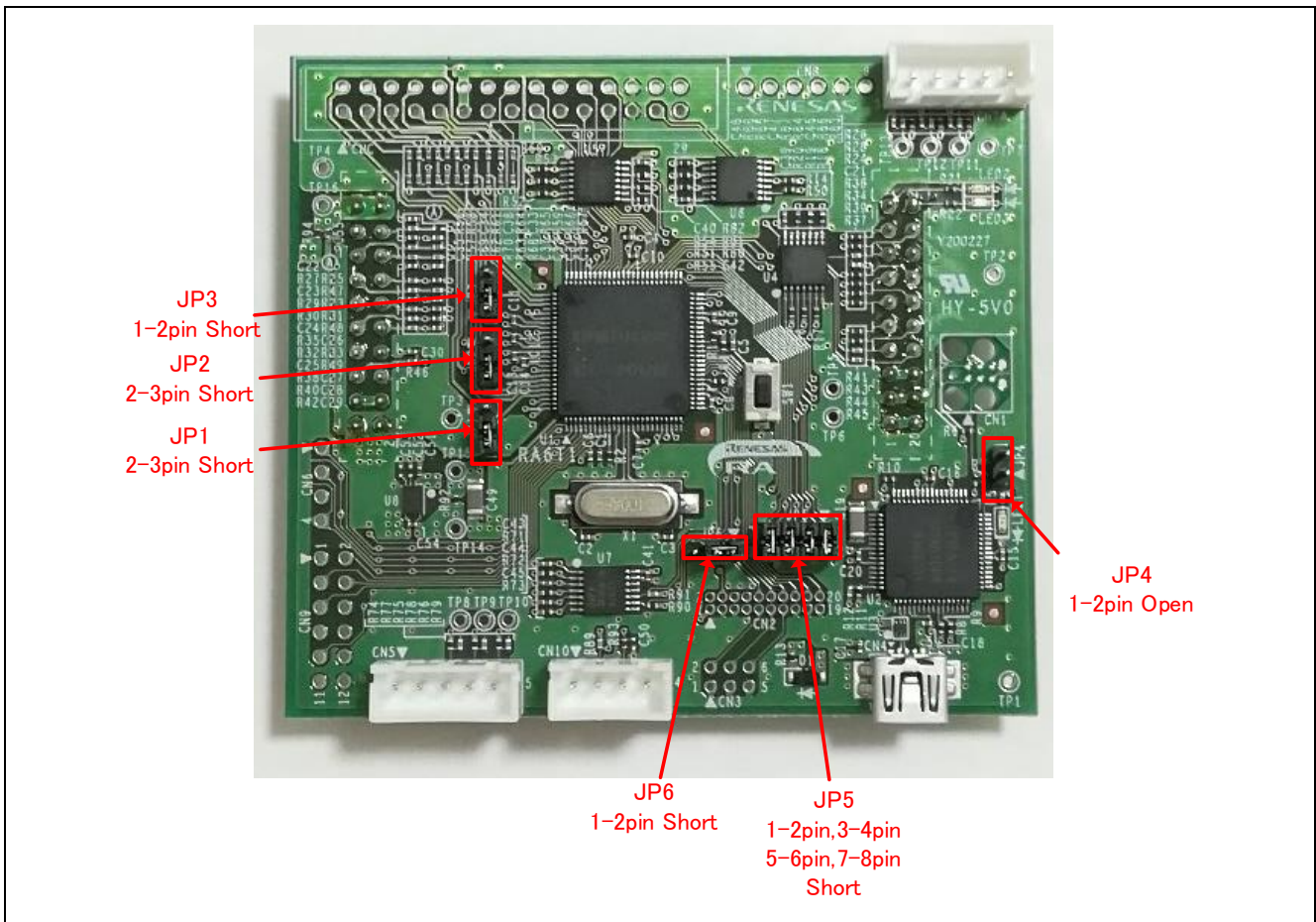


Figure 4-2 Jumper pin setting

5. Inverter Board Specification

This section describes inverter board specification.

5.1 Overview

By connecting the inverter board with the CPU card by Renesas Electronics, motor can be operated.

5.2 Functions

5.2.1 Inverter control circuit block

The INV-BRD has the inverter control circuit block which controls the motor with 6 POWER MOS-FETs. POWER MOS-FET controls with 6-phase timer output by the microcontroller.

The inverter control circuit block outputs DC bus voltage, U, V and W phase voltage and shunt current to the connectors (CNA, CNB). By entering these output values in A/D of the microcomputer of the CPU card, analog values of the voltage and the shunt current of each phase can be measured. Refer to 5.2.2 and 5.2.4 for the current detection and the voltage detection, respectively. Also function to detect overcurrent from the input current is available. Refer to 5.2.3 for details.

An illustration of the inverter control circuit block is shown in Figure 5-1. In the actual circuit, some inputs on the A/D pins are via voltage dividers and offsets and so on. Refer to the circuit diagram for details.

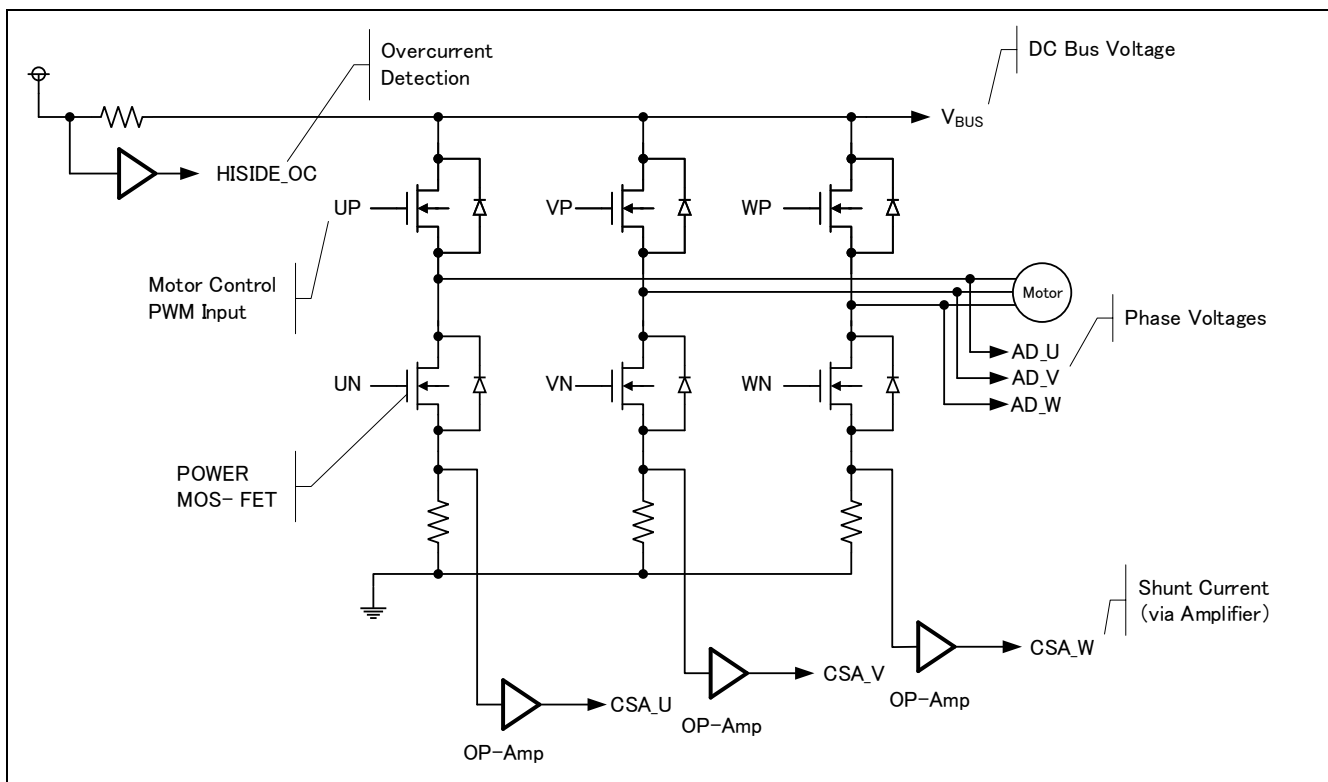


Figure 5-1 Illustration of inverter control circuit block

5.2.2 Current detection circuit

The UNV-BRD has the current detection circuit to measure the current at the U, V and W phase. The current detection circuit uses shunt resistance at each phase. Voltage drop caused by the current flowing through the shunt resistor is amplified by the current detection amplifier to output. The relation between I_{in} which is the current flowing through the shunt resistor and V_{out} which is the voltage output from the current detection circuit is described by the below equation (1).

$$V_{out}[V] = I_{in}[A] \times R_s[\Omega] \times 20 + 2.5 \quad (1)$$

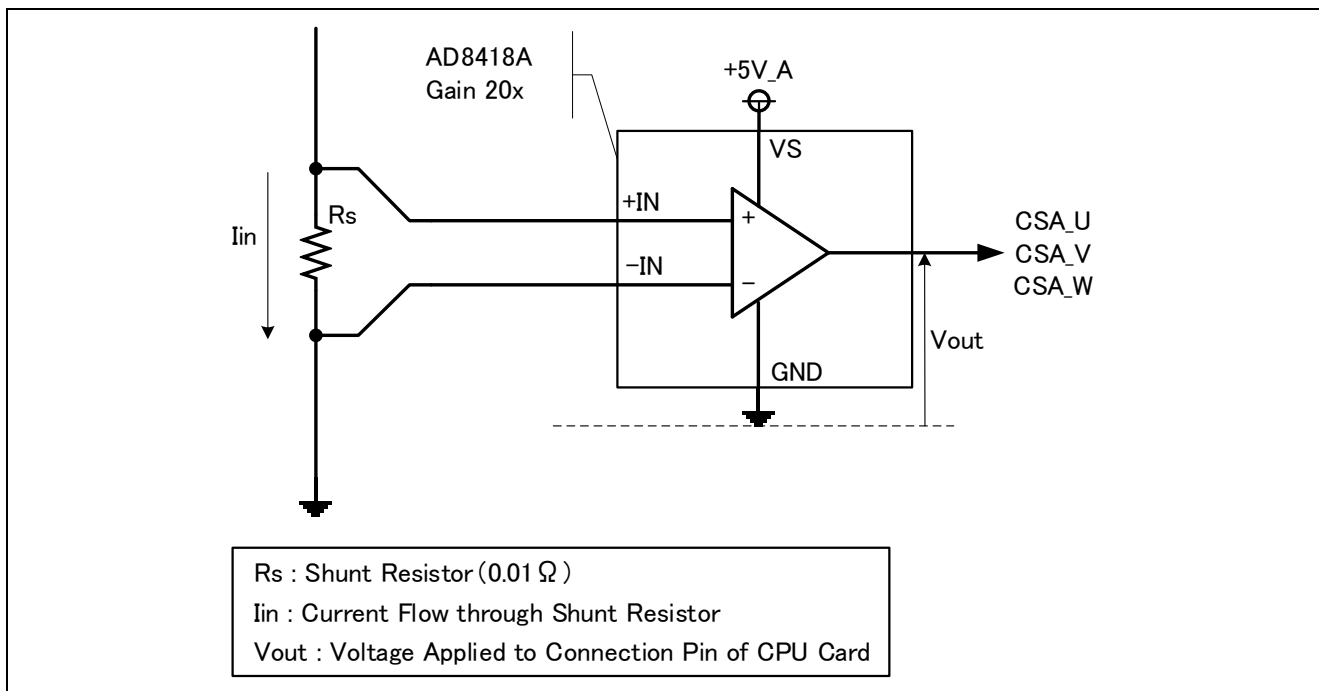


Figure 5-2 Current detection circuit

Table 5-1 Relation between I_{in} and V_{out}

I_{in} [A]	V_{out} [V]
10	4.5
2	2.9
0	2.5
-2	2.1
-10	0.5

5.2.3 Overcurrent detection circuit

Detect the overcurrent from the input current, using the overcurrent detection circuit illustrated in Figure 5-3. If the current value is within the range of threshold, detected overcurrent will be Low, although HISIDE_OC is High. Therefore, by monitoring the OC pin and forcing the timer output pin into the Hi-Z state when OC is low, you can protect the board and motor.

~~The overcurrent detection circuit does not directly protect the board and motor. Protect them by performing appropriate processing with equipment such as microcontroller.~~

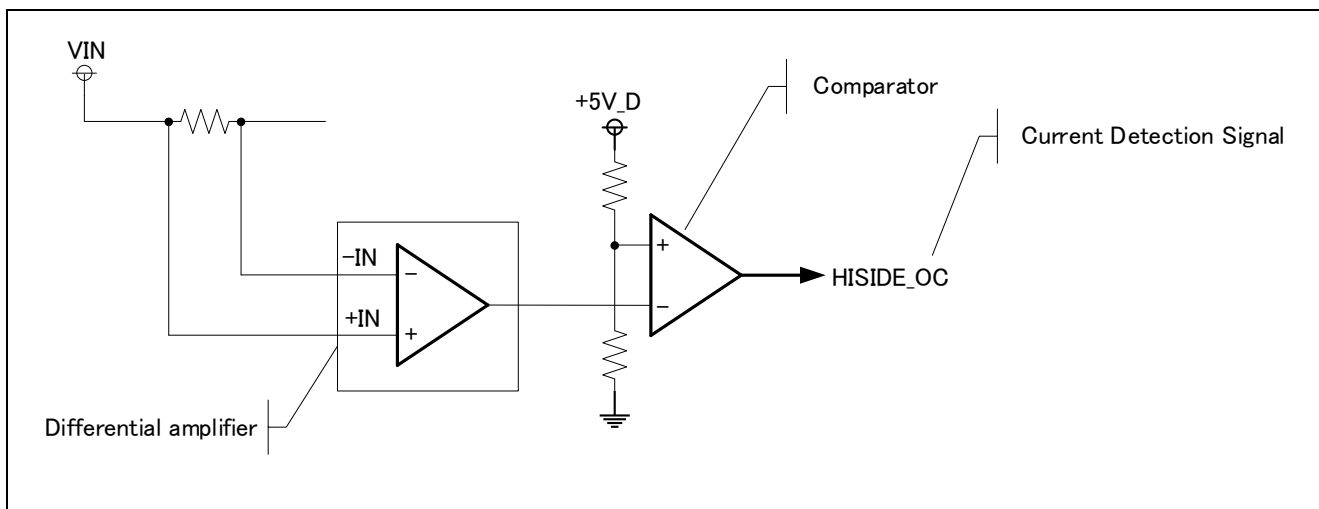


Figure 5-3 Overcurrent detection circuit

5.2.4 Output voltage detection circuit

The INV-BRD has the circuit that inputs bus voltage and three-phase output voltage (U, V and W phase) into the AD pin of the microcontroller through resistive voltage divider. Relation between the three-phase output voltage, the bus voltage and the detection voltage is described by the below equation (2).

$$V_{out}[V] = \frac{470}{10 \times 10^3 + 470} \times V_{in}[V] \quad (2)$$

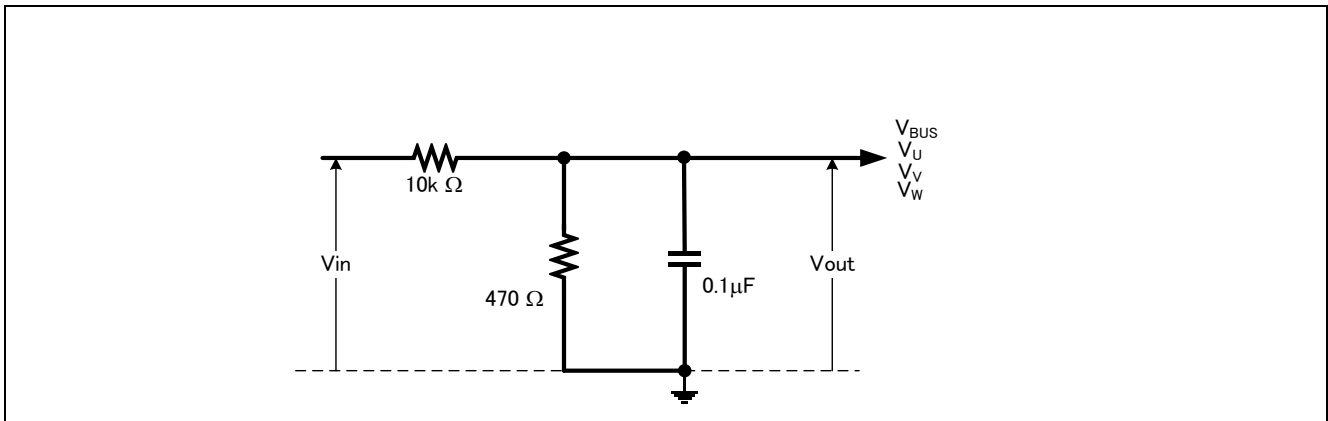


Figure 5-4 Output voltage detection circuit

5.2.5 Voltage generation circuit

The INV- BRD generates voltage of 12V and 5V from the main power supply (24~48V)

Table 5-2 Voltage generation circuit

Item	Input voltage [V]	Output voltage (TYP.) [V]	Output current (Max) [A]	Application
12Vgeneration	24~48	12	0.6	<ul style="list-style-type: none"> ● 5V generation ● Gate driver IC
5Vgeneration	12	5	0.5	<ul style="list-style-type: none"> ● MCU power supply

5.2.6 LED

The INV-BRD has three LEDs which the user can control. The user can control them from the RA6T1 CPU Card.

Table 5-3 LED

Pins Compatible with CPU Card Connector		LED1	LED2	LED3
CNA-1	Hi	Off	-	-
	Low	On	-	-
CNA-2	Hi	-	Off	-
	Low	-	On	-
CNA-3	Hi	-	-	Off
	Low	-	-	On

5.2.7 Toggle switch and push switch

The INV-BRD has toggle switch (SW1) and push switch (SW2). The user can use them at his or her discretion

Table 5-4 Toggle switch and push switch

Pins Compatible with CPU Card Connector		SW1	SW2
CNA-13	Hi	OFF	-
	Low	ON	-
CNA-14	Hi	-	RELEASE
	Low	-	PUSH

5.2.8 Variable resistor

The INV-BRD has a variable resistor (VR1). The user can use the resistor at his or her discretion. If turning the variable resistor clockwise, terminal voltage of the variable resistor (CNB-15) becomes low. If turning it counterclockwise, the voltage becomes high

Table 5-5 Variable resistance specification

Item	Specification
Input voltage range	0~+5V_A
Variable resistor range	0~10k Ω

5.3 Pin assignment

5.3.1 Connector pin function assignment

Table 5-6 Board-to Board connector (CNA)

Pin No.	Output direction	Signal	Connection destination (Inverter board)	Connection destination (CPU card)
1	To INV	LED1#	LED1	U1.24 P408
2	To INV	LED2#	LED2	U1.25 P407
3	To INV	LED3#	LED3	U1.30 P207
4	To INV	VRL	-	Buffer output U4.6
5	To CPU	Overcurrent detection	Comparator output U2.1	Buffer input U4.9
6	-			-
7	To INV	PWM phase WN	Gate driver U6.11 CLI	U1.55 P112/GTIOC3B
8	To INV	PWM phase VN	Gate driver U6.4 ALI	U1.57 P114/GTIOC2B
9	To INV	PWM phase UN	Gate driver U6.3 BLI	U1.18 P414/GTIOC0B
10	To INV	PWM phase WP	Gate driver U6 12 CHI	U1.54 P111/GTIOC3A
11	To INV	PWM phase VP	Gate driver U6.5 AHI	U1.56 P113/GTIOC2A
12	To INV	PWM phase UP	Gate driver U6.2 BHI	U1.17 P415/GTIOC0A
13	To CPU	SW1	SW1	U1.48 P302
14	To CPU	SW2	SW2	U1.49 P301
15	To CPU	Digital 5V	+5V_D	+5V_D
16	To CPU	Digital 5V	+5V_D	+5V_D
17	To CPU	Digital GND	GND_D	GND_D
18	To CPU	Digital GND	GND_D	GND_D
19	-	-	-	-
20	-	-	-	-

Table 5-7 Board-to Board connector (CNB)

Pin No	Output direction	Signal	Connection destination (Inverter board)	Connection destination (CPU card)
1	To CPU	Analog 5V	+5V_A	+5V_A
2	To CPU	Analog 5V	+5V_A	+5V_A
3	To CPU	-	GND_A	-
4	To CPU	Differential input current detection	R97,R76,C52	U1.97 P003/PGAVSS000
5	To CPU	Phase U current detection	Current detection amplifier U5.5	U1.100 P000/AN000
6	To CPU	Phase V current detection	Current detection amplifier U9.5	U1.99 P001/AN001
7	To CPU	Phase W current detection	Current detection amplifier U11.5	U1.98 P002/AN002
8	To CPU	Supply voltage divider	R2, R4	U1.85. P014/AN005
9	-	-	-	-
10	To CPU	Phase U voltage divider	R32, R40	U1.80 P504/AN018
11	To CPU	Phase V voltage divider	R72, R77	U1.81 P508/AN020
12	To CPU	Phase W voltage divider	R105, R108	U1.84 P015/AN006
13	-	-	-	-
14	-	-	-	-
15	To CPU	Volume	VR1	U1.78 P502/AN017
16	-	-	-	-
17	To CPU	Digital 5V	+5V_D	+5V_D
18	To CPU	Digital 5V	+5V_D	+5V_D
19	To CPU	Analog ground	GND_A	GND_A
20	To CPU	Analog ground	GND_A	GND_A

Table 5-8 Board-to-Board connector (CN10)

Pin No	Output direction	Signal	Connection destination (Inverter board)	Connection destination (CPU card)
1	To INV	RMW communication transmission	U13.3 A2	U2.22 PD3/TXD1
2	-	Digital ground	GND_D	GND_D
3	To CPU	RMW communication reception	U13.2 A1	U2.20 PD5/RXD1
4	-	Digital ground	GND_D	GND_D

6. RA6T1 CPU Card Specification

This section describes the specification of the RA6T1 CPU Card.

6.1 Overview

RA6T1 CPU Card is the option board for the Evaluation System for BLDC Motor. This product operates the motor by connecting to the Evaluation System for BLDC Motor.

6.2 Functions

6.2.1 Power supply

This product does not have a connector dedicated for power supply. If you do not connect it to the inverter board, the power needs to be supplied from the USB connector. However, if you connect it to the inverter board, the power is supplied from the inverter board, accordingly, in this case, you are not allowed to supply power from the USB connector.

6.2.2 Onboard emulator

This product has the onboard emulator circuit, J-Link On-Board (hereinafter called "J-Link-OB"). The program of RA6T1 is rewritten by J-Link-OB, which can be done by connecting the USB connector of this product and USB of the PC. J-Link-OB operates as emulator equivalent to E2Lite. If connecting from Integrated Development Environment or Renesas Flash Programmer, set the type of emulator (tool) to "E2Lite", power supply to "not supply power" at the time of setting. In addition, since J-Link-OB is operated in the onboard debug mode, set JP4 to "open", JP6, "1-2pin short".

6.2.3 Inverter board connector

This product can be connected to the inverter board via the inverter board connectors (CNA, CNB). Pin assignment for the inverter board connectors is listed in the Table 6-1 and Table 6-2.

Table 6-1 Inverter board connector (CNA) pin assignment

Pin No	Pin Function	RA6T1 Connection Pin	Pin No	Pin Function	RA6T1 Connection Pin
1	LED1#	P408	2	LED2#	P407
3	LED3#	P207	4	VRL	P201
5	FO#	P503/GTETRGC	6	INVRES	-
7	WN	P112/GTIOC3B	8	VN	P114/GTIOC2B
9	UN	P414/GTIOC0B	10	WP	P111/GTIOC3A
11	VP	P113/GTIOC2A	12	UP	P415/GTIOC0A
13	SW1#	P302	14	SW2#	P301
15	+5VA	- (+5VA)	16	+5VA	- (+5VA)
17	GND	GND	18	GND	GND
19	VCC33_A	VCC	20	VCC33_A	VCC

Table 6-2 Inverter board connector (CNB) pin assignment

Pin No	Pin Function	RA6T1 Connection Pin	Pin No	Pin Function	RA6T1 Connection Pin
1	AVCC	- (AVCC)	2	AVCC	- (AVCC)
3	-	-	4	PGAVSS1	P003/PGAVSS000(*1)
5	IU	P000/AN000	6	IV	P001/AN001
7	IW	P002/AN002	8	VPN	P014/AN005
9	TEMP	-	10	VU	P504/AN018
11	VV	P508/AN020	12	VW	P015/AN006
13	VAC	-	14	IPFC	-
15	VR	P502/AN017(*2)	16	RSVIN	-
17	VCC	- (UVCC)	18	VCC	- (UVCC)
19	GND	GND	20	GND	GND

*1 Default is connecting to "4pin" on CNB. Can connect to GND by jumper switch.

*2 Default is connecting to "15pin" on CNB. Decide which pin to connect, "15pin" on CNB or "9pin" on CNC, depending on jumper.

6.2.4 Serial communication connector

Since this product communicates using Renesas Motor Workbench, it has pins for serial communication connection. Pin assignment for the serial communication connector is listed in Table 6-3.

Table 6-3 Serial communication connector (CN10) pin assignment

Pin No.	Pin Function	RA6T1 Connection Pin
1	VCC	- (UVCC)
2	MCU transmitter side	P205/TXD4
3	MCU receiver side	P206/RXD4
4	GND	VSS

6.2.5 Hall sensor signal input

This product has pins for hall sensor signal input. Hall sensor signal can be entered directly into this product from the motor supplied with Motor RSSK. If signal is entered into this product, the signal is entered into RA6T1 via pull-up resistor, RC filter and level shifter. Pin assignment for pins for hall sensor signal input is listed in Table 6-4.

Table 6-4 Pin for hall sensor signal input (CN5) pin assignment

Pin No.	Pin Function	RA6T1 Connection Pin
1	VCC	- (UVCC)
2	GND	GND
3	HALL_U	P411/IRQ4
4	HALL_V	P410/IRQ5
5	HALL_W	P409/IRQ6

6.2.6 Encoder signal input

This product has pins for encoder signal input. Encoder signal can be entered into RA6T1. If signal is entered into this product, the signal is entered into RA6T1 via pull-up resistor, RC filter and level shifter. Pin assignment for pins for encoder signal input is listed in Table 6-5

Table 6-5 Through holes for encoder signal input (CN7) pin assignment

Pin No.	Pin function	RA6T1 pin
1	VCC	- (UVCC)
2	GND	GND
3	ENC_A	P107/GTIOC8A
4	ENC_B	P106/GTIOC8B
5	ENC_Z	P105/GTETRGA

6.2.7 Unused pins

For general-purpose use, this product leads out unused pins of RA6T1 into the through holes for unused pins on the board. Pin assignment for the through holes for unused pins is listed in Table 6-6.

Table 6-6 Through hole for unused pin (CN9) pin assignment

Pin No	RA6T1 pin	Pin No	RA6T1 pin
1	P400	2	P403
3	P404	4	P405
5	P406	6	P708
7	P413	8	P412
9	P200	10	GND
11	VDD33_D	12	GND

6.2.8 Reset circuit

This product has a reset circuit to enable power-on reset or external reset on MCU. Press the tact switch (SW1) to externally reset MCU.

6.2.9 LED

This product has two ports and LEDs, so that they can be used for program debug and the system. LED switches on when output from the corresponding port is “Low”, and switches off when output is “High”. Pin assignment for corresponding LEDs is listed in Table 6-7.

Table 6-7 LED pin assignment

RA6T1 pin (port)		LED2	LED3
P408	High output	Off	-
	Low output	On	-
P407	High output	-	Off
	Low output	-	On

6.2.10 CAN Communication

This product has through holes for CAN communication. Pin assignment for CAN communication connector is listed in Table 6-8.

Table 6-8 CAN communication pin assignment

Pin No	RA6T1 pin
1	P401/CTX0
2	P402/CRX0
3	VCC (VCC33_D)
4	GND

6.2.11 SPI communication

This product has through holes for SPI communication. Pin Assignment for SPI communication connector is listed in Table 6-9.

Table 6-9 SPI communication pin assignment

Pin No	RA6T1 pin
1	P103/SS0
2	P101/MOSI0
3	P100/MISO0
4	P102/SCK0
5	VCC (VCC33_D)
6	GND

6.2.12 2nd inverter board connection

This product has the connector for the second inverter board (CNC) on the surface of the RA6T1 CPU Card. The connector consists of the through holes of 30 pins (2 rows of 15 pins). The connector has not been installed yet. Pin function necessary to rotate the 2nd motor is assigned to the pins corresponding to MCU. Pin assignment for the connector and corresponding pin are listed on Table 6-10. In addition, regarding SW1#_2, SW2#_2, LED1#_2, LED2#_2, LED3#_2, FO#_2, VRL2, IO voltage for inverter board side is 5V. Therefore, MCU and connector is connected via open drain buffer.

Table 6-10 2nd inverter board connector (CNC) pin assignment

Pin No	Pin function	RA6T1 pin	Pin No	Pin function	RA6T1 pin
1	PGAVSS_2	P007/PGAVSS100(*1)	2	VPN_2	P008/AN003
3	IU_2	P004/AN100	4	IV_2	P005/AN101
5	IW_2	P006/AN102	6	TEMP_2	—
7	VU_2	P500/AN016	8	VV_2	P501/AN116
9	VW_2	P502/AN017(*2)	10	VR_2	—
11	GND	VSS	12	GND	AVSS
13	LED1#_2	P305	14	LED2#_2	P304
15	LED3#_2	P303	16	FO#_2	P104/GTETRGB
17	WN_2	P600/GTIOC6B	18	VN_2	P610/GTIOC5B
19	UN_2	P608/GTIOC4B	20	WP_2	P601/GTIOC6A
21	VP_2	P609/GTIOC5A	22	UP_2	P115/GTIOC4A
23	SW1#_2	P307	24	SW2#_2	P306
25	GND	VSS	26	GND	VSS
27	VRL2	P602	28	-	—
29	-	—	30	-	—

*1 Default is connecting to 1pin on CNC. Can connect to GND by jumper switch.

*2 Default is connecting to 15pin on CNB. Decide which pin to connect, 15pin on CNB or 9pin on CNC depending on jumper

6.2.13 RA6T1 pin function list

Table 6-11 RA6T1 pin function list

Pin Number	RA6T1 pin function	CPU Card connection	Function
1	IRQ0/P400/AGTIO1/GTIOC6A/SCK4/SCL0_A/ADTRG1		
2	IRQ5-DS/P401/GTETRGA/GTIOC6B/CTX0/CTS4_RTS4/SS4/SDA0_A		CAN
3	CACREF/IRQ4-DS/P402/AGTIO0/AGTIO1/CRX0		CAN
4	P403/AGTIO0/AGTIO1/GTIOC3A		
5	P404/GTIOC3B		
6	P405/GTIOC1A		
7	P406/GTIOC1B		
8	VBATT		
9	VCL0		
10	XCIN		
11	XCOU		
12	VSS	VSS	
13	XTAL/IRQ2/P213/GTETRGC/GTIOC0A/TXD1/MOSI1/SDA1/ADTRG1	Crystal Oscillator	
14	EXTAL/IRQ3/P212/AGTEE1/GTETRGD/GTIOC0B/RXD1/MISO1/SCL1	Crystal Oscillator	
15	VCC	VCC	
16	CACREF/IRQ11/P708/RXD1/MISO1/SCL1/SSLA3_B		
17	IRQ8/P415/GTIOC0A/SSLA2_B		U Phase Upper Arm for the 1st INV board
18	IRQ9/P414/GTIOC0B/SSLA1_B/		U Phase Lower Arm for the 1st INV board
19	P413/GTOUUP/CTS0_RTS0/SS0/SSLA0_B		
20	P412/AGTEE1/GTOULO/SCK0/RSPCKA_B		
21	IRQ4/P411/AGTOA1/GTOVUP/GTIOC9A/TXD0/MOSI0/SDA0/CTS3_RTS3/SS3/MOSIA_B		Hall Sensor U Phase
22	IRQ5/P410/AGTOB1/GTOVLO/GTIOC9B/RXD0/MISO0/SCL0/SCK3/MISOA_B		Hall Sensor V Phase
23	IRQ6/P409/GTOWUP/GTIOC10A/TXD3/MOSI3/SDA3		Hall Sensor W Phase
24	IRQ7/P408/GTOWLO/GTIOC10B/RXD3/MISO3/SCL3/SCL0_B		LED1 for the 1st INV board
25	P407/AGTIO0/CTS4_RTS4/SS4/SDA0_B/ADTRG0		LED2 for the 1st INV board
26	VSS_USB	VSS	
27	NC	-	
28	NC	-	
29	VCC_USB	VCC	
30	P207		LED3 for the 1st INV board
31	IRQ0-DS/P206/GTIU/RXD4/MISO4/SCL4/SDA1_A		RMW Communication TXD
32	CLKOUT/IRQ1-DS/P205/AGTO1/GTIV/GTIOC4A/TXD4/MOSI4/SDA4/CTS9_RTS9/SS9/SCL1_A		RMW Communication RXD
33	TRCLK/P214/GTIU		Debugger
34	TRDATA0/P211/GTIV/		Debugger
35	TRDATA1/P210/GTIW/		Debugger
36	TRDATA2/P209/GTOVUP/		Debugger
37	TRDATA3/P208/GTOVLO/		Debugger
38	RES		Debugger
39	MD/P201		Relay Operation for the 1st INV board (Not used)
40	NMI/P200/		

41	P307/GTOUUP		External Switch1 for the 2nd INV board
42	P306/GTOULO		External Switch2 for the 2nd INV board
43	IRQ8/P305/GTOWUP		LED1 for the 2nd INV board
44	IRQ9/P304/GTOWLO/GTIOC7A		LED2 for the 2nd INV board
45	VSS	VSS	
46	VCC	VCC	
47	P303/GTIOC7B		LED3 for the 2nd INV board
48	IRQ5/P302/GTOUUP/GTIOC4A/TXD2/MOSI2/SDA2/SSLB3_B		External Switch1 for the 1st INV board
49	IRQ6/P301/AGTIO0/GTOULO/GTIOC4B/RXD2/MISO2/SCL2/CTS9_RTS9/SS9/SSLB2_B		External Switch2 for the 1st INV board
50	TCK/SWCLK/P300/GTOUUP/GTIOC0A_A/SSLB1_B		Debugger
51	TMS/SWDIO/P108/GTOULO/GTIOC0B_A/CTS9_RTS9/SS9/SSLB0_B		Debugger
52	CLKOUT/TDO/SWO/P109/GTOVUP/GTIOC1A_A/TXD9/MOSI9/SDA9/MOSIB_B		Debugger
53	TDI/IRQ3/P110/GTOVLO/GTIOC1B_A/CRX1/CTS2_RTS2/SS2/RXD9/MISO9/SCL9/MISOB_B/VCOOUT		Debugger
54	IRQ4/P111/GTIOC3A_A/SCK2/SCK9/RSPCKB_B		W Phase Upper Arm for the 1st INV board
55	P112/GTIOC3B_A/TXD2/MOSI2/SDA2/SCK1/SSLB0_B		W Phase Lower Arm for the 1st INV board
56	P113/GTIOC2A/RXD2/MISO2/SCL2/		V Phase Upper Arm for the 1st INV board
57	P114/GTIOC2B		V Phase Under Arm for the 1st INV board
58	P115/GTIOC4A/		U Phase Upper Arm for the 2nd INV board
59	P608/GTIOC4B		U Phase Under Arm for the 2nd INV board
60	P609/GTIOC5A		V Phase Upper Arm for the 2nd INV board
61	P610/GTIOC5B		V Phase Under Arm for the 2nd INV board
62	VCC	VCC	
63	VSS	VSS	
64	VCL		
65	P602/GTIOC7B/TXD9		Relay Operation for the 2nd INV board (Not Used)
66	P601/GTIOC6A/RXD9		W Phase Upper Arm for the 2nd INV board
67	CLKOUT/CACREF/P600/GTIOC6B/SCK9/		W Phase Under Arm for the 2nd INV board
68	KR07/P107/AGTOA0/GTIOC8A/CTS8_RTS8/SS8/		Encoder A Phase
69	KR06/P106/AGTOB0/GTIOC8B/SCK8/SSLA3_A/QIO2		Encoder B Phase
70	IRQ0/KR05/P105/GTETRGA/GTIOC1A/TXD8/MOSI8/SDA8/SSLA2_A/QIO1		Encoder Z Phase
71	IRQ1/KR04/P104/GTETRGB/GTIOC1B/RXD8/MISO8/SCL8/SSLA1_A/QIO0/		Overcurrent for the 2nd INV board
72	KR03/P103/GTOWUP/GTIOC2A_A/CTX0/CTS0_RTS0/SS0/SSLA0_A		SPI
73	KR02/P102/AGTO0/GTOWLO/GTIOC2B_A/CRX0/SCK0/RSPCKA_A/ADTRG0		SPI
74	IRQ1/KR01/P101/AGTEE0/GTETRGB/GTIOC5A/TXD0/MOSI0/SDA0/CTS1_RTS1/SS1/SDA1_B/MOSIA_A		SPI

75	IRQ2/KR00/P100/AGTIO0/GTETRGA/GTIOC5B/RXD0/MISO0/SCL0/SCK1/SCL1_B/MISOA_A		SPI
76	P500/AGTOA0/GTIU/GTIOC11A/AN016/IVREF0		U Phase Voltage for the 2nd INV board
77	IRQ11/P501/AGTOB0/GTIV/GTIOC11B/AN116/IVREF1		V Phase Voltage for the 2nd INV board
78	IRQ12/P502/GTIW/GTIOC12A/AN017/IVCMP0		Variable Resistance Voltage for the 1st INV board/W Phase Voltage for the 2nd INV board
79	P503/GTETRGC/GTIOC12B/AN117		Overcurrent for the 1st INV board
80	P504/GTETRGD/AN018		U Phase Voltage for the 1st INV board
81	P508/AN020		V Phase Voltage for the 1st INV board
82	VCC	VCC	
83	VSS	VSS	
84	IRQ13/P015/AN006/AN106/DA1/IVCMP1		W Phase Voltage for the 1st INV board
85	P014/AN005/AN105/DA0/IVREF3		Bus Voltage for the 1st INV board
86	VREFL	VREFL	
87	VREFH	VREFH	
88	AVCC0	AVCC	
89	AVSS0	AVSS	
90	VREFL0	VREFL0	
91	VREFH0	VREFH0	
92	IRQ12-DS/P008/AN003		Bus Voltage for the 2nd INV board
93	P007/PGAVSS100/AN107		GND for PGA for the 2nd INV board
94	IRQ11-DS/P006/AN102/IVCMP2		W Phase Current for the 2nd INV board
95	IRQ10-DS/P005/AN101/IVCMP2		V Phase Current for the 2nd INV board
96	IRQ9-DS/P004/AN100/IVCMP2		U Phase Current for the 2nd INV board
97	P003/PGAVSS000/AN007		GND for PGA for the 1st INV board
98	IRQ8-DS/P002/AN002/IVCMP2		W Phase Current for the 1st INV board
99	IRQ7-DS/P001/AN001/IVCMP2		V Phase Current for the 1st INV board
100	IRQ6-DS/P000/AN000/IVCMP2		U Phase Current for the 1st INV board

7. Certification

Motor Control Evaluation System for RA Family - RA6T1 Group conforms to the below certification and standard. As for exemption items and precautions, refer to page 6 of this user's manual.

7.1 European Union regulatory notices

This product complies with the following EU Directives. (These directives are only valid in the European Union.)

CE Certifications:

- Electromagnetic Compatibility (EMC) Directive 2014/30/EU
EN61326-1 : 2013 Class A

WARNING: This is a Class A product. This equipment can cause radio frequency noise when used in the residential area. In such cases, the user/operator of the equipment may be required to take appropriate countermeasures under his responsibility.

- Information for traceability
 - Authorised representative
Name: Renesas Electronics Corporation
Address: Toyosu Foresia, 3-2-24, Toyosu, Koto-ku, Tokyo 135-0061, Japan
 - Manufacturer
Name: Renesas Electronics Corporation
Address: Toyosu Foresia, 3-2-24, Toyosu, Koto-ku, Tokyo 135-0061, Japan
 - Person responsible for placing on the market
Name: Renesas Electronics Europe GmbH
Address: Arcadiastrasse 10, 40472 Dusseldorf, Germany
 - Trademark and Type name
Trademark: Renesas
Product name: Motor Control Evaluation System for RA Family - RA6T1 Group
Type name: RTK0EMA170S00020BJ

Environmental Compliance and Certifications:

- Waste Electrical and Electronic Equipment (WEEE) Directive 2012/19/EU

8. Design and Manufacture Information

You can obtain information on the design and manufacture of Motor Control Evaluation System for RA Family - RA6T1 Group from renesas.com/rssk/motor.

9. Website and Support

In order to learn, download tools and documents, apply technical support for RA family MCU and its kit, visit the below Web site.

- RA Product Information renesas.com/ra
- RA Product Support Forum renesas.com/ra/forum
- Renesas Support renesas.com/support

Revision History	Motor Control Evaluation System for RA Family - RA6T1 Group User's Manual
------------------	--

Rev.	Date	Description	
		Page	Summary
1.00	May 8, 2020	-	First Edition

Motor Control Evaluation System for RA Family - RA6T1 Group
User's Manual

Publication Date: Rev.1.00 May 8, 2020

Published by: Renesas Electronics Corporation

Motor Control Evaluation System for RA
Family - RA6T1 Group
User's Manual



Renesas Electronics Corporation

R12UZ0077EJ0100