

Device Modeling Report

COMPONENTS: CHOKE COIL
PART NUMBER: 214-6215
MANUFACTURER:
WURTH ELEKTRONIK GmbH & CO.KG



Bee Technologies Inc.

Theory: Auto Balancing Bridge Method

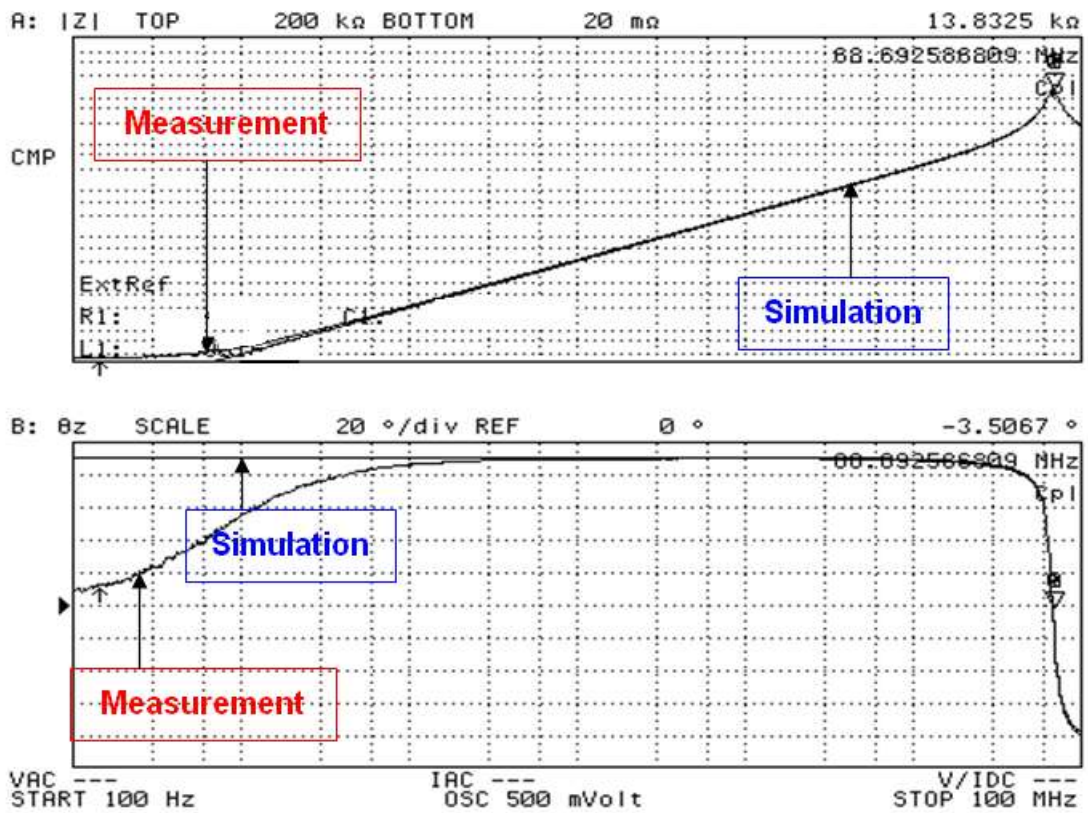
Optimization of Simulation

Range of adjustment Frequency: 100 to 100M(Hz)

Frequency vs. $|Z|$ and Frequency vs. θz Characteristic

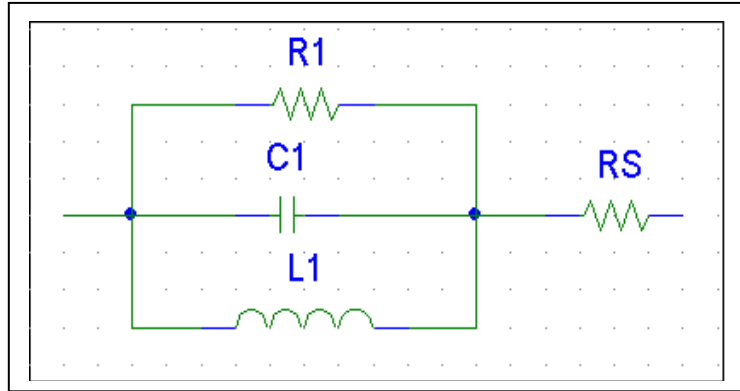
Attention)

Please use SPICE MODEL within the range from 100 to 100M(Hz)



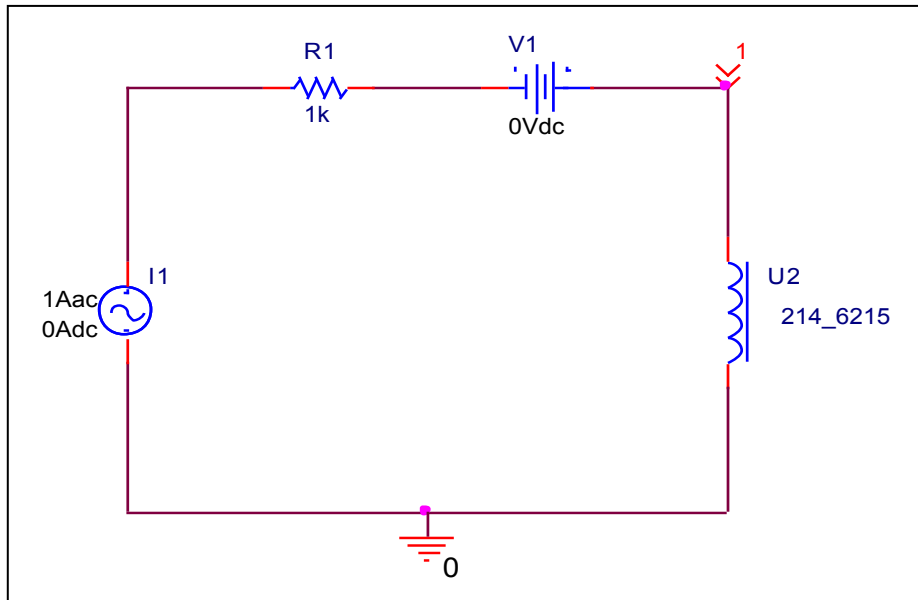
L1	
C1	
R1	

Equivalent circuit

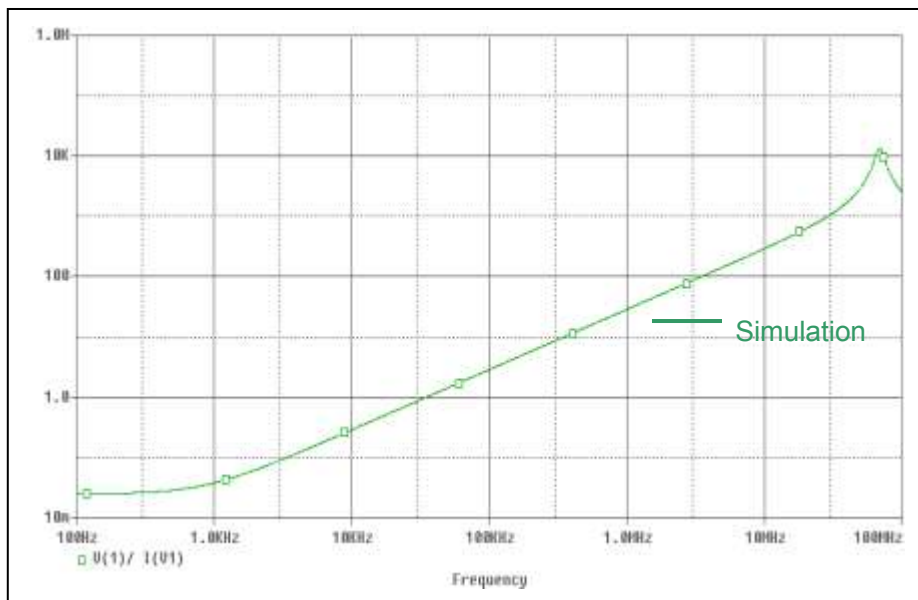


Frequency vs. |Z| Characteristic

Evaluation circuit



Simulation result



Comparison Table

Frequency (Hz)	Z (ohm) : Measurement	Z (ohm) : Simulation	% Error
1K	39.4547 m	38.068 m	3.515
1M	30.4296	28.847	5.201
10M	306.562	294.646	3.887
100M	2.41766 k	2.4858 k	-2.818

	Measurement	Simulation	% Error
F_{SRF} (Hz)	68.693 M	68.424 M	0.392
 Z (ohm), at F_{SRF}	13.8104 k	13.438 k	2.697