

Device Modeling Report

COMPONENTS: INDUCTOR
PART NUMBER: 22R474
MANUFACTURER: Newport Components



Bee Technologies Inc.

Theory: Auto Balancing Bridge Method

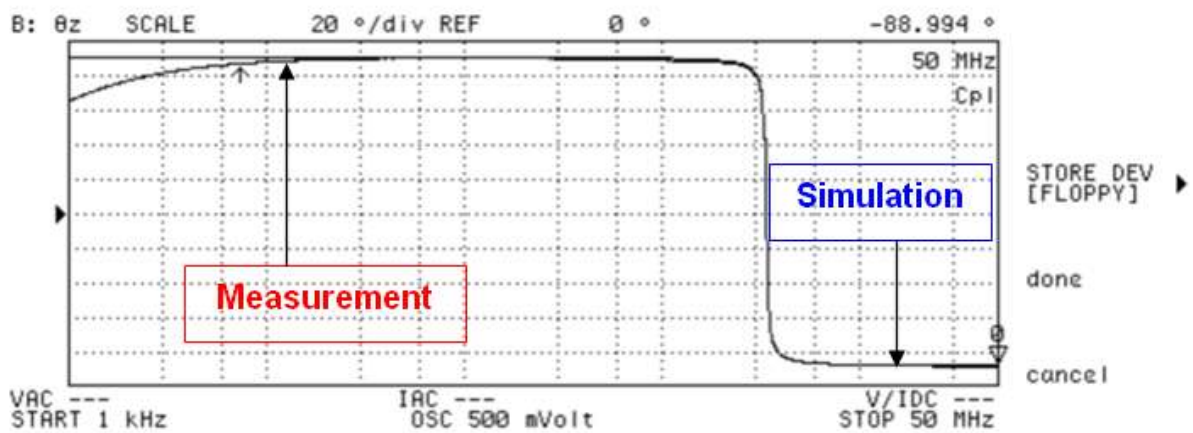
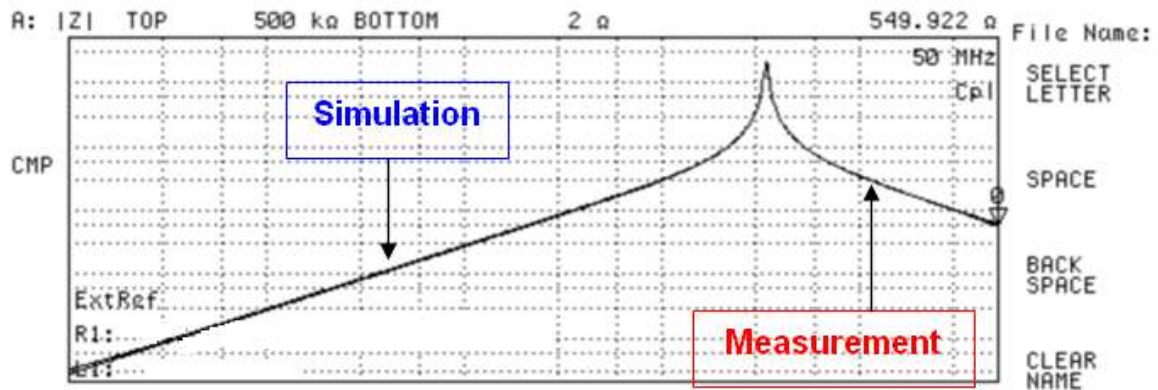
Optimization of Simulation

Range of adjustment Frequency: 1K to 50M(Hz)

Frequency vs. $|Z|$ and Frequency vs. θz Characteristic

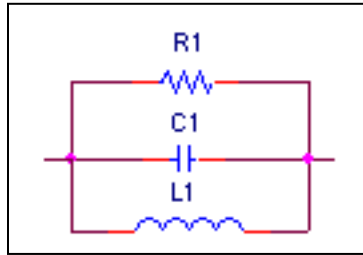
Attention)

Please use SPICE MODEL within the range from 1K to 50M(Hz)



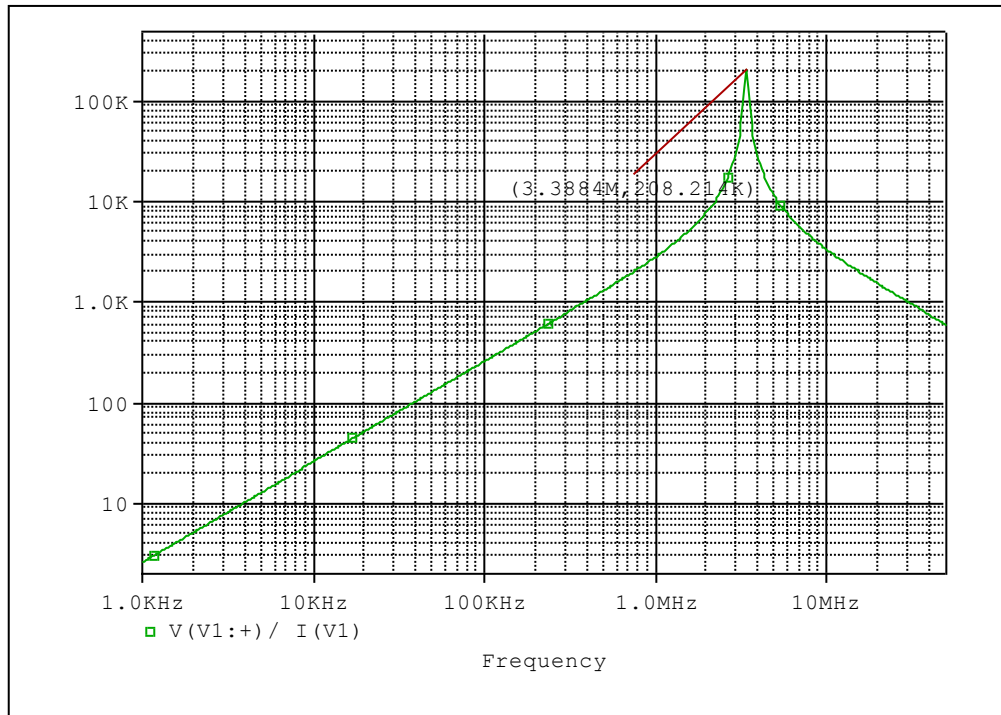
L1	
C1	
R1	

Equivalent circuit

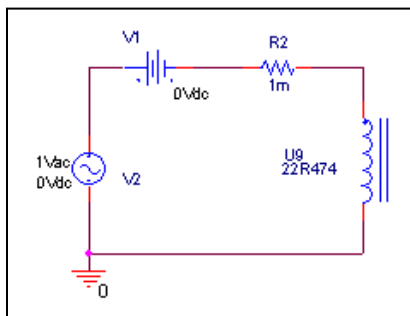


Frequency vs. |Z| Characteristic

Circuit Simulation Result



Evaluation Circuit



Simulation result

Frequency (Hz)	IZI (ohm) :Measurement	IZI (ohm) :Simulation	% Error
1K	3.07451	2.6104	-15.09541
10K	27.4776	25.997	-5.38839
100K	272.503	262.302	-3.74345
1M	2.92438k	2.8585k	-2.25279
10M	3.38951k	3.4042k	0.43340
50M	550.043	602.257	9.49271

	Measurement	Simulation	%Error
FSRF(Hz)	3.3892M	3.3884M	-0.02360
IZI (ohm)	210.337k	208.214k	-1.00933