

Device Modeling Report

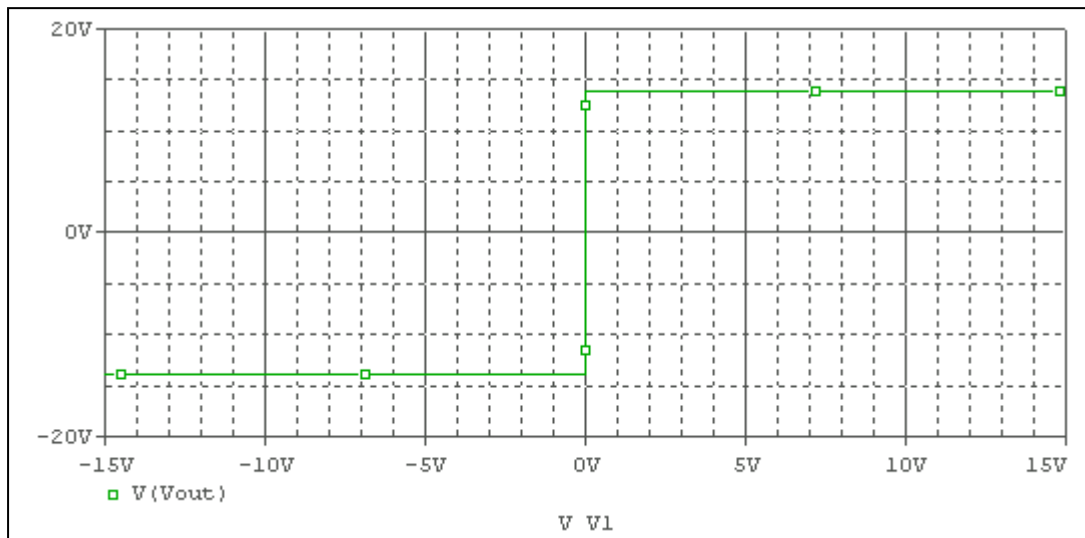
COMPONENTS: OPERATIONAL AMPLIFIER
PART NUMBER: NJM022L
MANUFACTURER: NEW JAPAN RADIO CO.,LTD



Bee Technologies Inc.

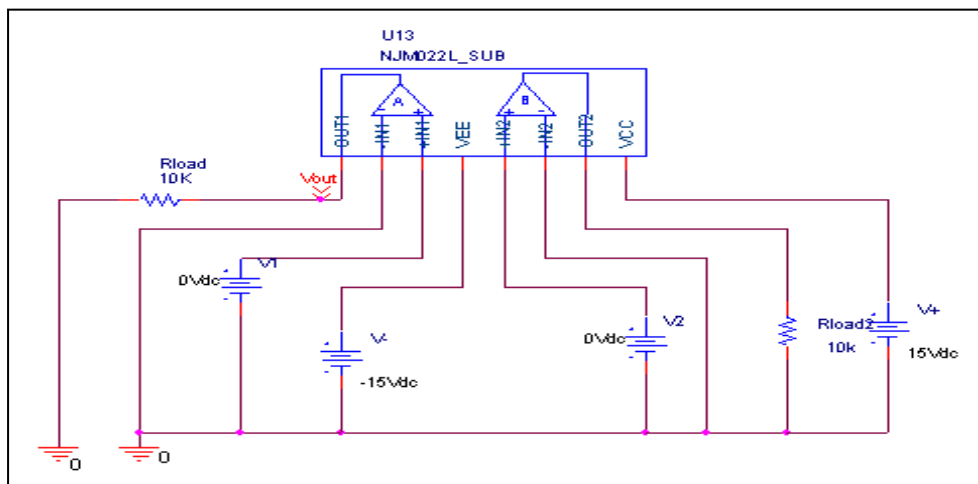
Output Voltage Swing, +Vout and -Vout

Simulation result



These simulation results are compared with $\pm V_{out}$

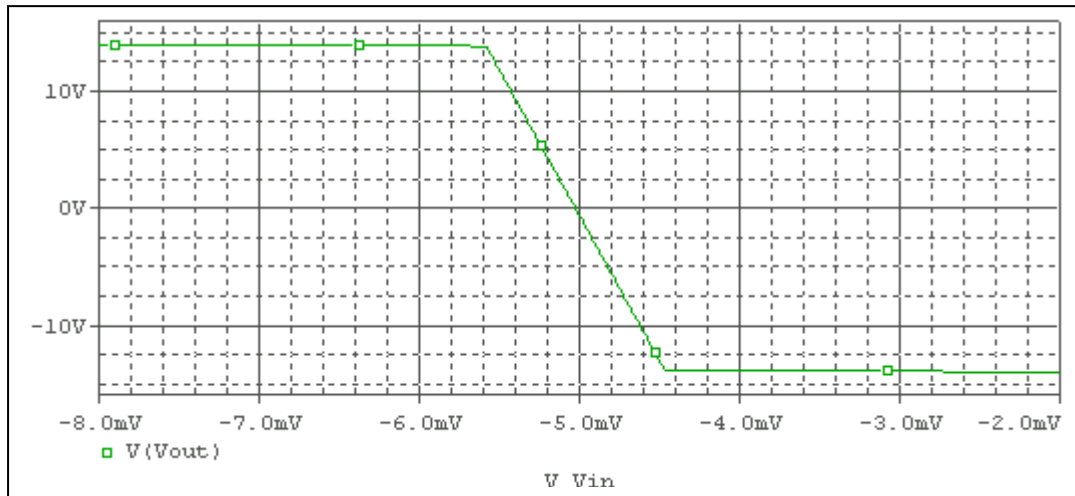
Evaluation circuit



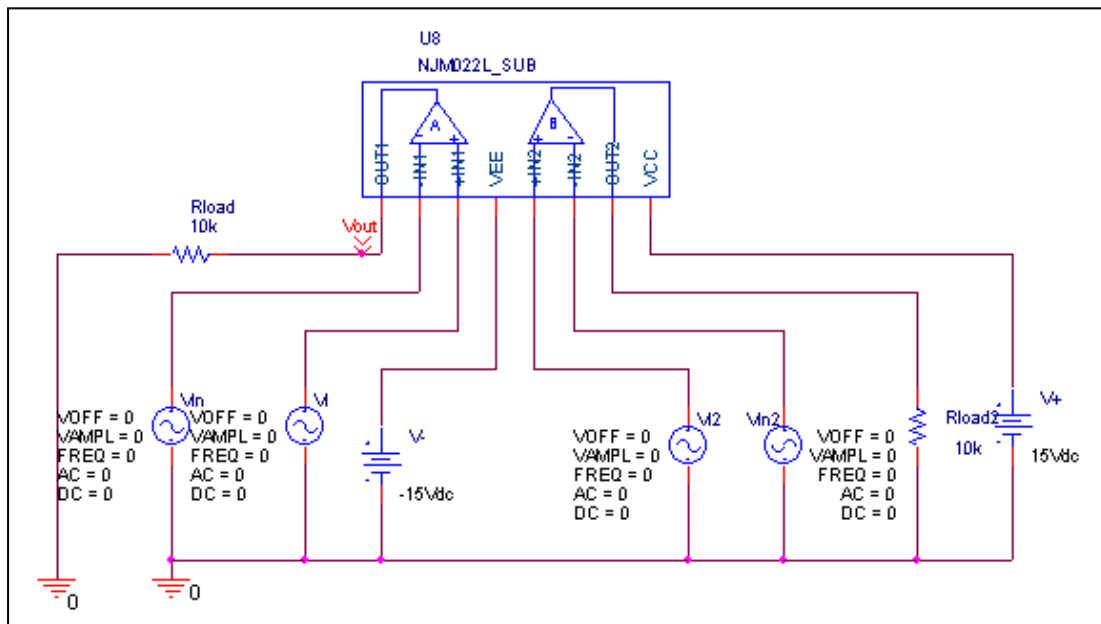
Output Voltage Swing	Data sheet	Simulation	%Error
+Vout(V)	+14	+13.963	0.264
-Vout(V)	-14	-13.963	0.264

Input Offset Voltage

Simulation result



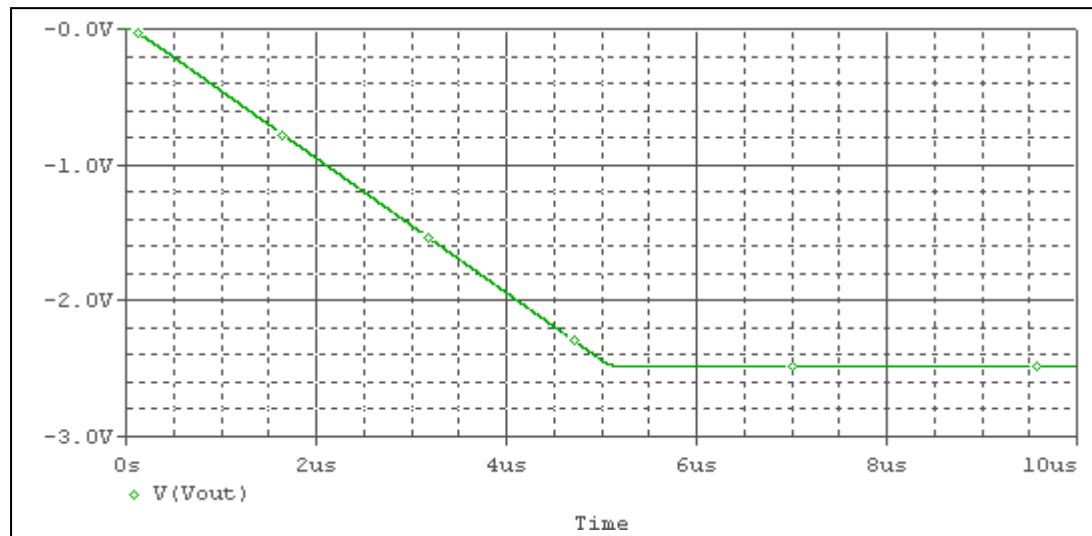
Evaluation circuit



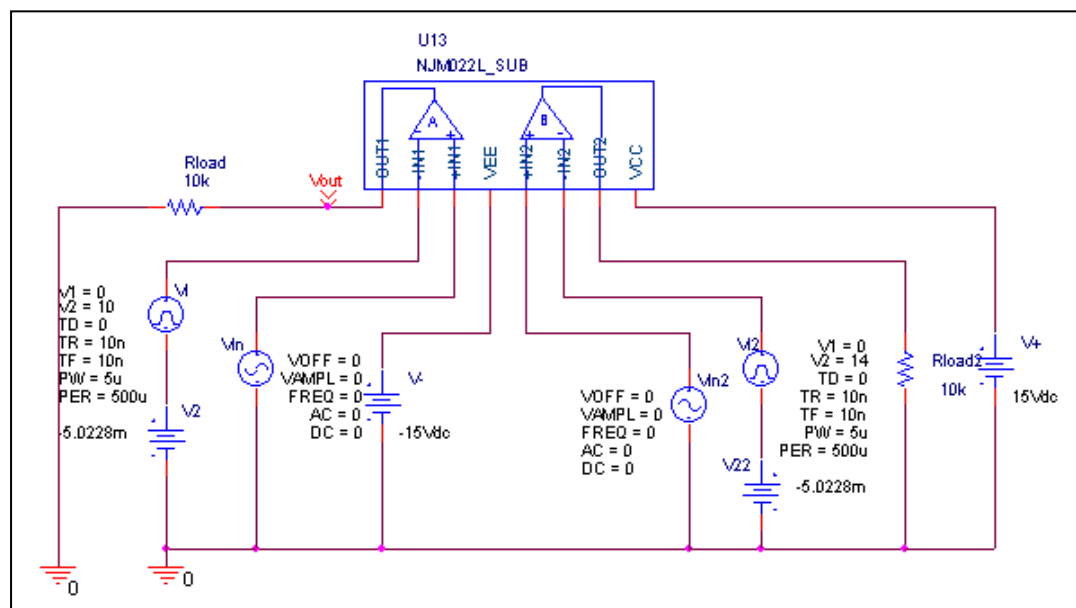
Vos	Measurement		Simulation		Error	
	5	mV	5.0228	mV	0.456	%

Slew Rate, +SR, -SR

Simulation result



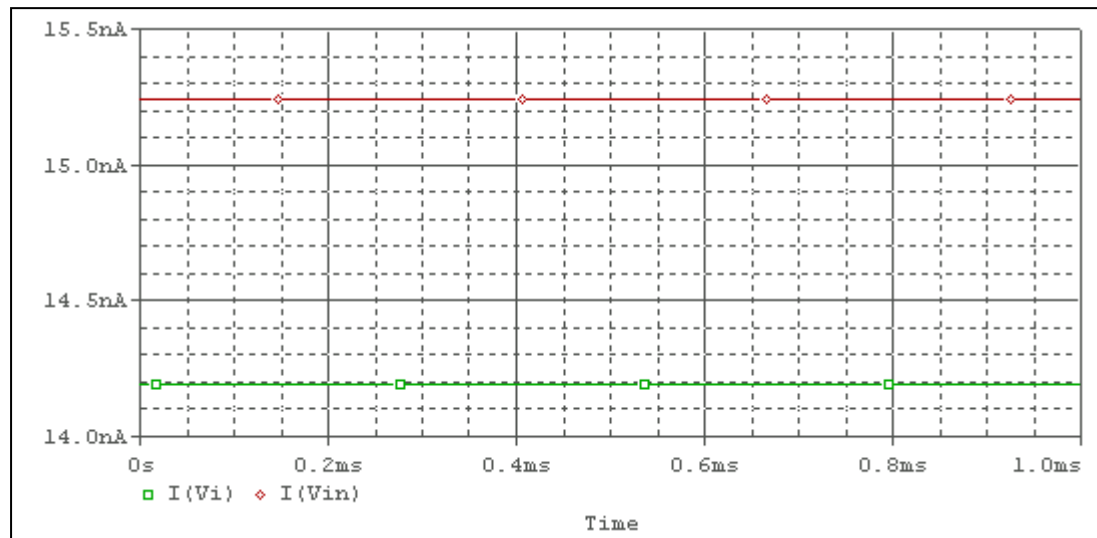
Evaluation circuit



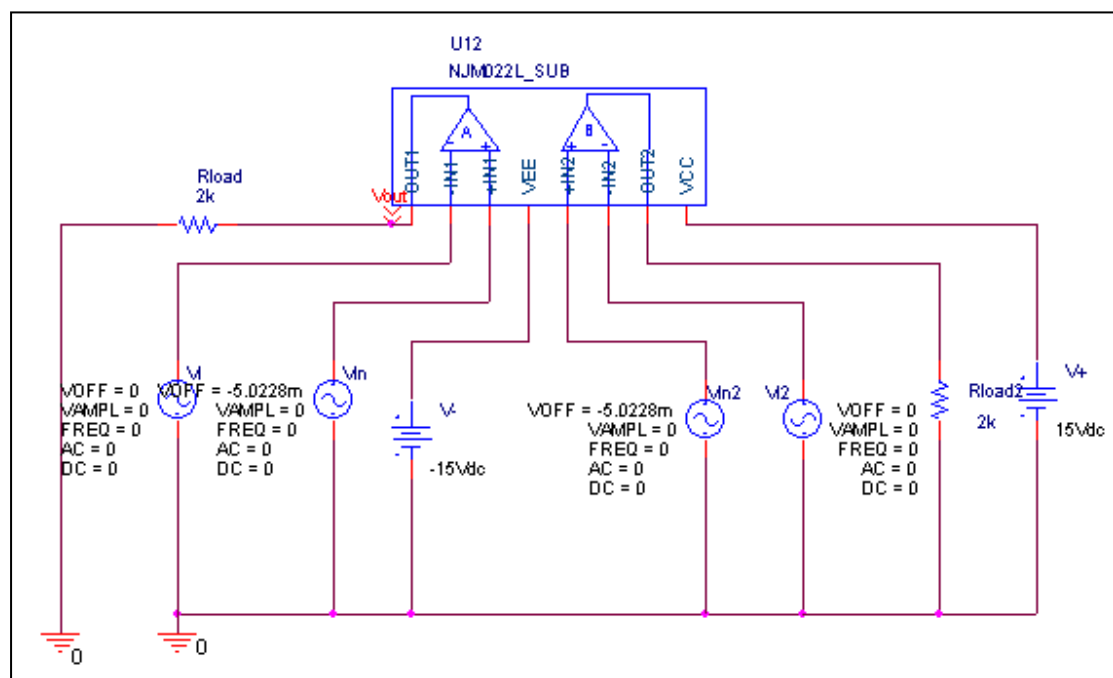
Slew Rate(v/us)	Data sheet	Simulation	%Error
		0.5V/us	0.495V/us

Input current Ib, Ibos

Simulation result



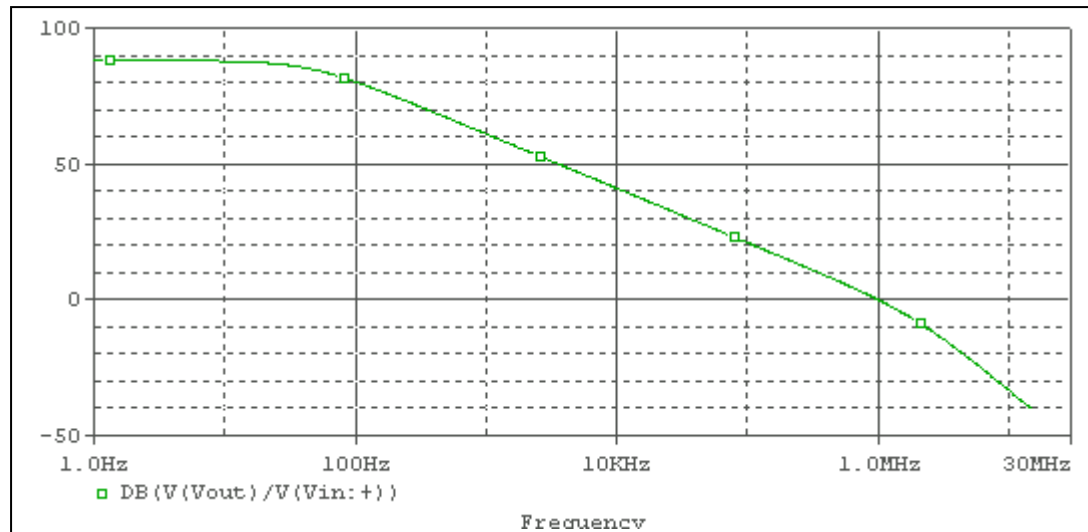
Evaluation circuit



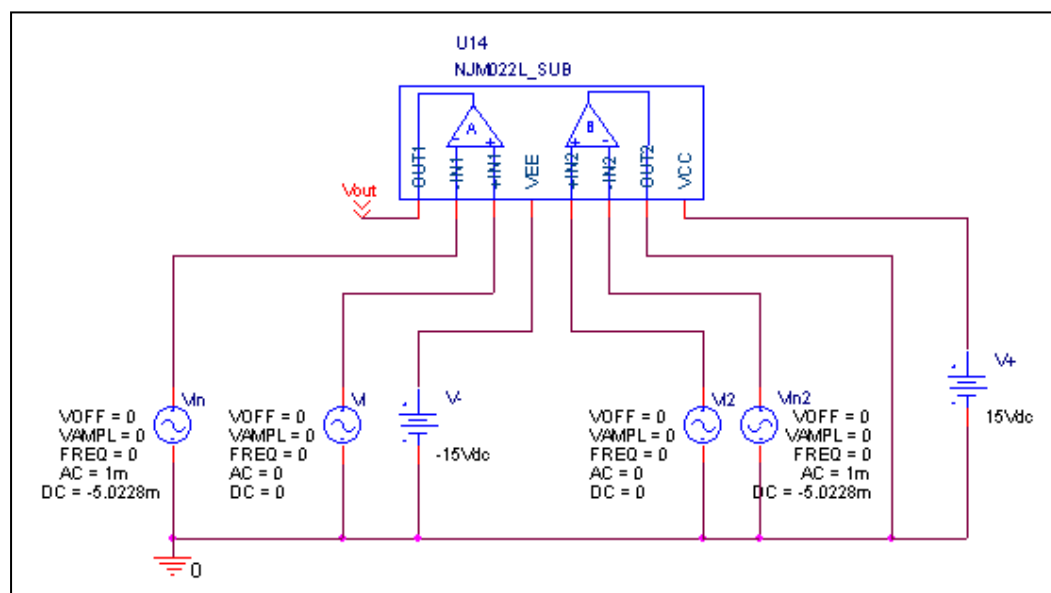
	Data sheet	Simulation	%Error
Ib(nA)	15	14.714	1.9
Ibos(nA)	1	1.05	5

Open Loop Voltage Gain vs. Frequency , Av-dc, f-0dB

Simulation result



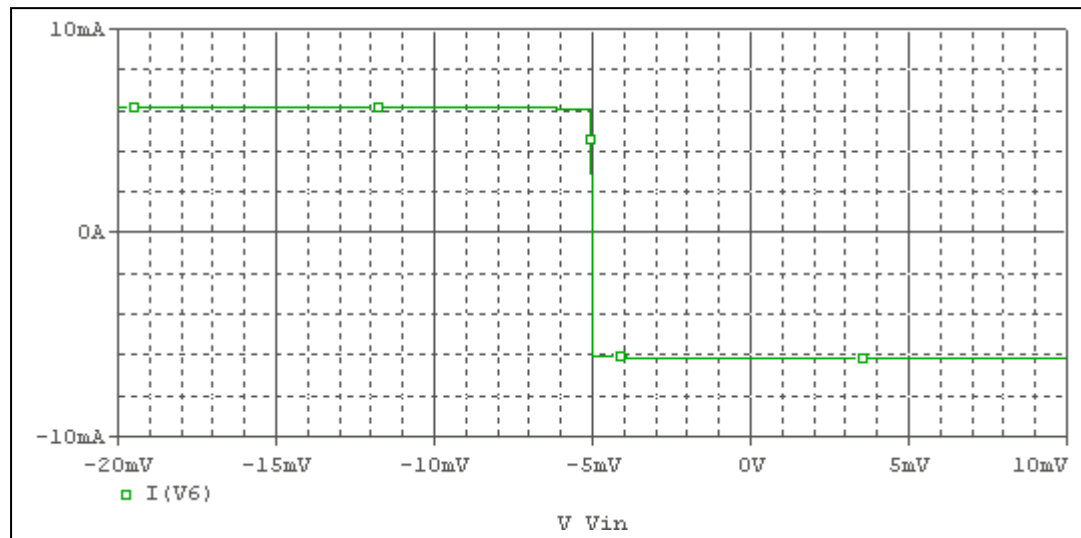
Evaluation circuit



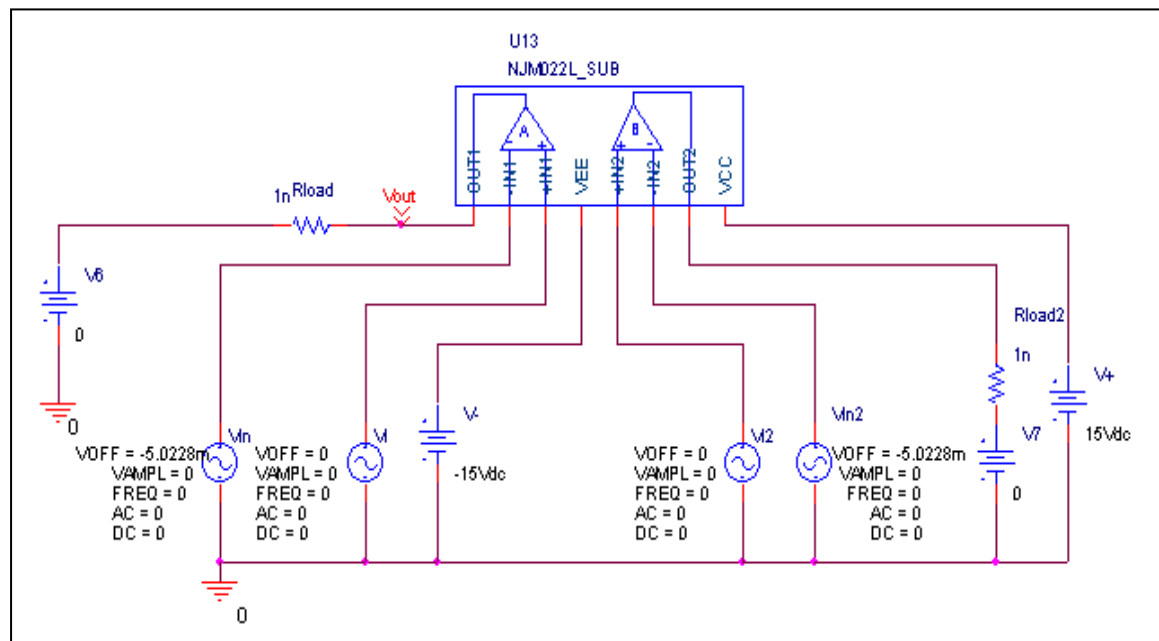
	Data sheet	Simulation	%Error
f-0dB(MHz)	1	0.992	0.8
Av-dc	88	87.97	0.034

Output Short Circuit Current - Ios

Simulation result



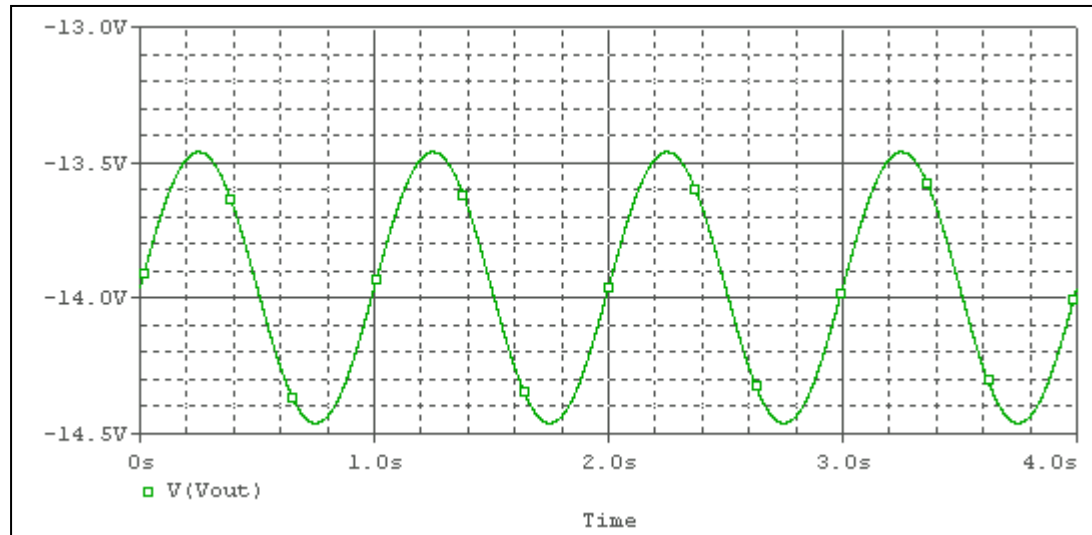
Evaluation circuit



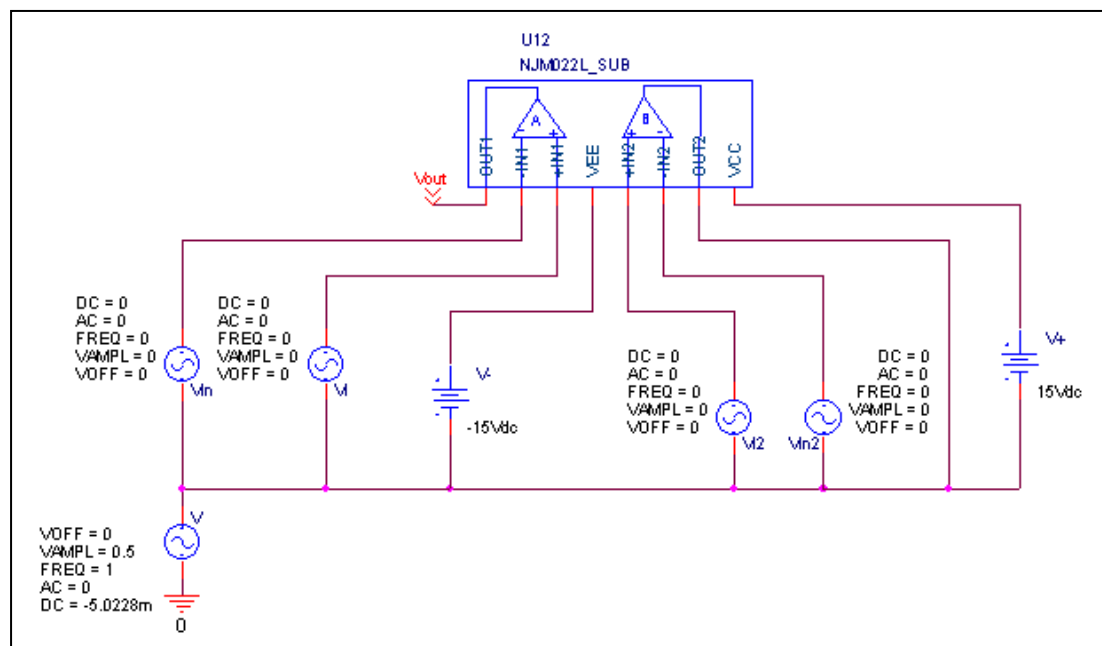
Short Circuit Current	Data sheet	Simulation	%Error
		6mA	6.084mA

Common-Mode Rejection Voltage gain

Simulation result



Evaluation circuit



Common mode gain = $0.79432/1 = 0.79432$
 Common Mode Reject Ratio = $25032/0.79432 = 31514$

CMRR	Data sheet	Simulation	%Error
		31622	31514