

Device Modeling Report

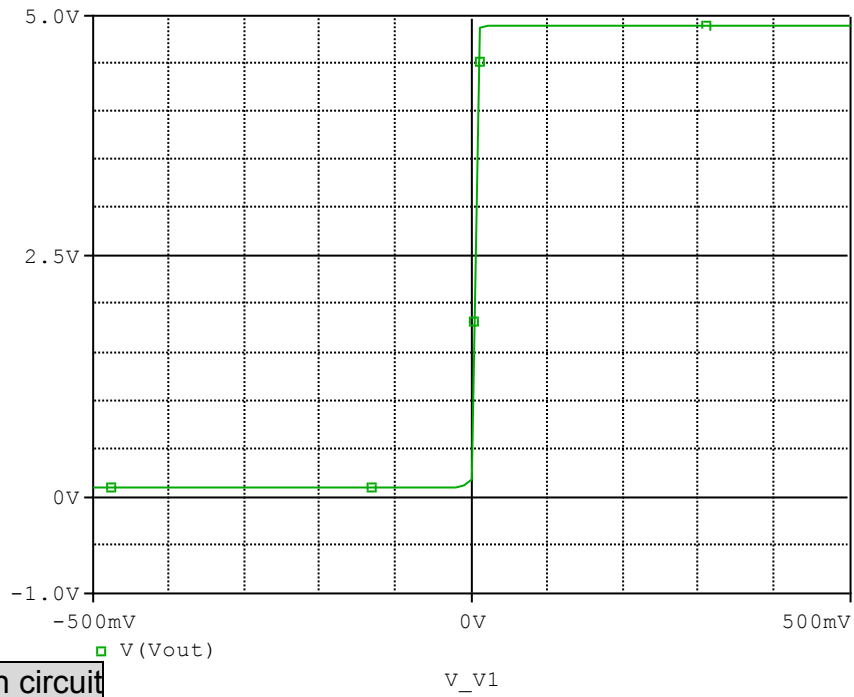
COMPONENTS: OPERATIONAL AMPLIFIER
PART NUMBER: NJM2741
MANUFACTURER: NEW JAPAN RADIO CO.,LTD



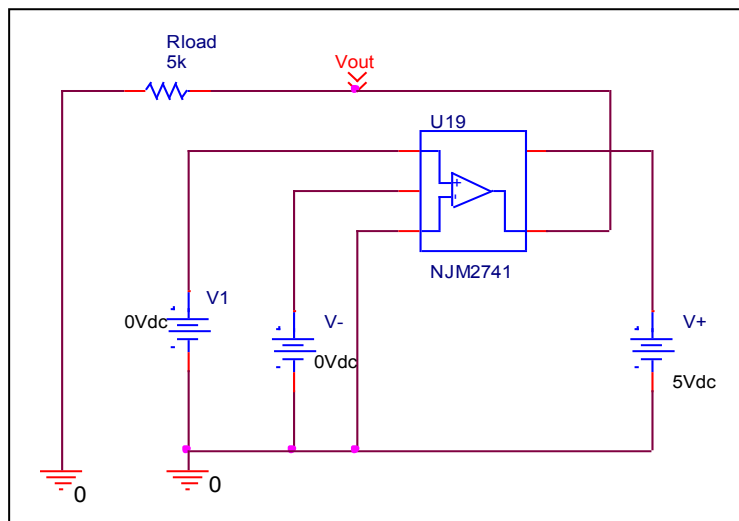
Bee Technologies Inc.

Output Voltage Swing

Simulation result



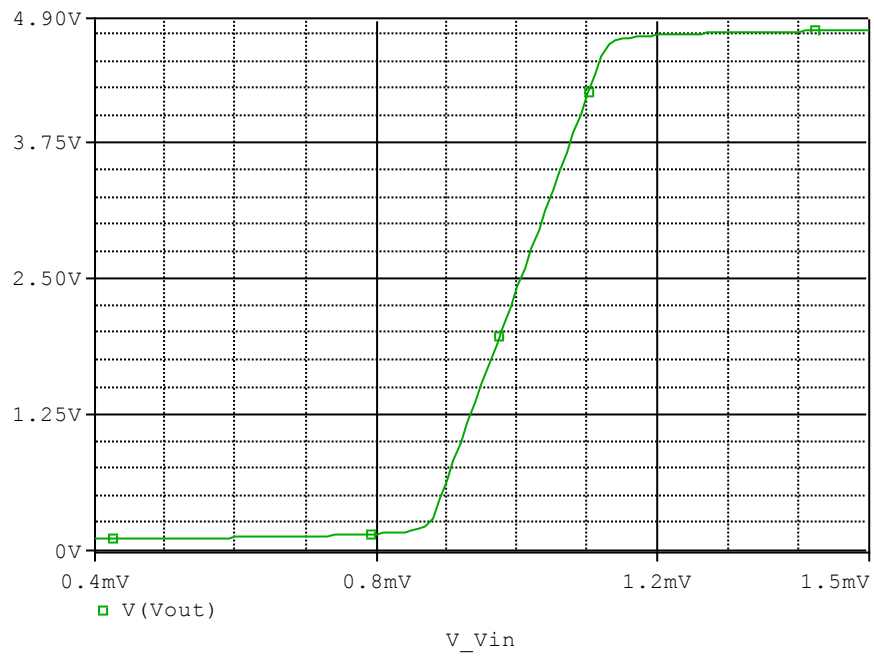
Evaluation circuit



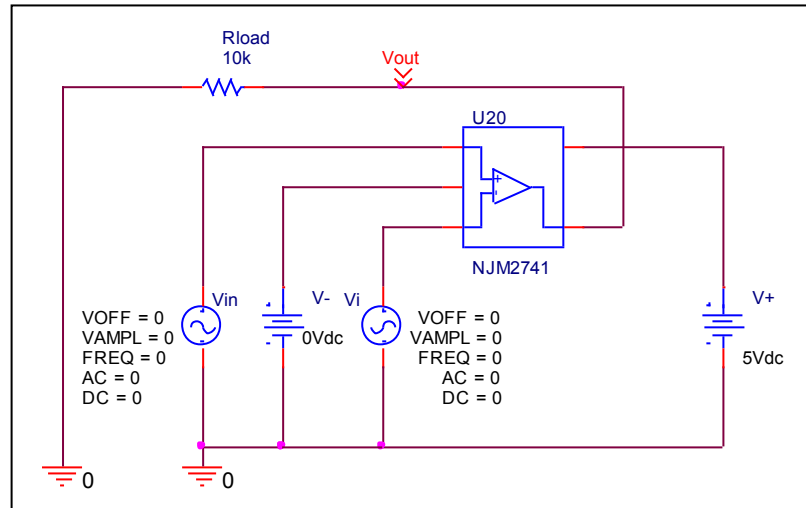
Output Voltage Swing	Data sheet	Simulation	%Error
VoH(V)	4.900	4.900	0.000
VoL(V)	0.100	0.100	0.000

Input Offset Voltage

Simulation result



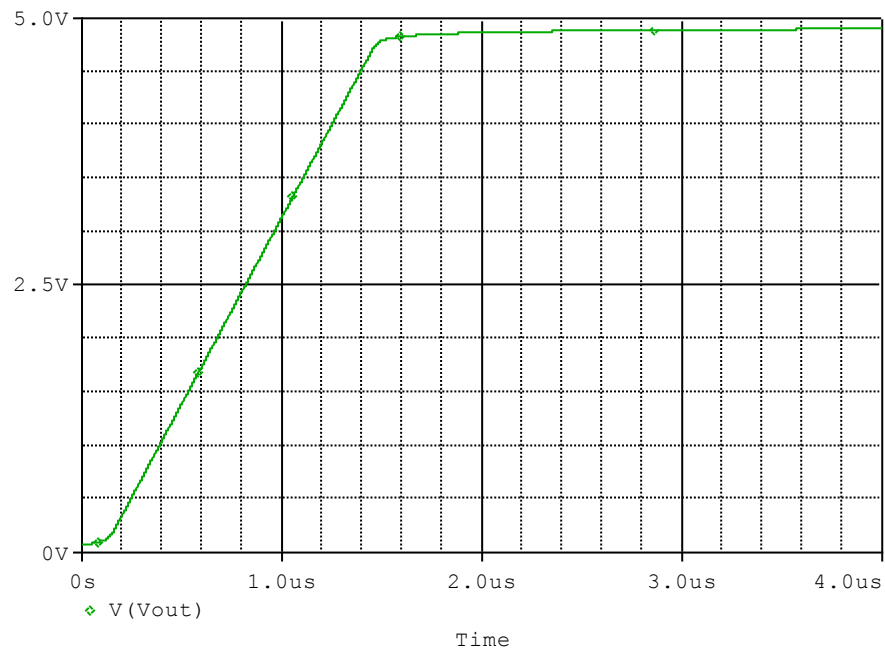
Evaluation circuit



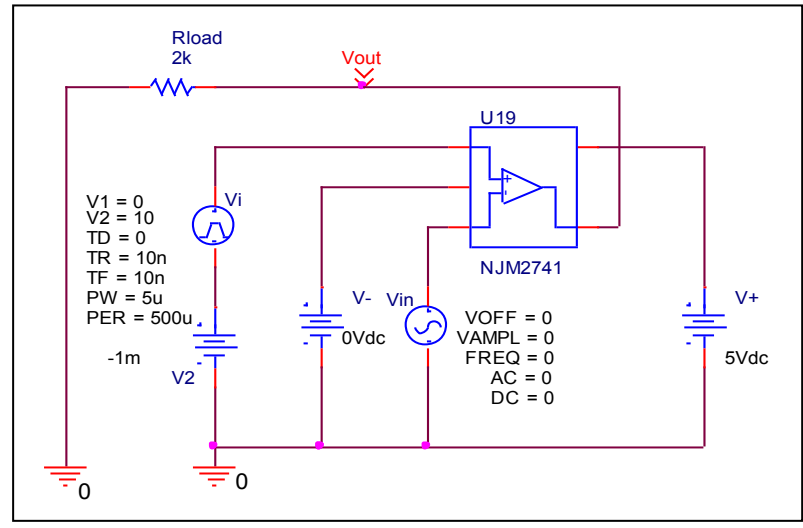
Vos	Measurement		Simulation		Error	
	1.000	mV	1.000	mV	0.000	%

Slew Rate

Simulation result



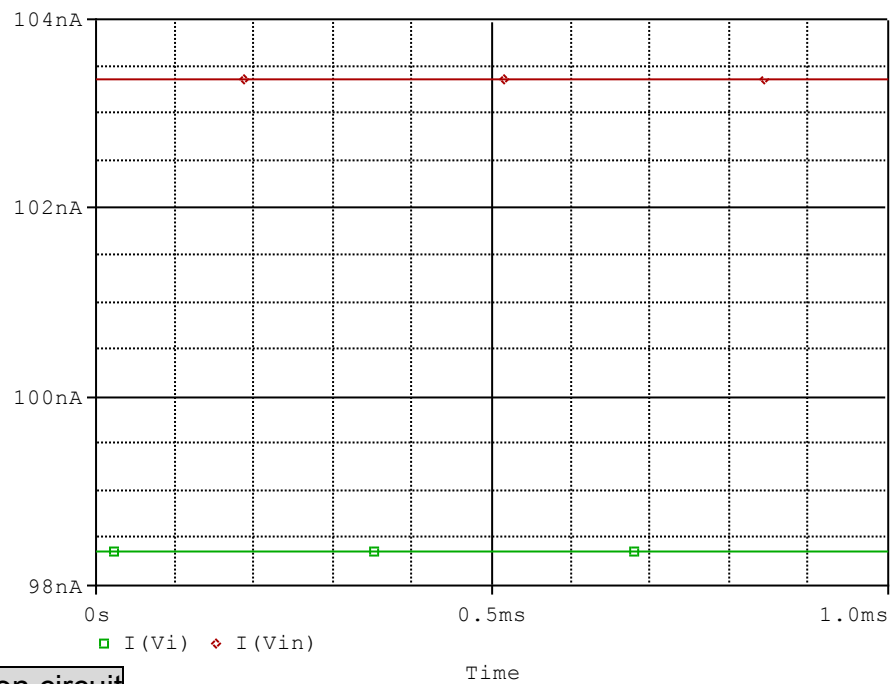
Evaluation circuit



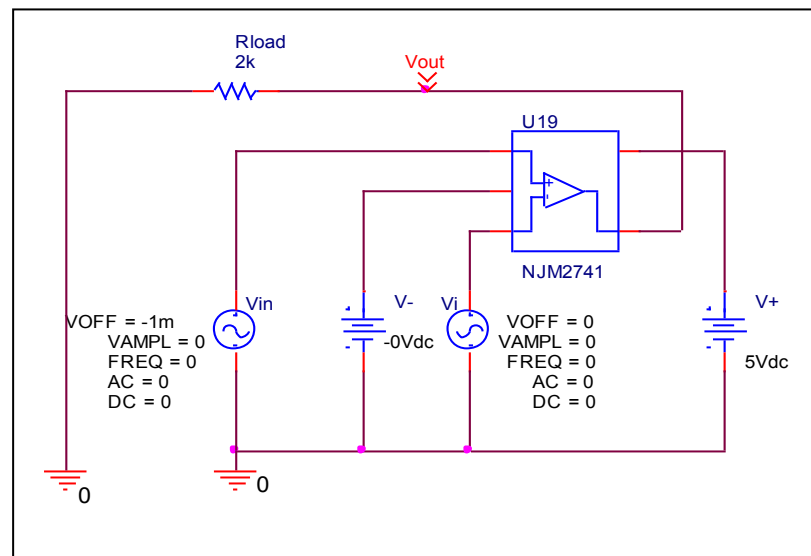
Slew Rate(v/us)	Data sheet	Simulation	%Error
		3.500	3.487

Input current

Simulation result



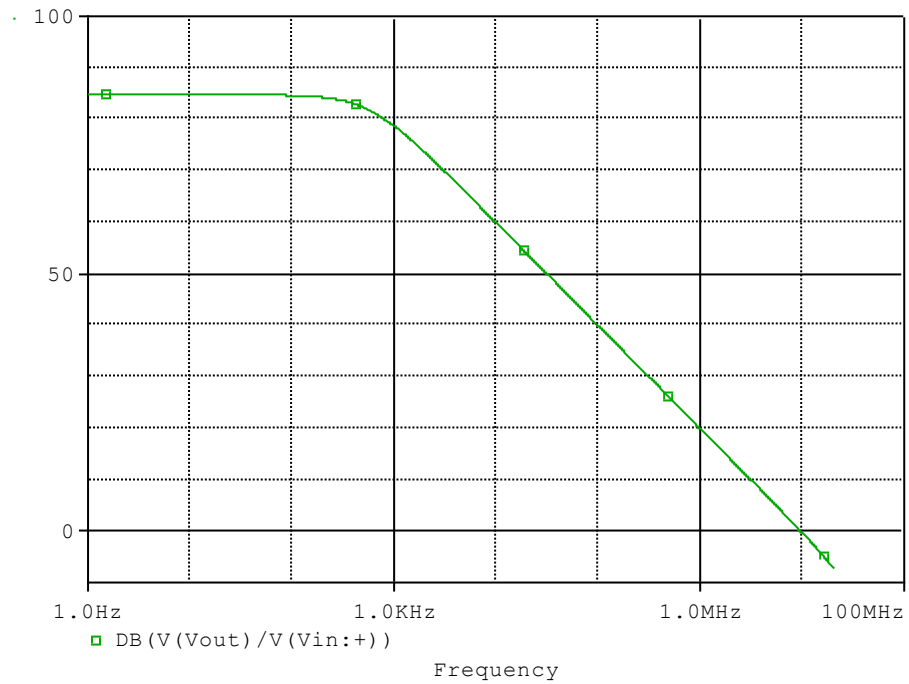
Evaluation circuit



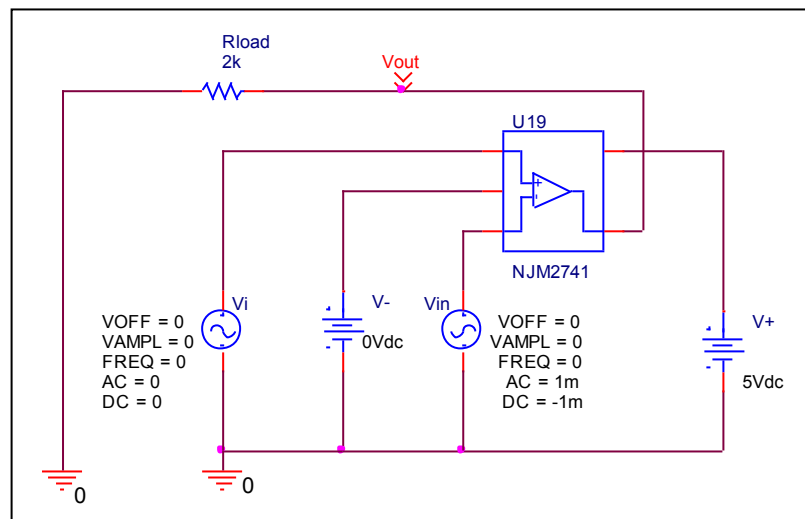
	Data sheet	Simulation	%Error
Ib(nA)	100.000	100.856	0.856
Ibos(nA)	5.000	5.001	0.020

Open Loop Voltage Gain vs. Frequency

Simulation result



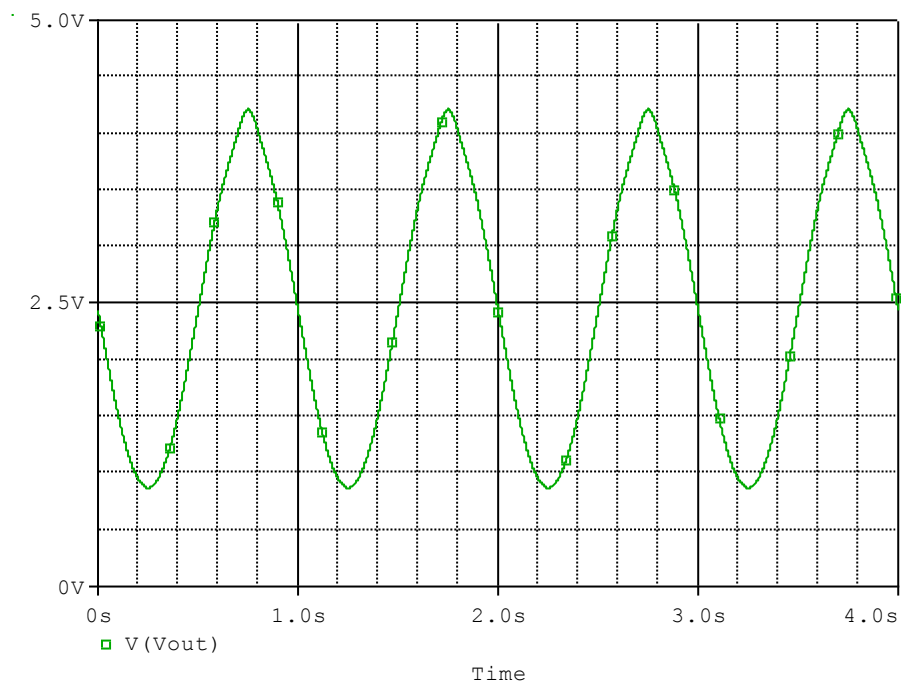
Evaluation circuit



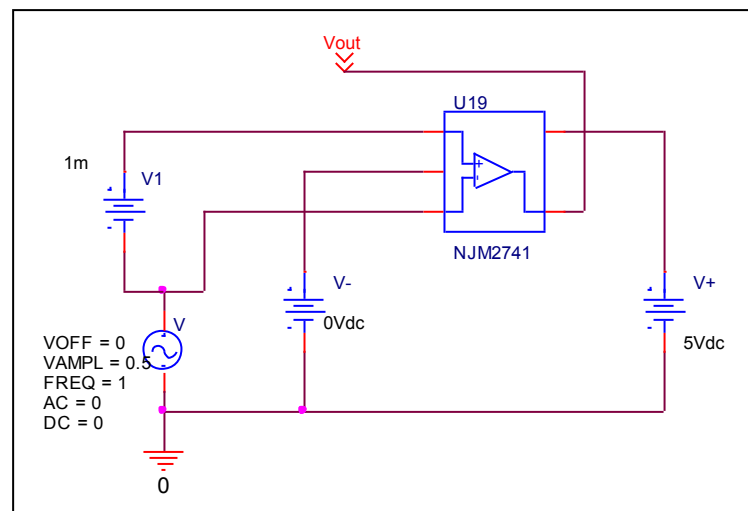
	Data sheet	Simulation	%Error
f-0dB(MHz)	10.000	9.601	-3.990
Av-dc(dB)	85.000	84.748	-0.296

Common-Mode Rejection Voltage gain

Simulation result



Evaluation circuit



Common Mode Reject Ratio= $17274.281/3.342=5168.845$

CMRR	Data sheet	Simulation	%Error
		75.000	74.267