

Device Modeling Report

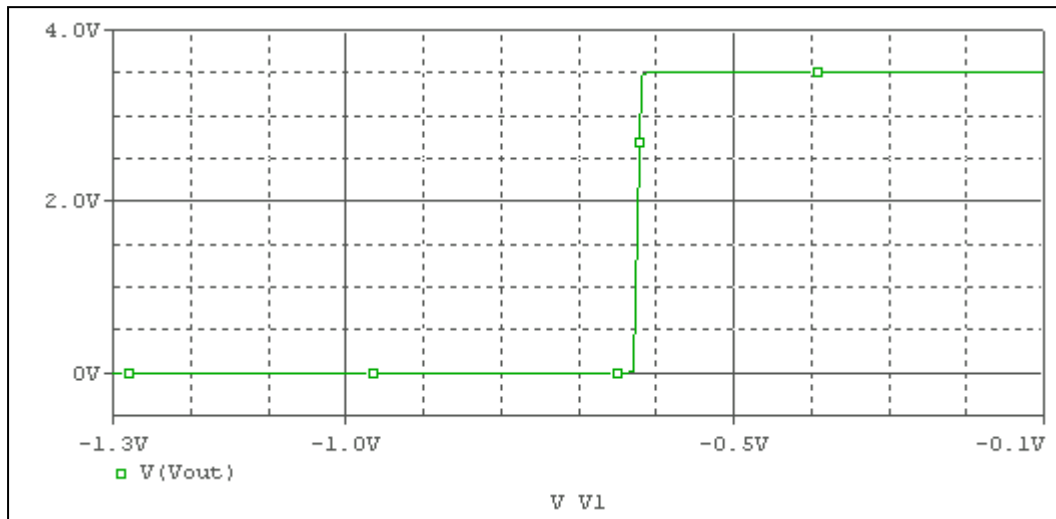
COMPONENTS:MOSFET: OPERATIONAL AMPLIFIER
PART NUMBER:NJM12902V
MANUFACTURER: NEW JAPAN RADIO CO.,LTD



Bee Technologies Inc.

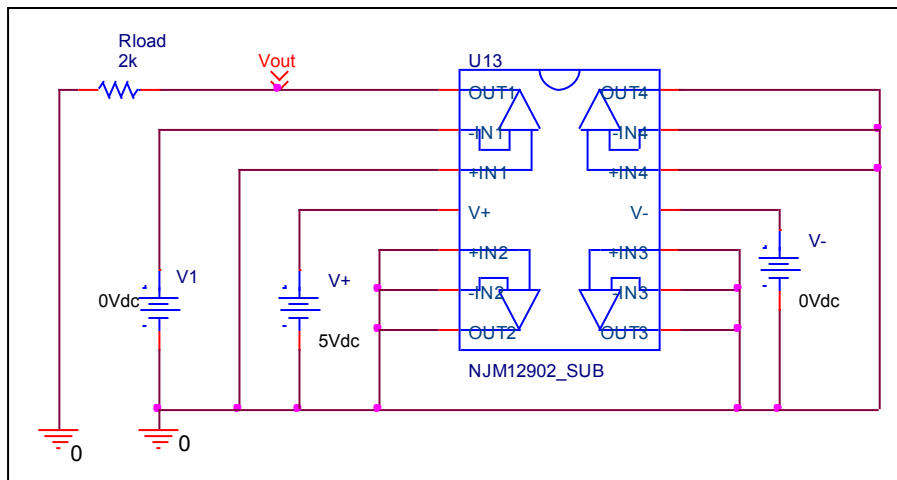
Output Voltage Swing, +Vout and -Vout

Simulation result



These simulation results are compared with $\pm V_{out}$

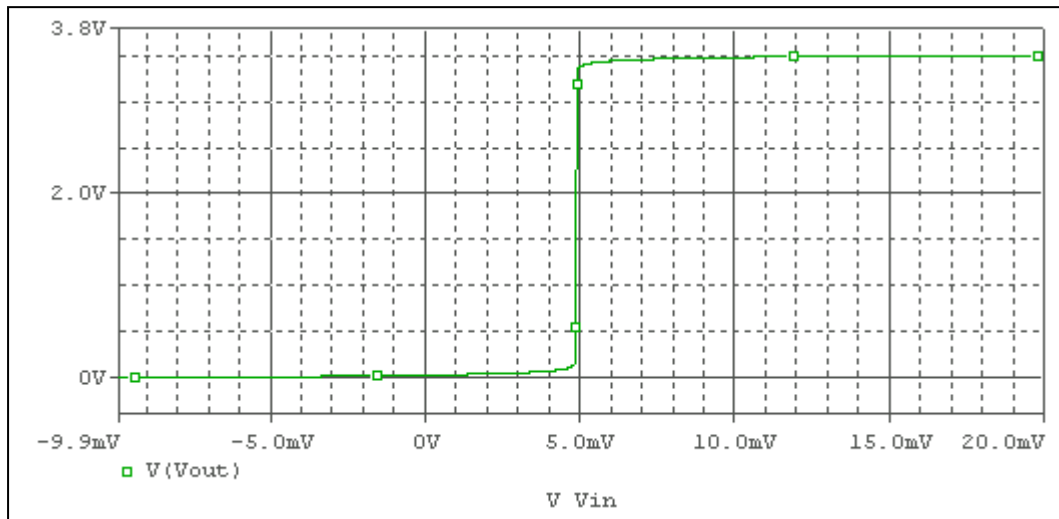
Evaluation circuit



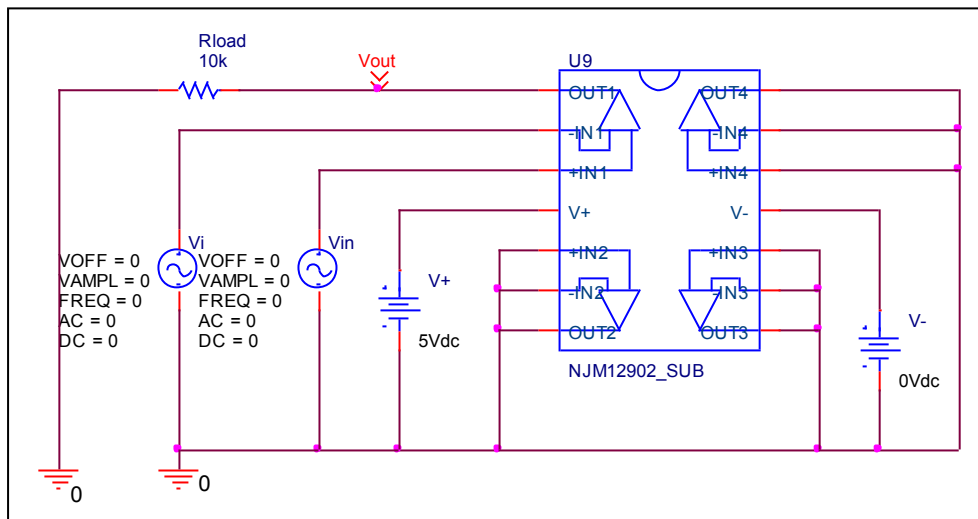
Output Voltage Swing	Data sheet	Simulation	%Error
+Vout(V)	3.5	3.499	0.028

Input Offset Voltage

Simulation result



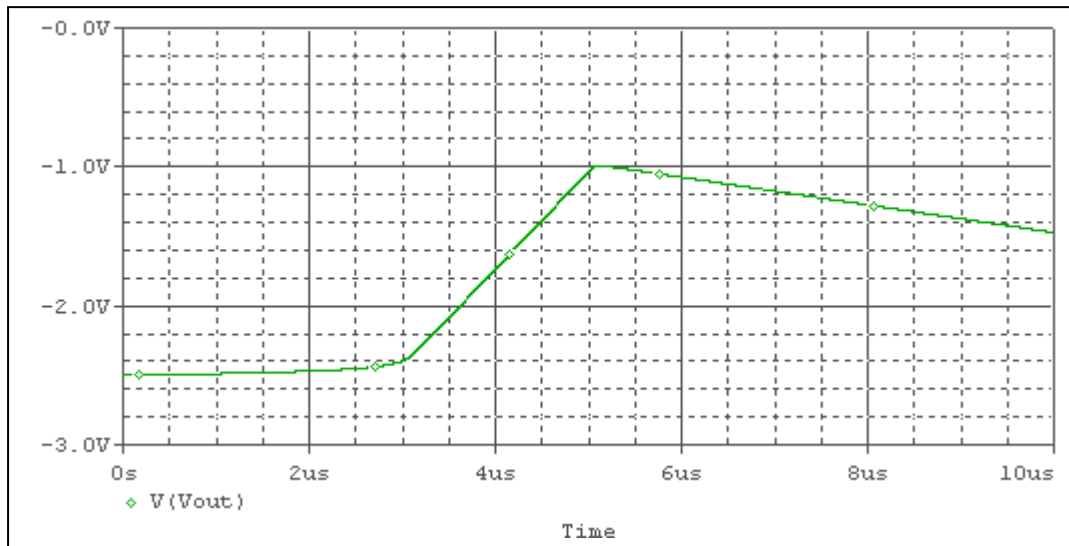
Evaluation circuit



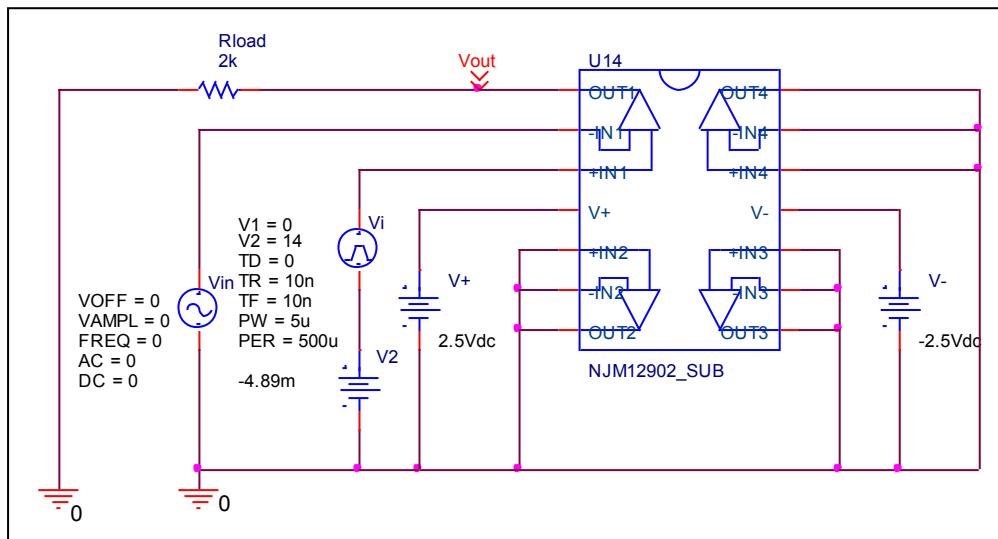
Vos	Measurement		Simulation		Error	
		5	mV	4.89	mV	2.2

Slew Rate, +SR, -SR

Simulation result



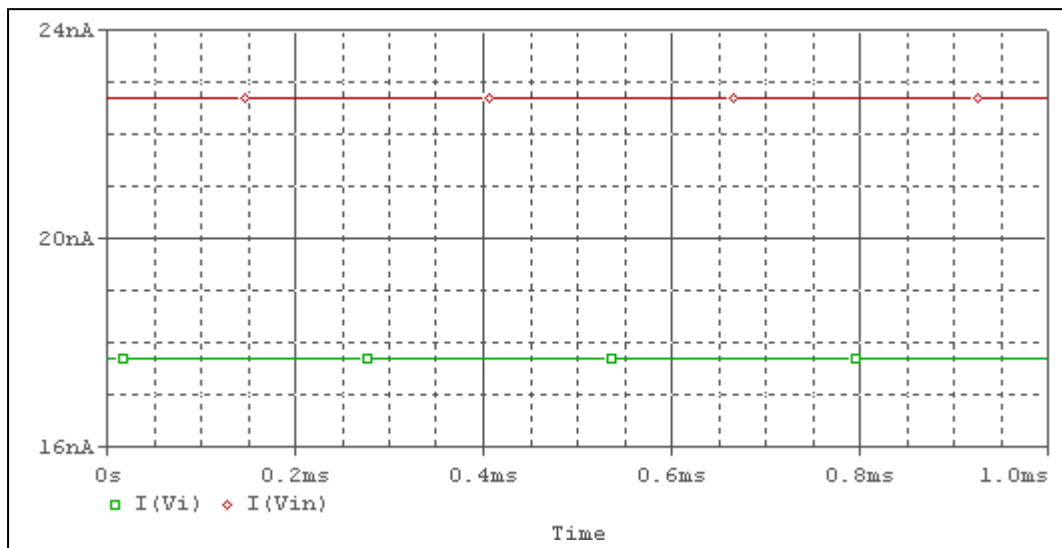
Evaluation circuit



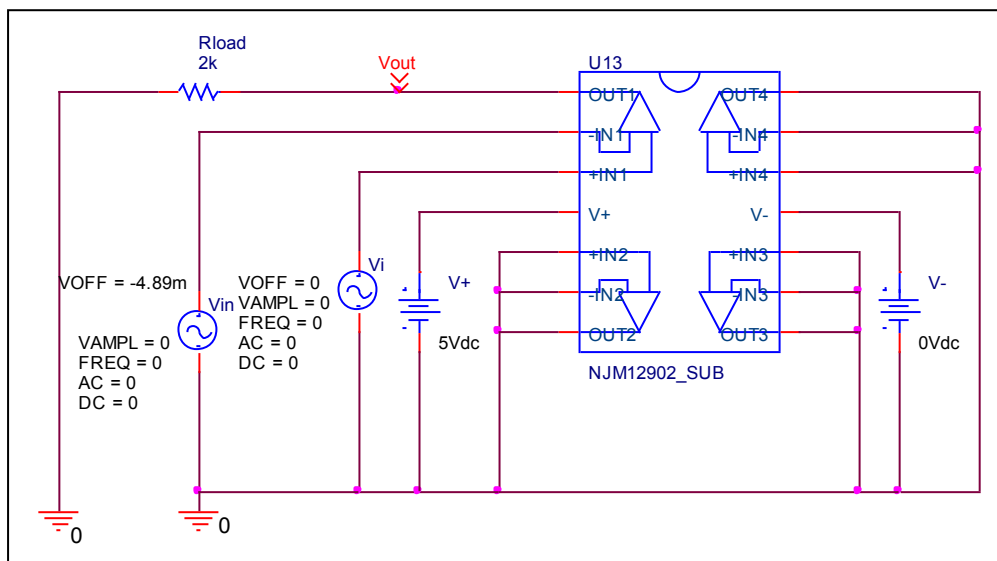
Slew Rate(v/us)	Data sheet	Simulation	%Error
		0.7V/us	0.7V/us

Input current I_b , I_{bos}

Simulation result



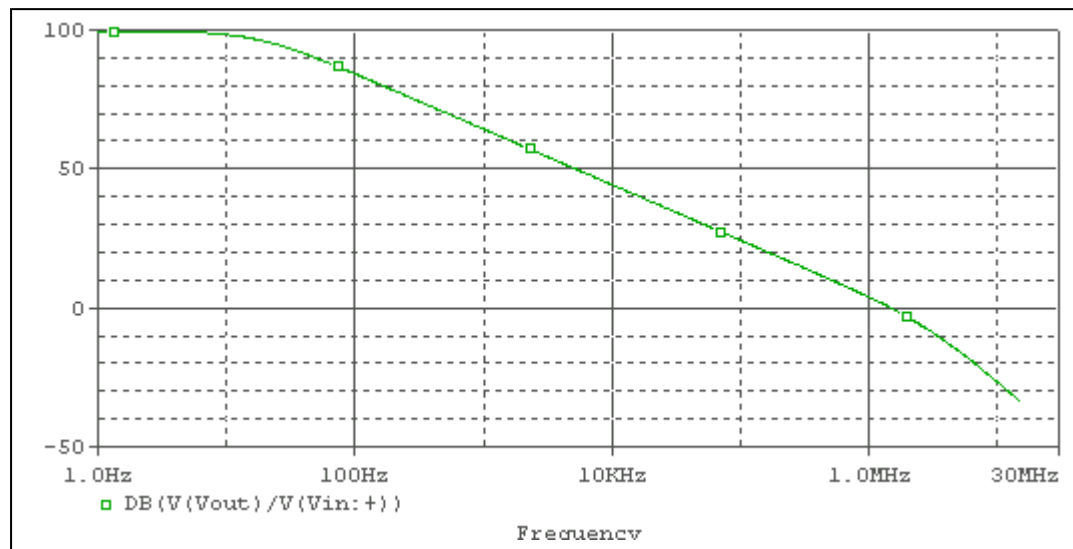
Evaluation circuit



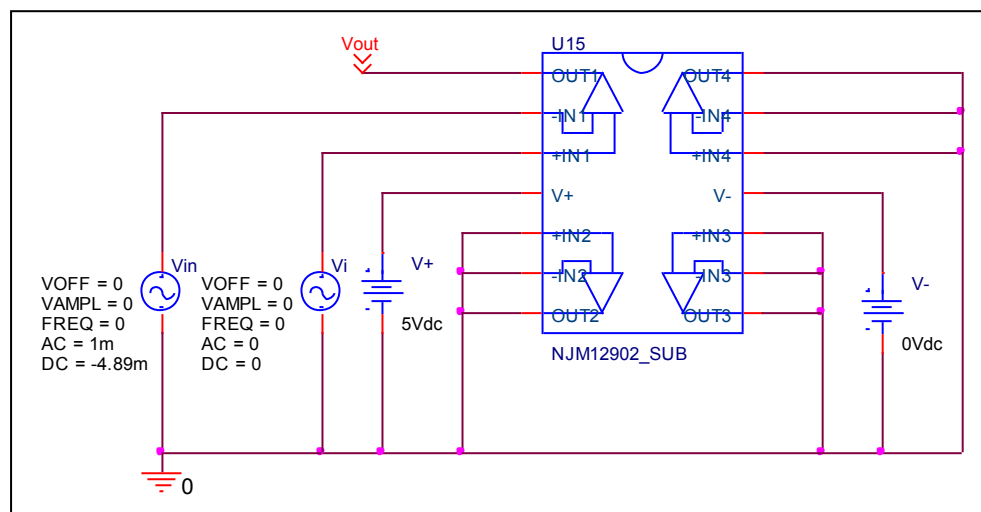
	Data sheet	Simulation	%Error
$I_b(nA)$	20	20.1	0.5
$I_{bos}(nA)$	5	4.98	0.4

Open Loop Voltage Gain vs. Frequency , Av-dc, f-0dB

Simulation result



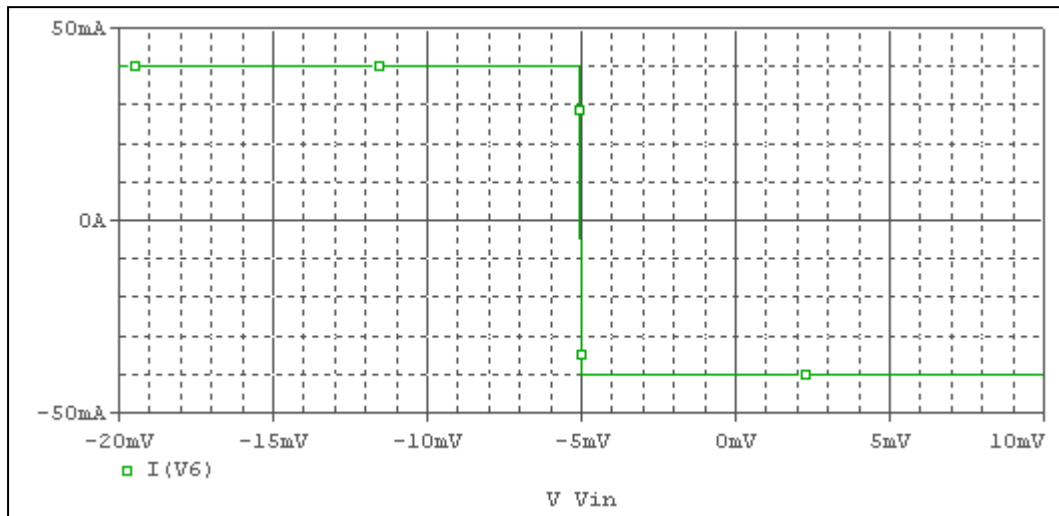
Evaluation circuit



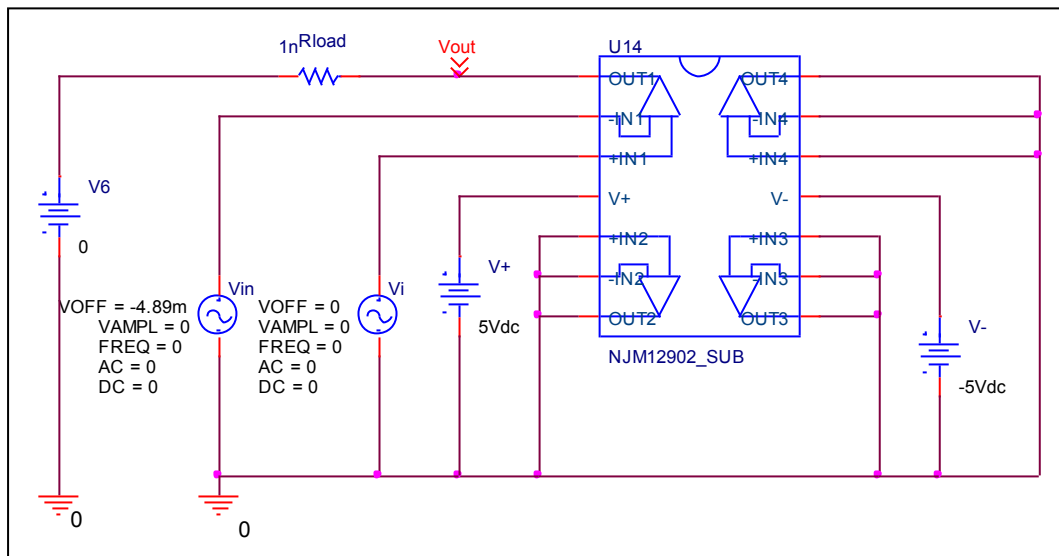
	Data sheet	Simulation	%Error
f-0dB(MHz)	1.5	1.48	1.33
Av-dc(dB)	100	99.57	0.43

Output Short Circuit Current - Ios

Simulation result



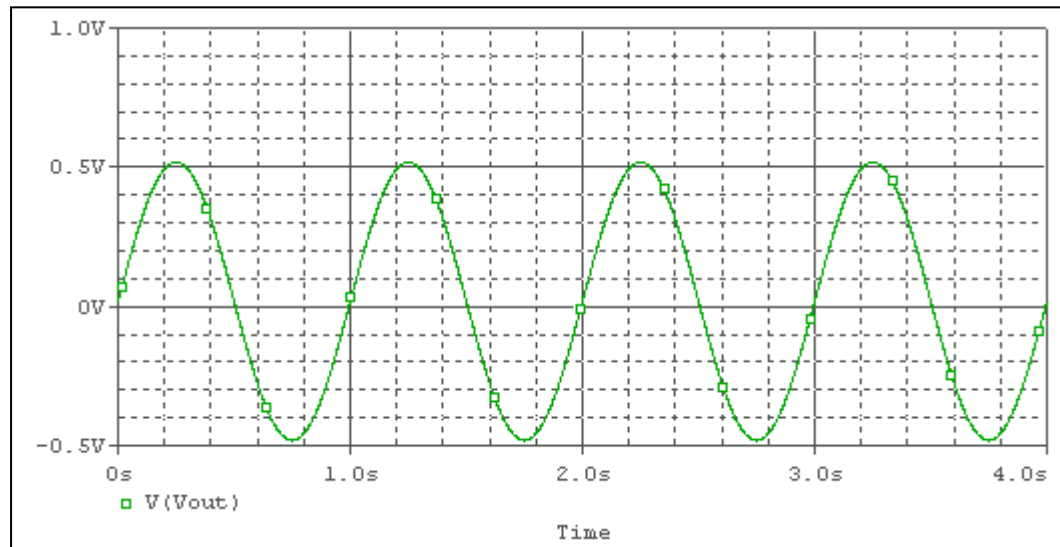
Evaluation circuit



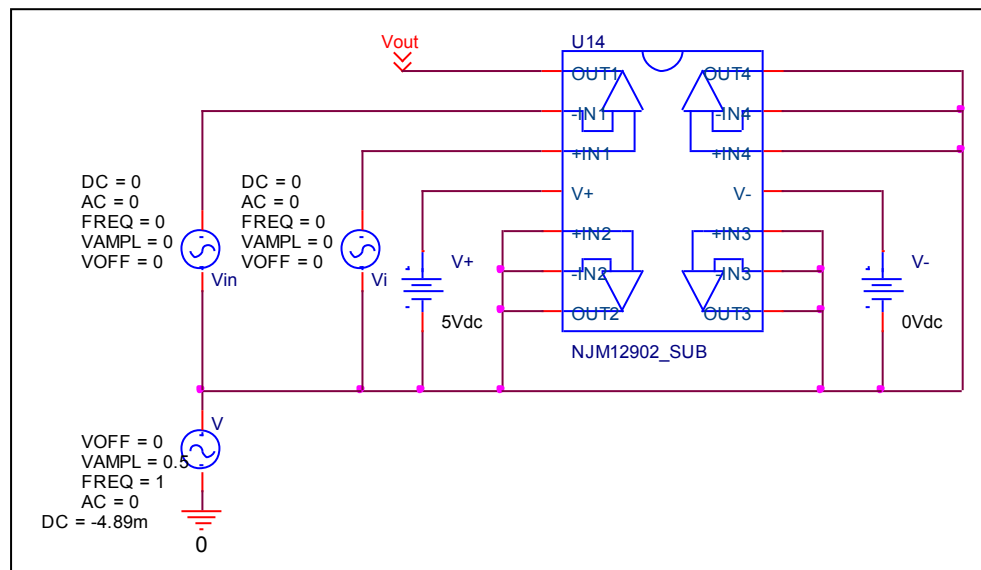
Short Circuit Current	Data sheet	Simulation	%Error
	40mA	40.04mA	0.1

Common-Mode Rejection Voltage gain

Simulation result



Evaluation circuit



Common mode gain=5.6236/1

Common Mode Reject Ratio=95169/5.6236=16923

CMRR(dB)	Data sheet	Simulation	%Error
		85	84.56