

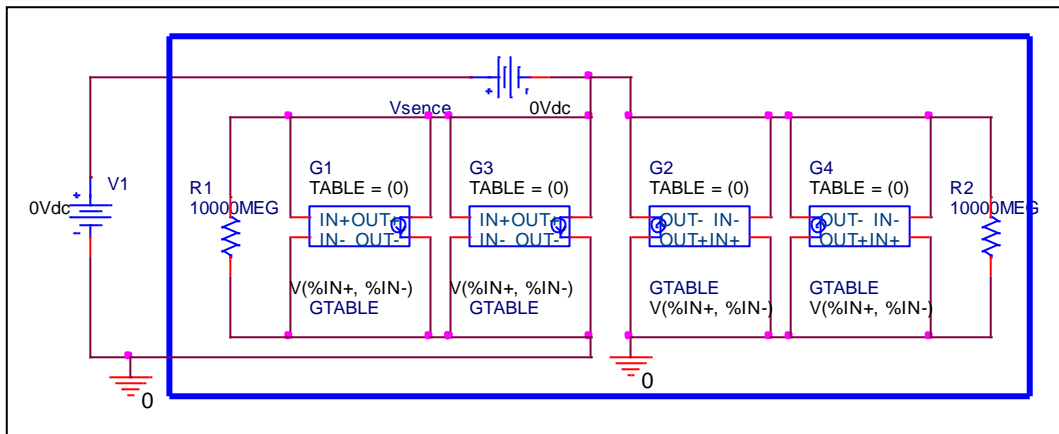
Device Modeling Report

COMPONENTS: ZNR Transient/Surge Absorber
PART NUMBER: ERZC32EK112
MANUFACTURER: Panasonic



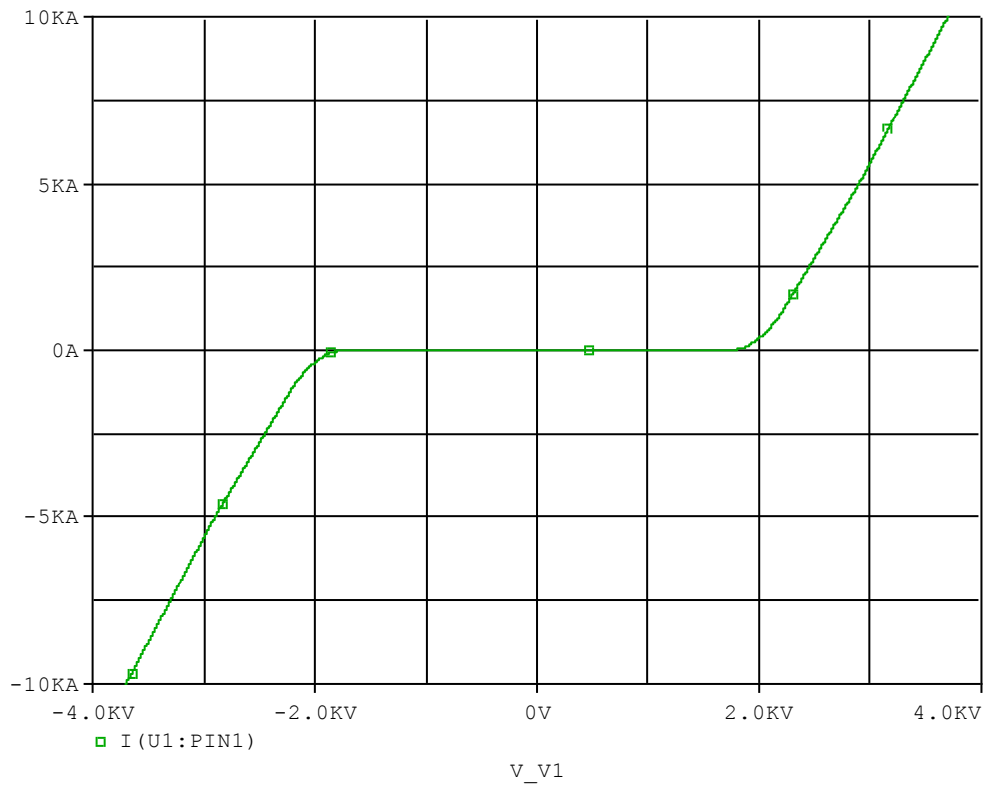
Bee Technologies Inc.

Equivalent Circuit

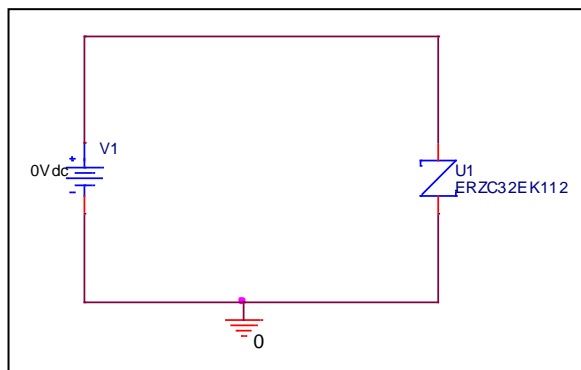


ZNR Transient /Surge Absorber

Circuit Simulation Result

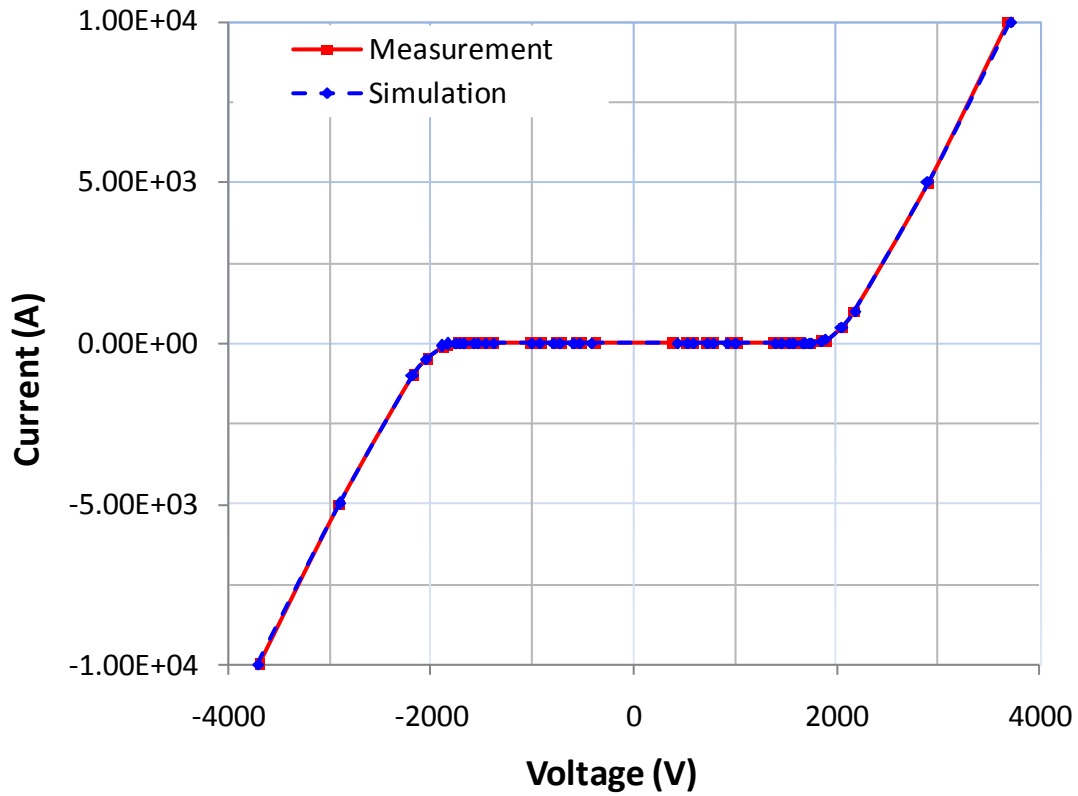


Evaluation Circuit



ZNR Transient /Surge Absorber

Comparison Graph



Simulation Result

I(A)	VFwd (V)		Error (%)
	Measurement	Simulation	
5.00E-06	525.000	536.331	2.158
1.00E-05	585.000	588.169	0.542
1.00E-04	780.000	780.333	0.043
1.00E-03	1010.000	1010.100	0.010
1.00E-02	1460.000	1460.000	0.000
1.00E-01	1580.000	1580.000	0.000
1.00E+00	1680.000	1685.000	0.298
1.00E+01	1750.000	1751.100	0.063
1.00E+02	1890.000	1890.200	0.011
1.00E+03	2180.000	2180.100	0.005
1.00E+04	3700.000	3711.700	0.316