

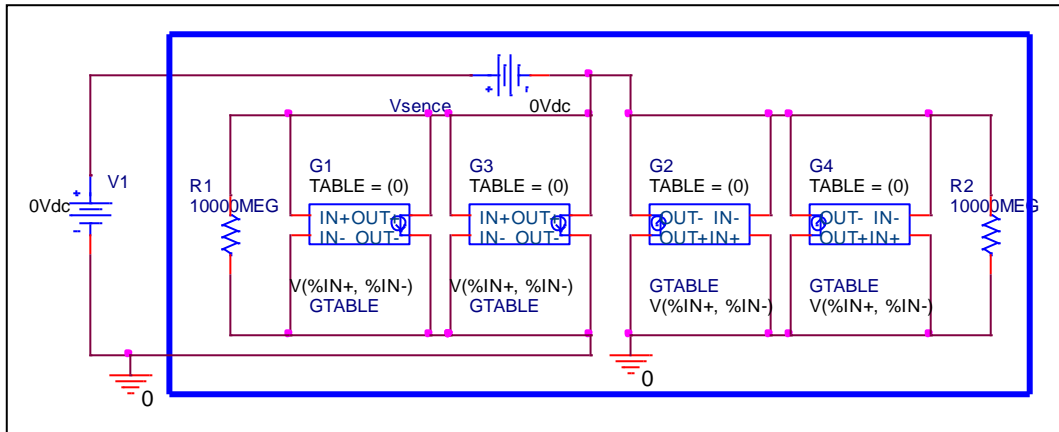
# Device Modeling Report

COMPONENTS: ZNR Transient/Surge Absorber  
PART NUMBER: ERZC32EK471  
MANUFACTURER: Panasonic



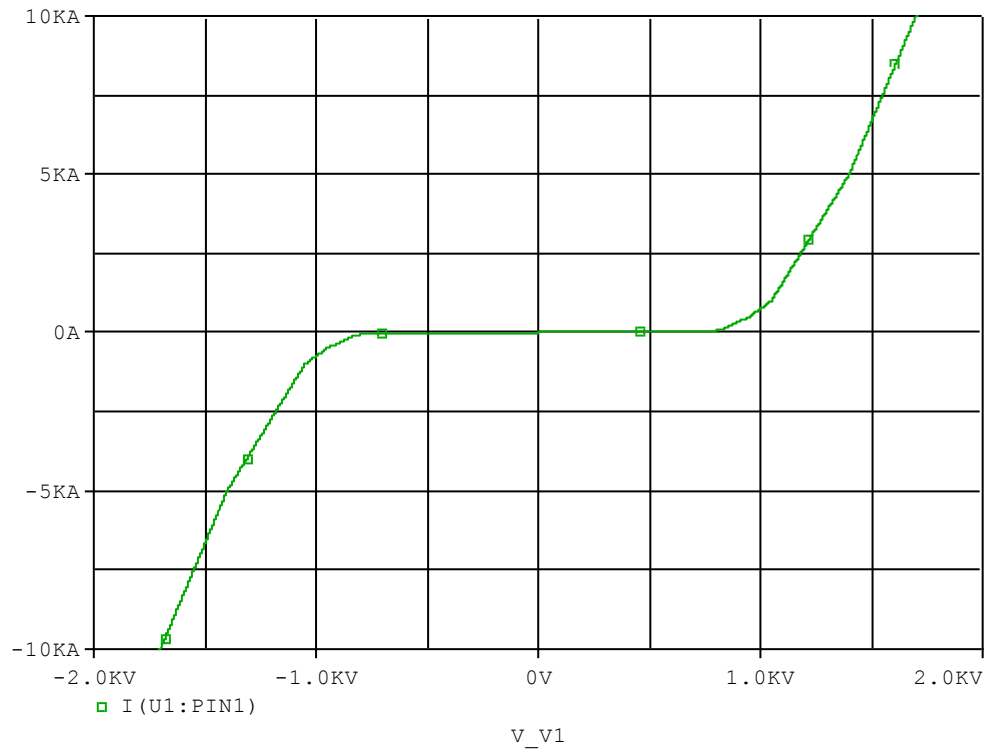
**Bee Technologies Inc.**

# Equivalent Circuit

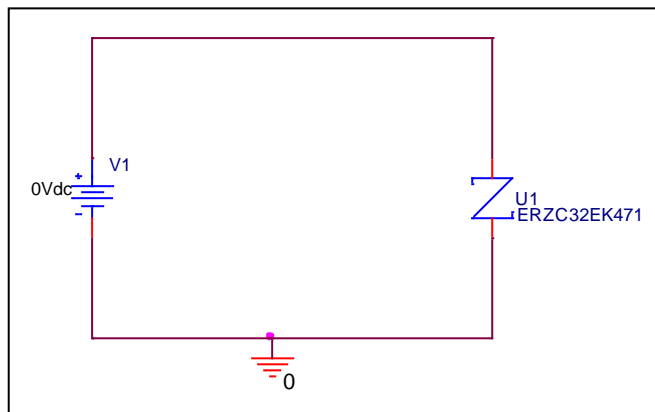


# ZNR Transient /Surge Absorber

## Circuit Simulation Result

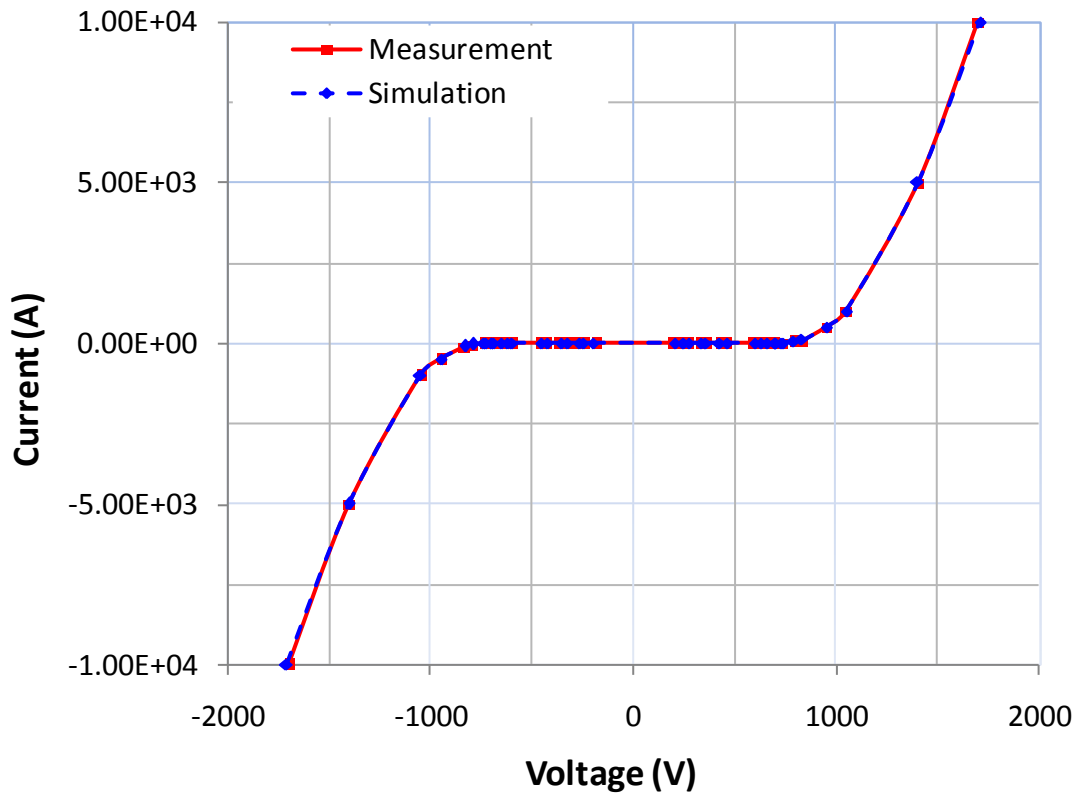


## Evaluation Circuit



# ZNR Transient /Surge Absorber

## Comparison Graph



### Simulation Result

I(A)	VFwd (V)		Error (%)
	Measurement	Simulation	
5.00E-06	245.000	249.870	1.988
1.00E-05	270.000	271.458	0.540
1.00E-04	357.500	357.663	0.046
1.00E-03	458.000	458.033	0.007
1.00E-02	625.000	625.001	0.000
1.00E-01	666.000	695.000	4.354
1.00E+00	700.000	702.500	0.357
1.00E+01	735.000	735.550	0.075
1.00E+02	830.000	830.120	0.014
1.00E+03	1050.000	1050.000	0.000
1.00E+04	1700.000	1710.000	0.588