

# Device Modeling Report

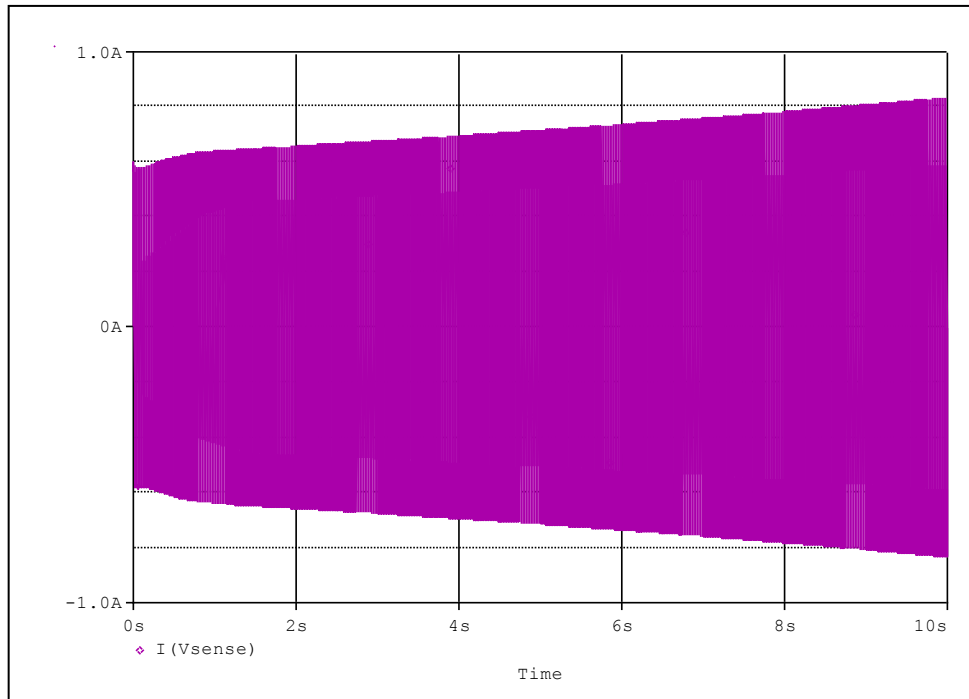
COMPONENTS: POWER THERMISTOR  
PART NUMBER: 16D-13  
MANUFACTURER: Ishizuka Electronics Corporation



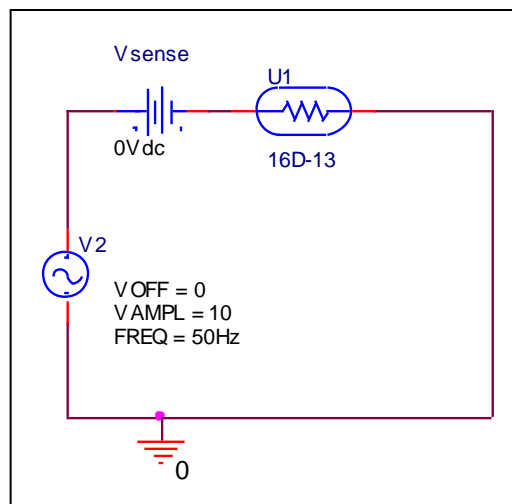
**Bee Technologies Inc.**

# Thermistor Current Transient Characteristic

## Simulation result

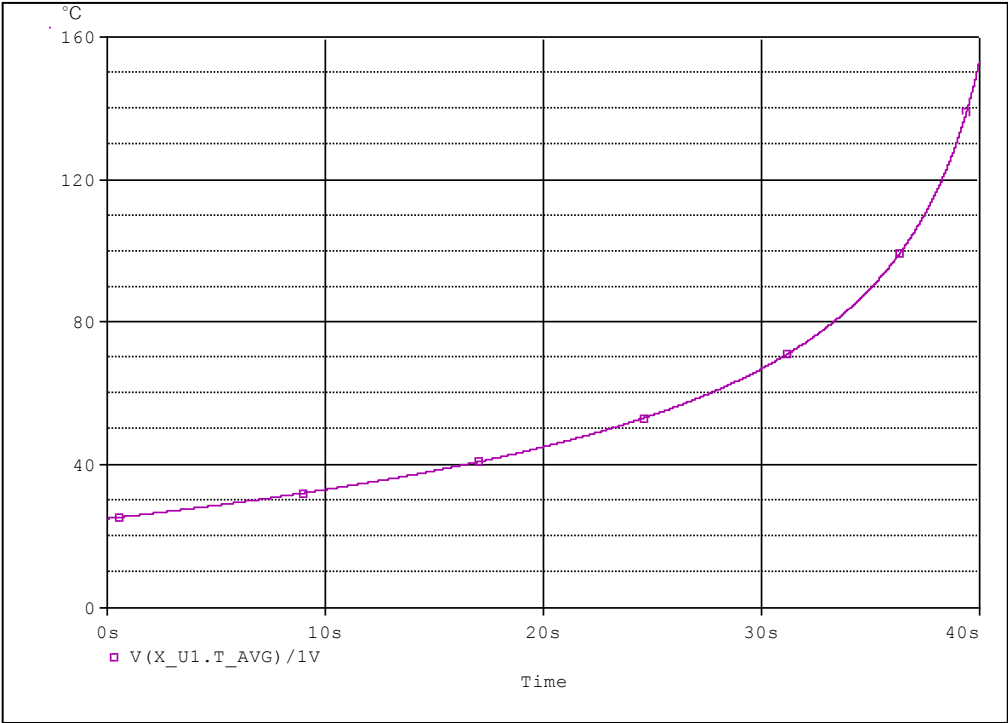


## Evaluation circuit

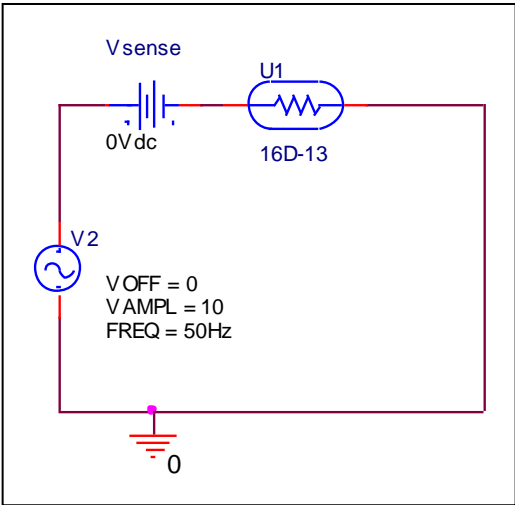


# Thermal Characteristic (temperature vs. time)

## Simulation result

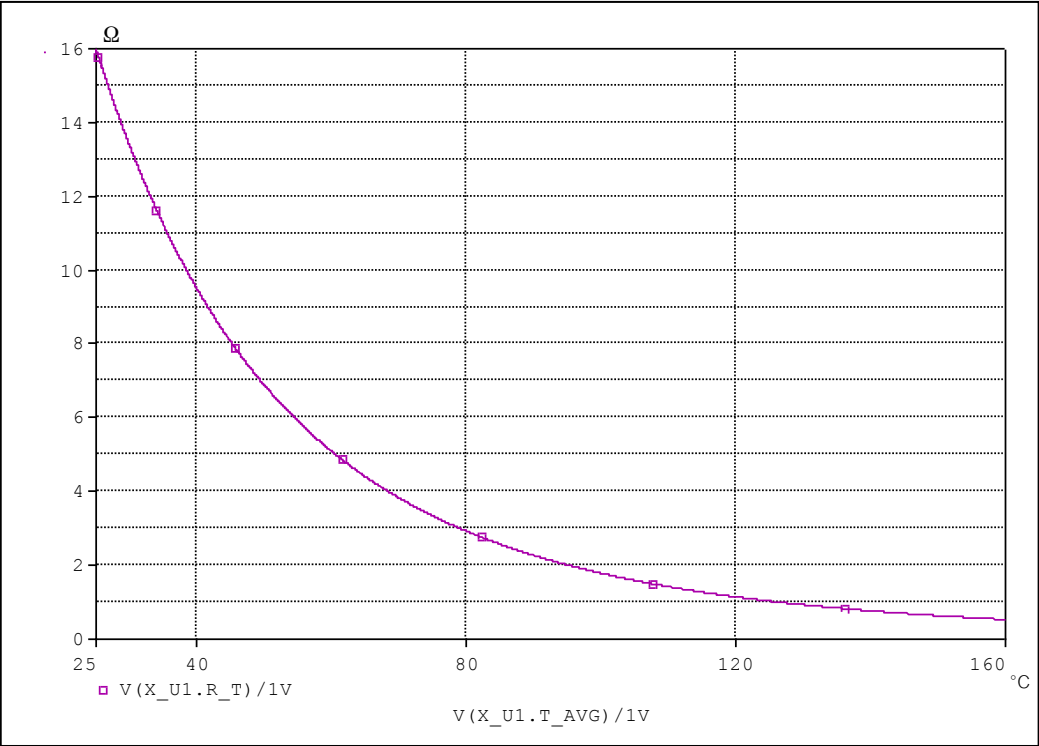


## Evaluation circuit



# Resistance Characteristic

## Simulation result



## Evaluation circuit

