

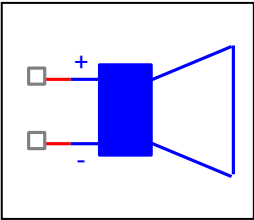
Evaluation Report

COMPONENTS:Speaker
PART NUMBER: FE87E
Class:Full Range
MANUFACTURER: FOSTEX



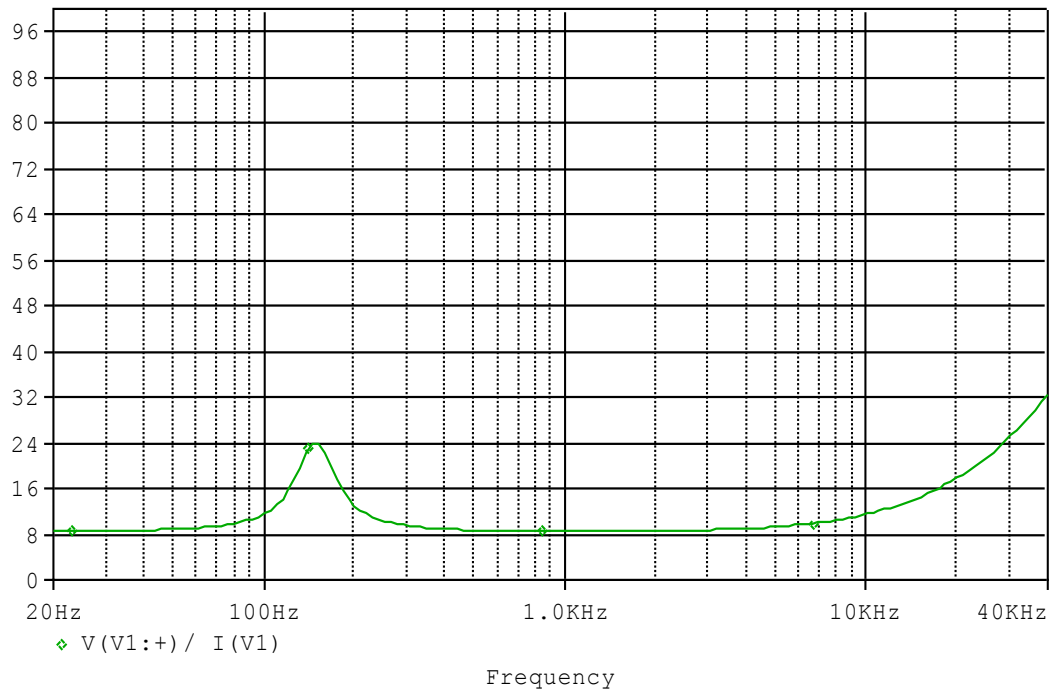
Bee Technologies Inc.

Circuit Configuration

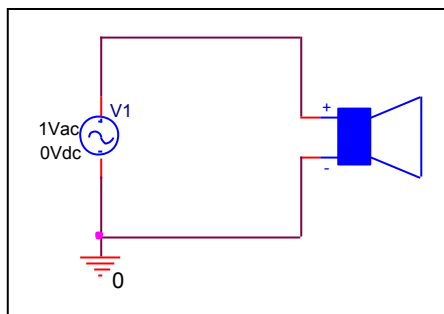


Frequency Response & Impedance Characteristic

Circuit Simulation Result

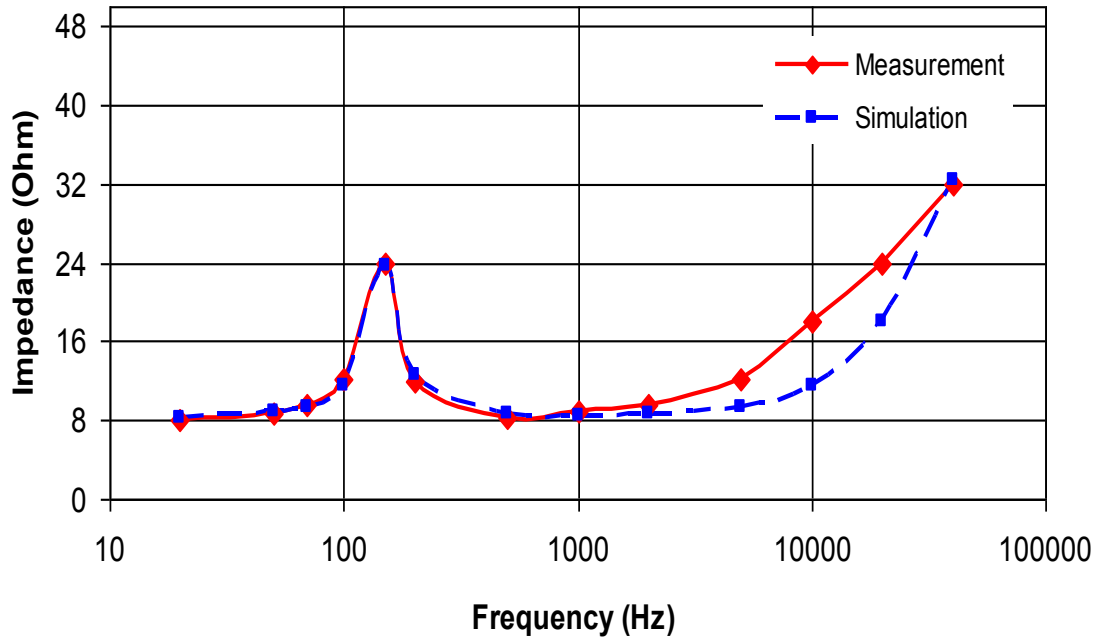


Evaluation circuit



Circuit Simulation Result

Comparison graph



Simulation Result

Frequency (Hz)	Impedance(ohm)		%Error
	Measurement	Simulation	
20	7.980	8.351	4.649
50	8.600	8.886	3.326
100	12.200	11.618	-4.770
150	24.000	23.765	-0.979
200	12.000	12.576	4.800
500	8.300	8.707	4.904
1000	8.900	8.537	-4.079