

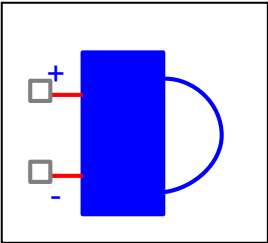
Evaluation Report

COMPONENTS:Speaker
Class:Tweeter
PART NUMBER: 400HT
MANUFACTURER: FOSTEX



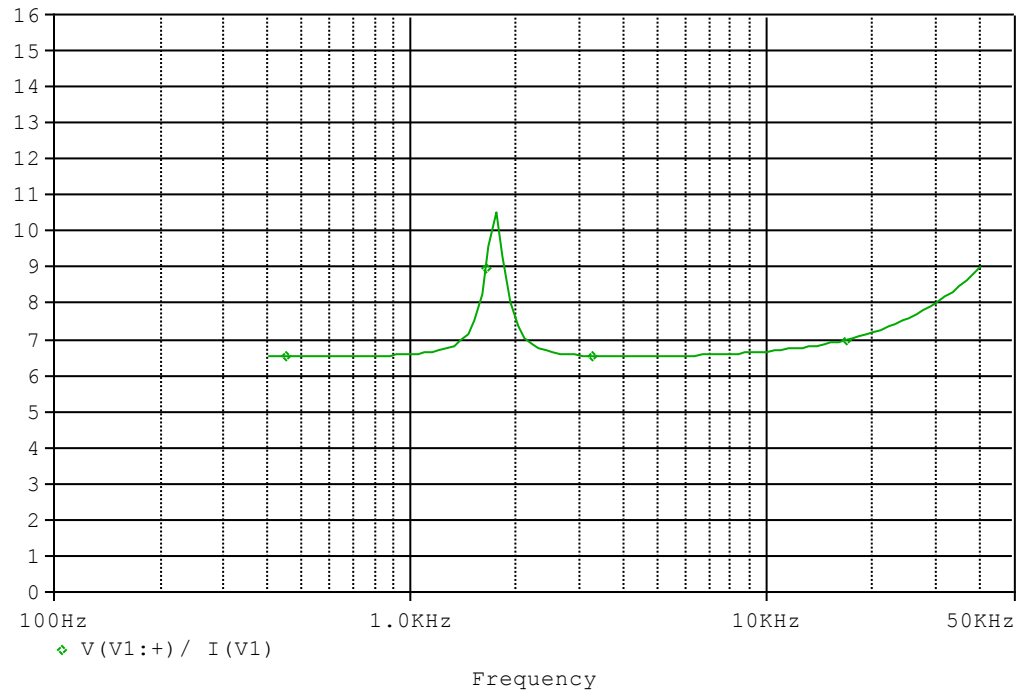
Bee Technologies Inc.

Circuit Configuration

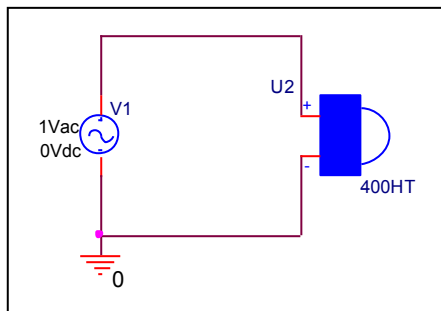


Frequency Response & Impedance Characteristic

Circuit Simulation Result

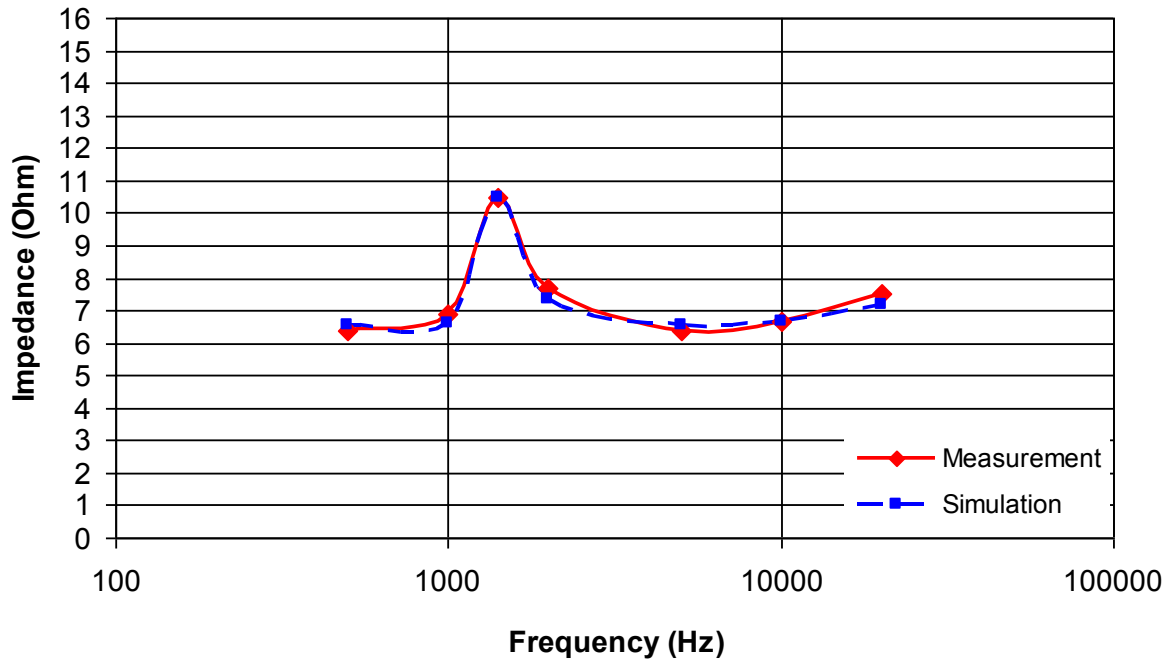


Evaluation circuit



Circuit Simulation Result

Comparison graph



Simulation Result

Frequency (Hz)	Impedance(ohm)		%Error
	Measurement	Simulation	
500	6.400	6.521	1.891
1000	6.900	6.583	-4.594
2000	7.700	7.338	-4.701
5000	6.400	6.537	2.141
10000	6.650	6.668	0.271
20000	7.500	7.202	-3.973