

Device Modeling Report

COMPONENTS: SOLAR MOTOR
PART NUMBER: RF-270RH
MANUFACTURER: TAMIYA
REMARK: SOLAR CELL =0.5VDC



Bee Technologies Inc.

Theory: Auto Balancing Bridge Method

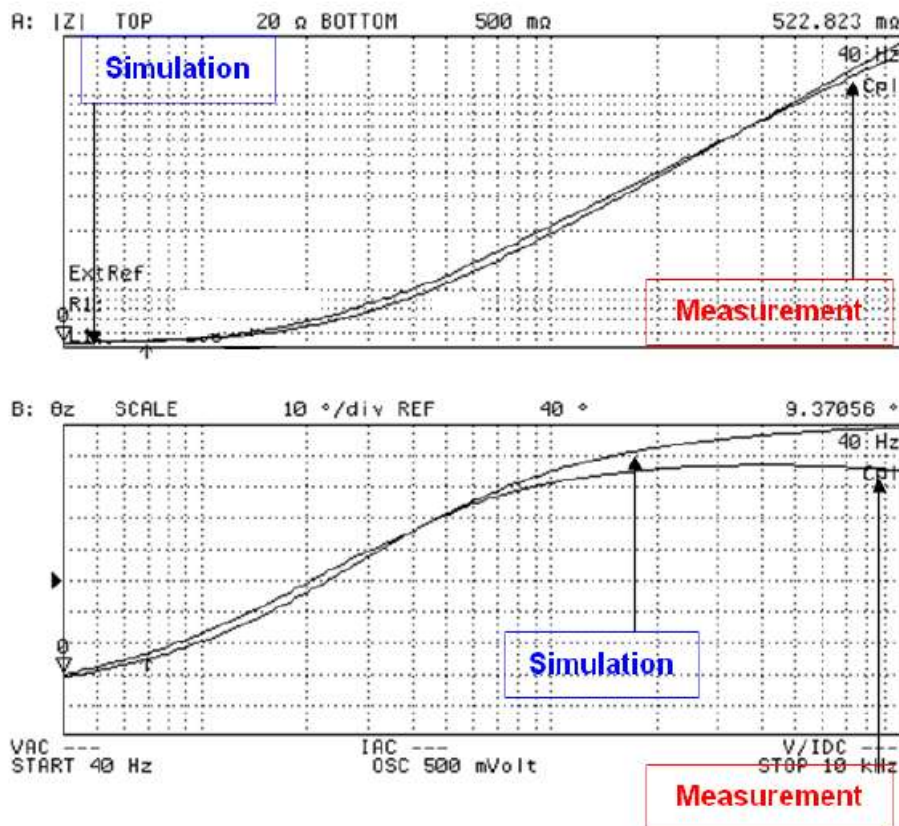
Optimization of Simulation

Range of adjustment Frequency:40 to10K(Hz)

Frequency vs. $|Z|$ and Frequency vs. θz Characteristic

Attention)

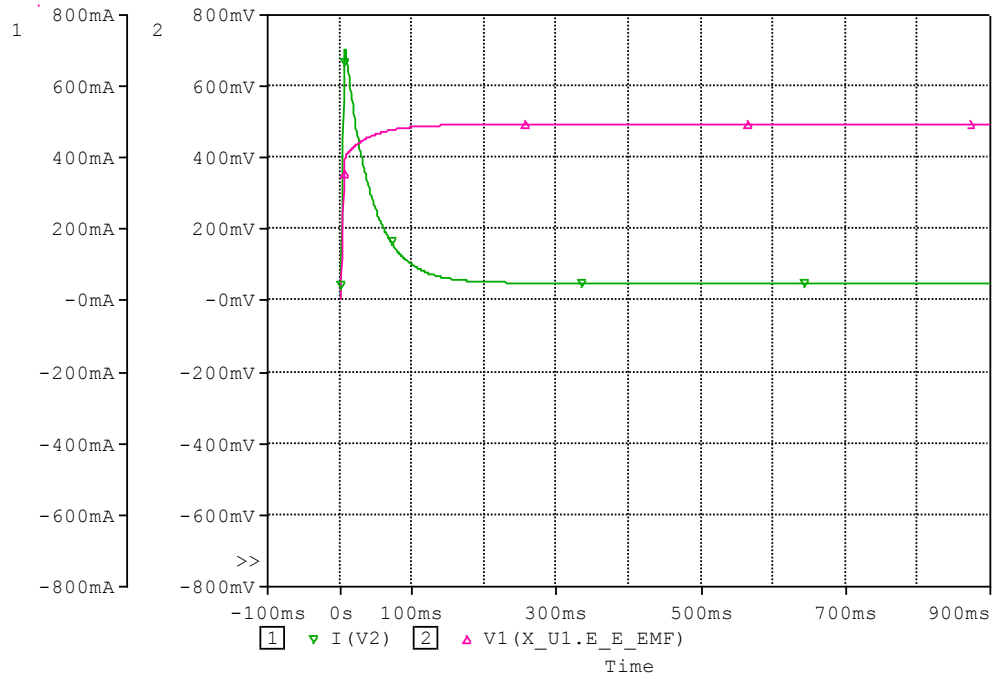
Please use SPICE MODEL within the range from 40 to 10K(Hz) for best accuracy.



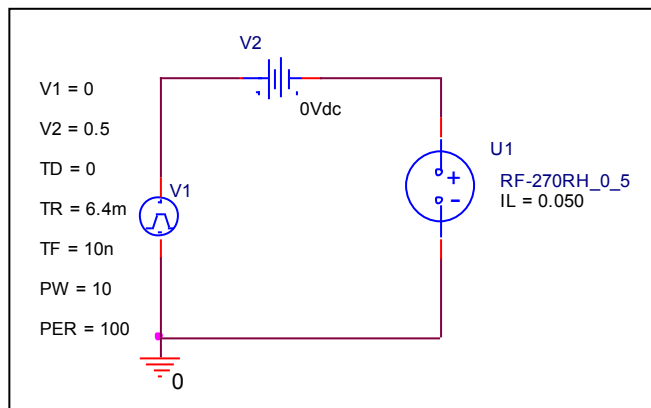
LM	
RS	
CP	

DC Motor Voltage and Current Characteristics at No load

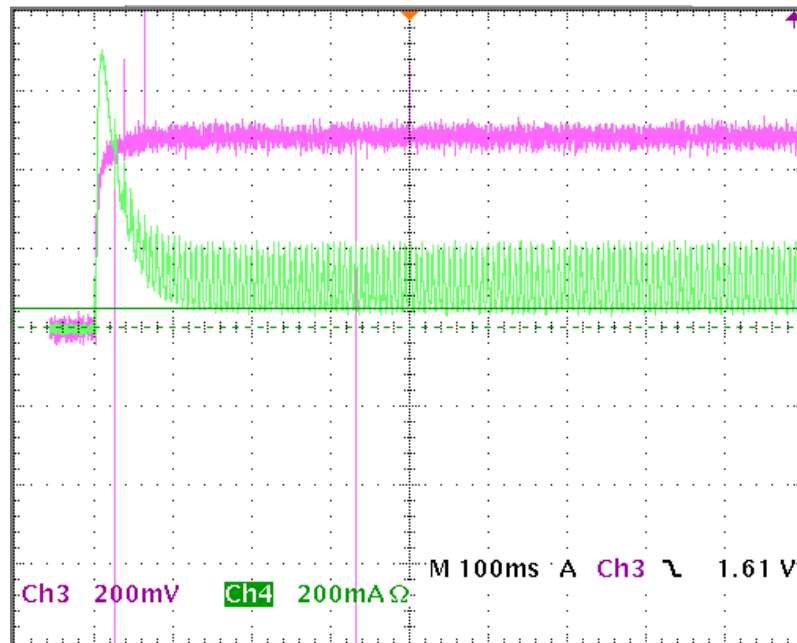
Circuit simulation result



Evaluation circuit

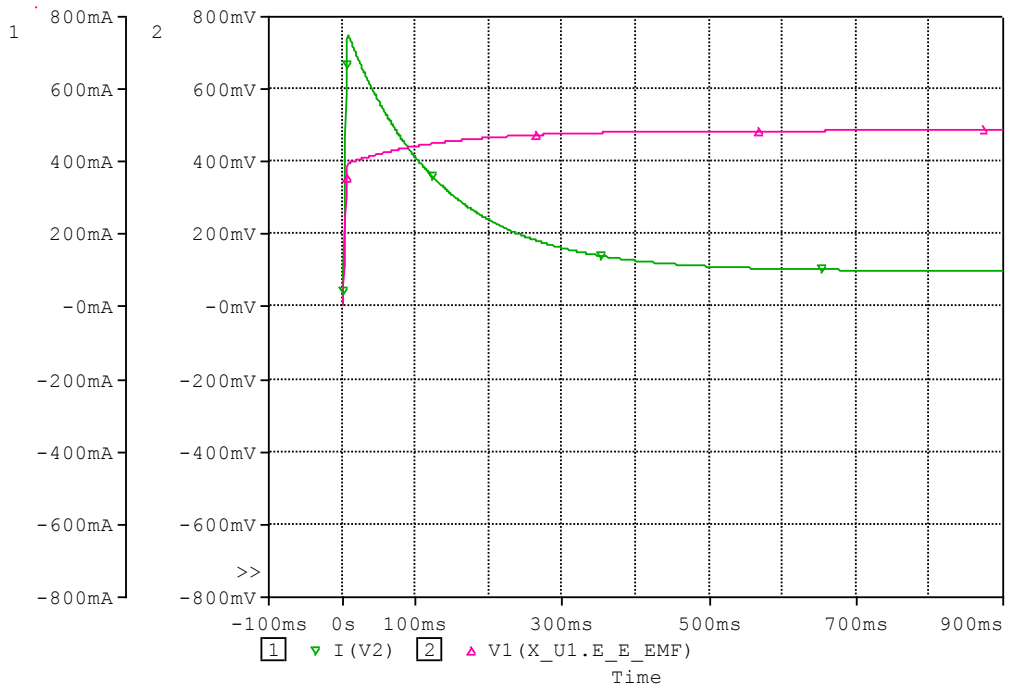


DC Motor Voltage and Current Characteristics (No load) Reference

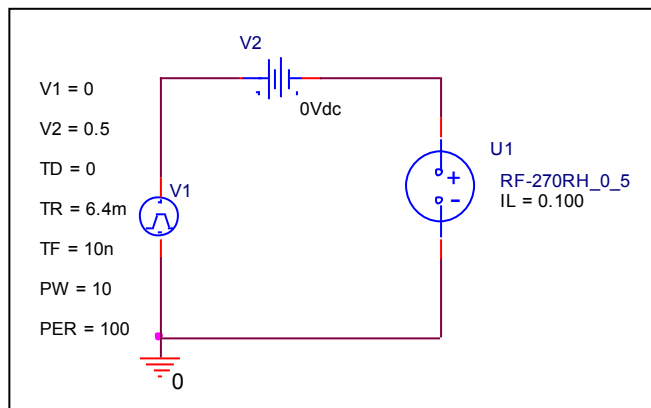


DC Motor Voltage and Current Characteristics at Fan load

Circuit simulation result



Evaluation circuit



DC Motor Voltage and Current Characteristics (Fan load) Reference

