

Device Modeling Report

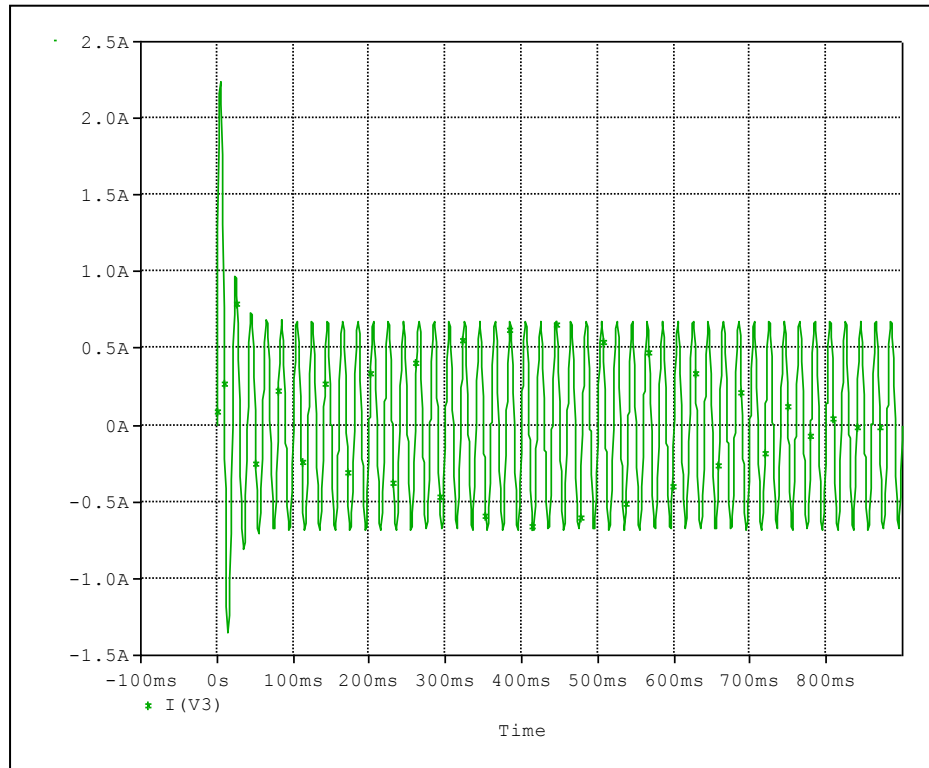
COMPONENTS: Filament Lamp
PART NUMBER: BELLA K SIL 100
MANUFACTURER: OSRAM GmbH



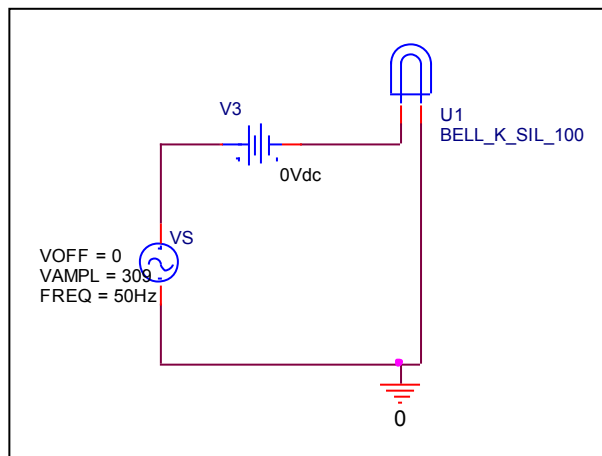
Bee Technologies Inc.

Transient Current Characteristics

Circuit simulation result



Evaluation circuit



Transient Current Characteristics

Reference

