

# Device Modeling Report

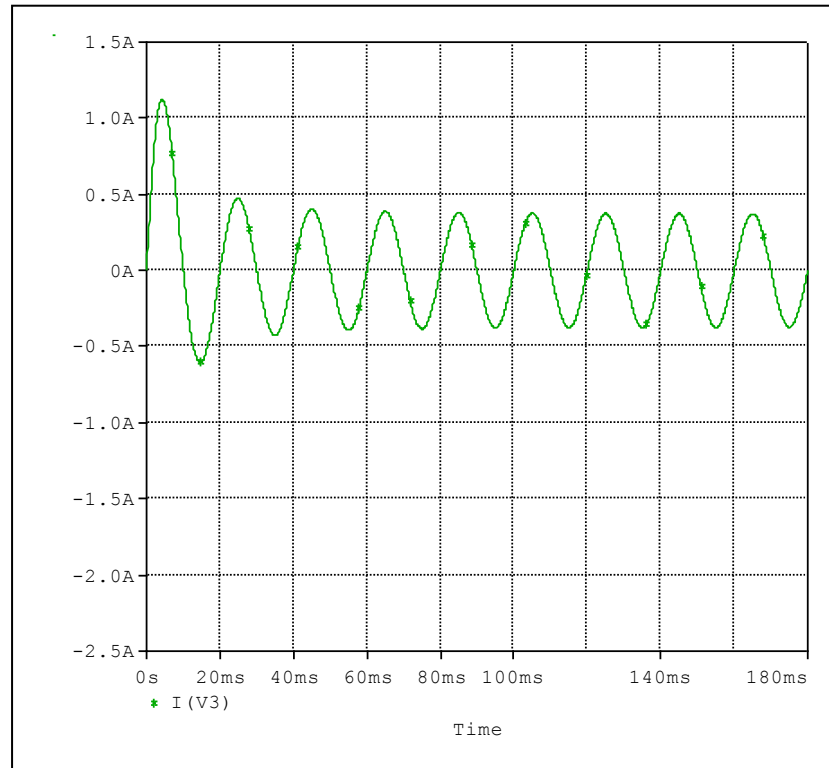
COMPONENTS: Filament Lamp  
PART NUMBER: SOF60W230VES  
MANUFACTURER: PT. Philips Indonesia



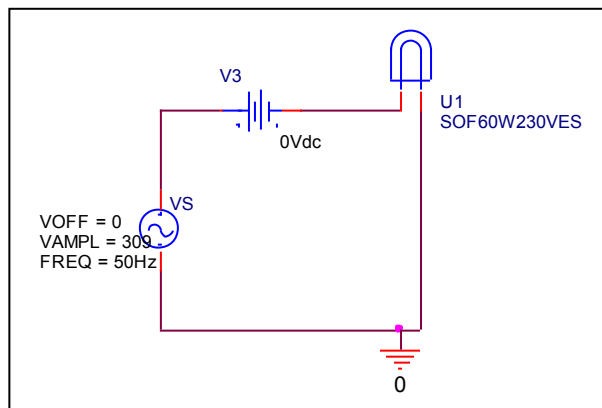
**Bee Technologies Inc.**

## Transient Current Characteristics

### Circuit simulation result



### Evaluation circuit



# Transient Current Characteristics

# Reference

