

Device Modeling Report

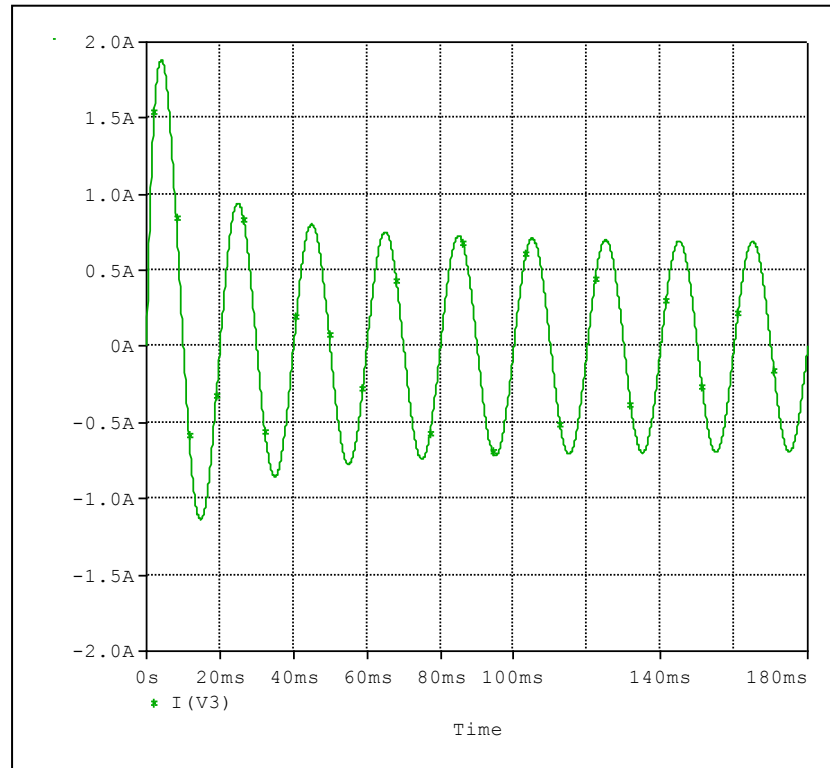
COMPONENTS: Filament Lamp
PART NUMBER: SP100W230VES
MANUFACTURER: Philips Lighting Poland



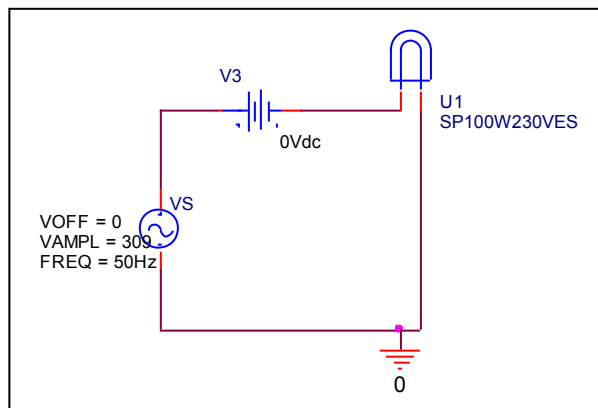
Bee Technologies Inc.

Transient Current Characteristics

Circuit simulation result



Evaluation circuit



Transient Current Characteristics

Reference

