

Device Modeling Report

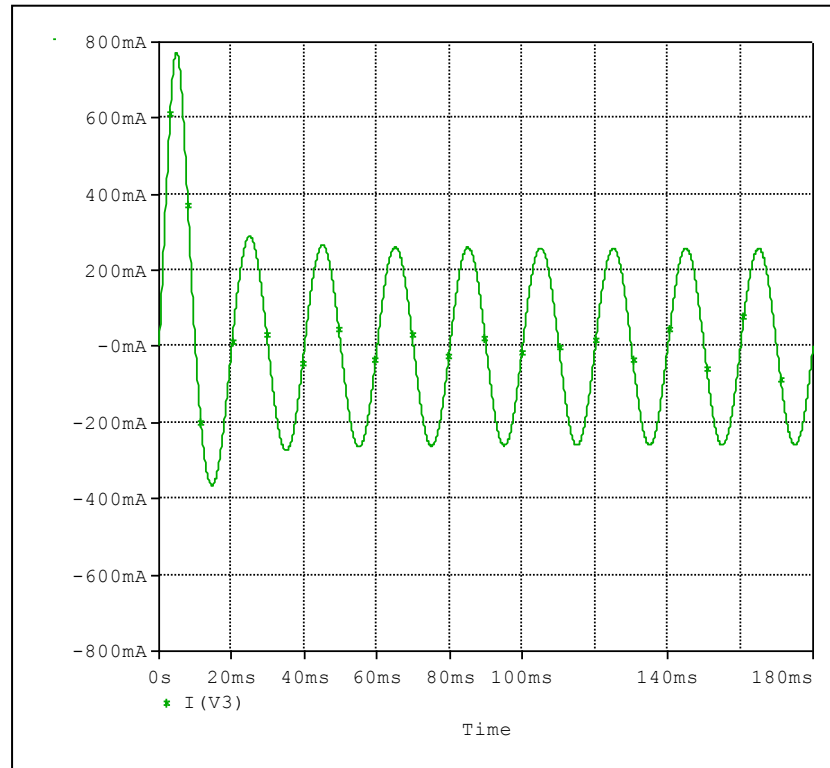
COMPONENTS: Filament Lamp
PART NUMBER: SP40W230VES
MANUFACTURER: PT. Philips Ralin Electronics



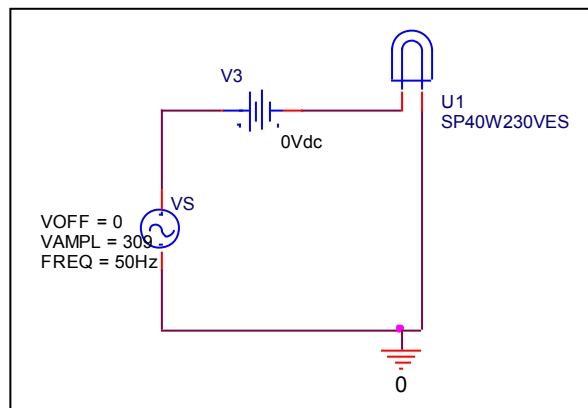
Bee Technologies Inc.

Transient Current Characteristics

Circuit simulation result



Evaluation circuit



Transient Current Characteristics

Reference

