

Device Modeling Report

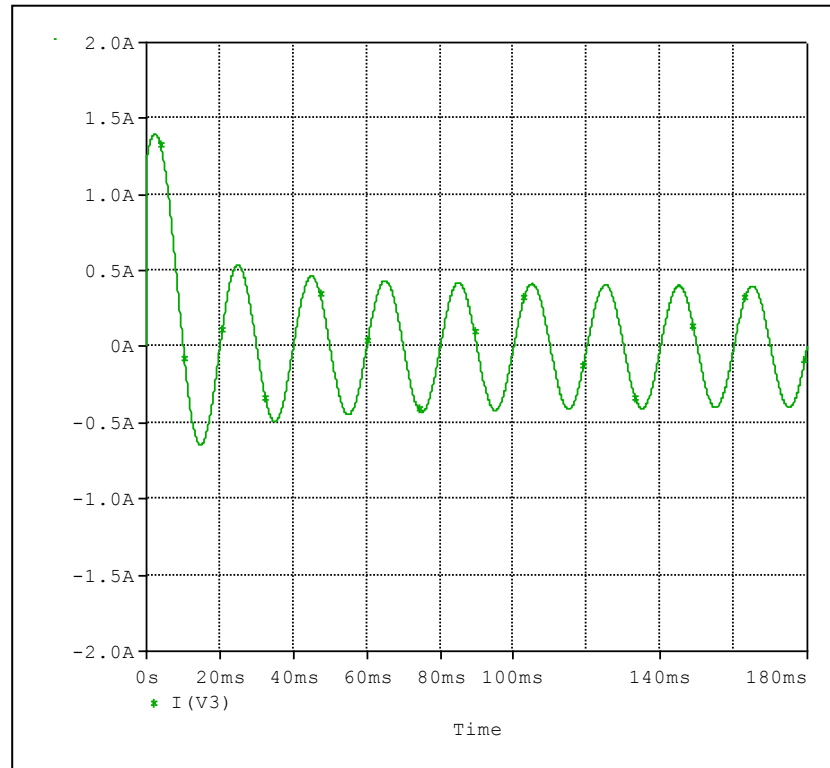
COMPONENTS: Halogen Lamp
PART NUMBER: 64472BT SIL
MANUFACTURER: OSRAM GmbH



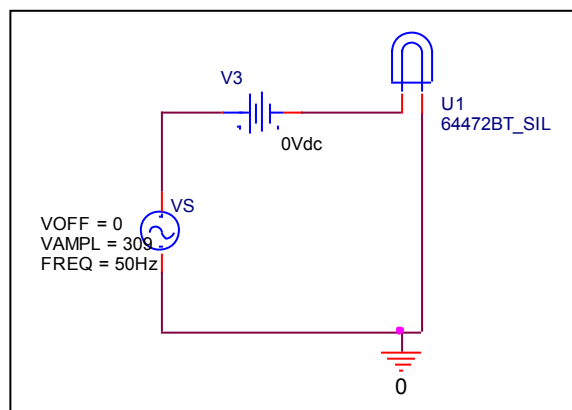
Bee Technologies Inc.

Transient Current Characteristics

Circuit simulation result



Evaluation circuit



Transient Current Characteristics

Reference

