

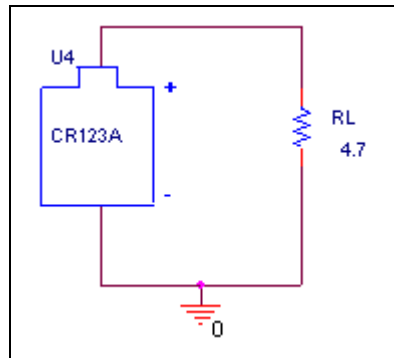
Device Modeling Report

COMPONENTS: Lithium
PART NUMBER: CR123A
MANUFACTURER: FUJI FILMS
Remark: RL= 4.7 (Ω)

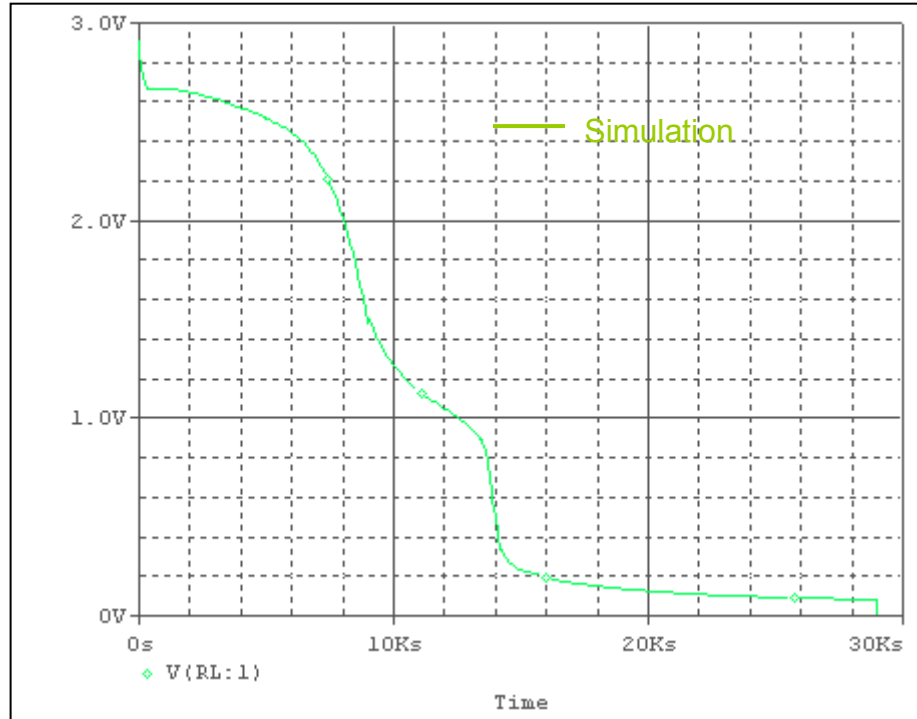


Bee Technologies Inc.

Evaluation circuit



Simulation result



Comparison Table

Time(ksec)	Vdc(V)Measurement	Vdc(V)Simulation	%Error
0.01	2.88553	2.88130	-0.14659
0.10	2.75115	2.75460	0.12540
0.20	2.70121	2.69920	-0.07441
0.30	2.67011	2.66930	-0.03034
0.90	2.66455	2.66920	0.17451
1.50	2.66338	2.66070	-0.10062
1.60	2.66140	2.65880	-0.09769
1.80	2.65606	2.65440	-0.06250
2.00	2.64986	2.64930	-0.02113
2.20	2.64309	2.64220	-0.03367
2.40	2.63682	2.63590	-0.03489
2.60	2.62952	2.62910	-0.01597
2.90	2.62093	2.62190	0.03701
3.00	2.61246	2.61420	0.06660
3.20	2.60411	2.60410	-0.00038
3.40	2.59568	2.59570	0.00077
3.60	2.58740	2.58700	-0.01546
3.80	2.57910	2.57810	-0.03877
4.00	2.57036	2.56890	-0.05680
4.20	2.56047	2.55730	-0.12381
4.40	2.55048	2.54790	-0.10116
4.60	2.54005	2.53840	-0.06496
4.80	2.52909	2.52880	-0.01147
5.00	2.51753	2.51770	-0.00675
5.20	2.50451	2.49930	0.20802
5.40	2.49095	2.48670	0.17062
5.60	2.47543	2.47370	0.06989
5.80	2.45776	2.45960	-0.07486
6.00	2.43889	2.44380	-0.20132
6.20	2.41817	2.42570	-0.31139
6.40	2.39543	2.39870	-0.13651
6.60	2.37075	2.37330	-0.10756
6.80	2.34264	2.34320	-0.02390
7.00	2.30993	2.30810	0.07922
7.20	2.27227	2.26390	0.36835
7.40	2.22729	2.20840	0.84812
7.60	2.17274	2.15220	0.94535
7.80	2.10659	2.08970	0.80177
8.00	2.02471	2.01060	0.69689
8.20	1.92509	1.93140	-0.32778
8.40	1.81311	1.83640	-1.28453
8.60	1.70044	1.72560	-1.47962

8.80	1.59891	1.60690	-0.49972
9.00	1.51421	1.49600	1.20261
9.20	1.44418	1.44060	0.24789
9.40	1.38884	1.39310	-0.30673
9.60	1.34390	1.34440	-0.03721
9.80	1.30674	1.30510	0.12550
10.00	1.27410	1.26960	0.35319
10.20	1.24219	1.23060	0.93303
10.40	1.21290	1.20290	0.82447
10.60	1.18597	1.17810	0.66359
10.80	1.16094	1.15560	0.45997
11.00	1.13120	1.13540	-0.37129
11.20	1.11288	1.11240	0.04313
11.40	1.09630	1.09540	0.08209
11.60	1.07890	1.07920	-0.02781
11.80	1.06238	1.06350	-0.10542
12.00	1.04700	1.04790	-0.08596
12.20	1.03130	1.02790	0.32968
12.40	1.01553	1.01100	0.44607
12.60	0.99794	0.99300	0.49502
12.80	0.97873	0.97340	0.54458
13.00	0.95648	0.95180	0.48929
13.20	0.92903	0.92150	0.81052
13.40	0.89428	0.89440	-0.01342
13.60	0.84360	0.83900	0.54528
13.80	0.68328	0.68070	0.37759
14.00	0.48628	0.49860	-2.53352
14.20	0.33515	0.34030	-1.53663
14.40	0.28849	0.29320	-1.63264
14.60	0.25541	0.26450	-3.55898
14.80	0.23806	0.24430	-2.62119
15.00	0.22506	0.23140	-2.81703
15.50	0.20341	0.21503	-5.71260
16.00	0.18743	0.19148	-2.16081
16.50	0.17649	0.17526	0.69692
17.00	0.16602	0.16644	-0.25298
17.50	0.15453	0.15753	-1.94137
18.00	0.15023	0.15009	0.09319
18.50	0.14245	0.14261	-0.11232
19.00	0.13556	0.13641	-0.62703
19.50	0.13032	0.13020	0.09208
20.00	0.12592	0.12510	0.65121
20.50	0.12066	0.12002	0.53042
21.00	0.11643	0.11585	0.49815
21.50	0.11244	0.11174	0.62255

22.00	0.10885	0.10838	0.43179
22.50	0.10526	0.10507	0.18051
23.00	0.10301	0.10237	0.62130
23.50	0.09944	0.09971	-0.27152
24.00	0.09800	0.09752	0.48980
24.50	0.09555	0.09530	0.26164
25.00	0.09326	0.09354	-0.30024
25.50	0.09082	0.09170	-0.96895
26.00	0.09142	0.09012	1.42201
26.50	0.08737	0.08840	-1.17889
27.00	0.08529	0.08690	-1.88768
27.50	0.08542	0.08530	0.14048
28.00	0.08321	0.08370	-0.58887
28.50	0.08178	0.08190	-0.14674
29.00	0.08164	0.07915	3.04998

Comparison Graph

