

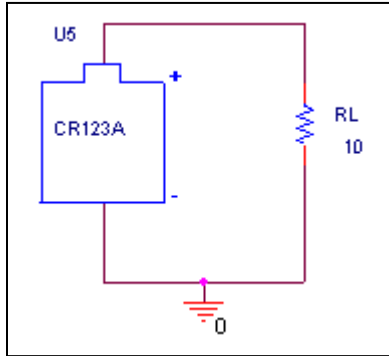
Device Modeling Report

COMPONENTS: Lithium
PART NUMBER: CR123A
MANUFACTURER: FUJI FILMS
Remark: RL=10(Ω)

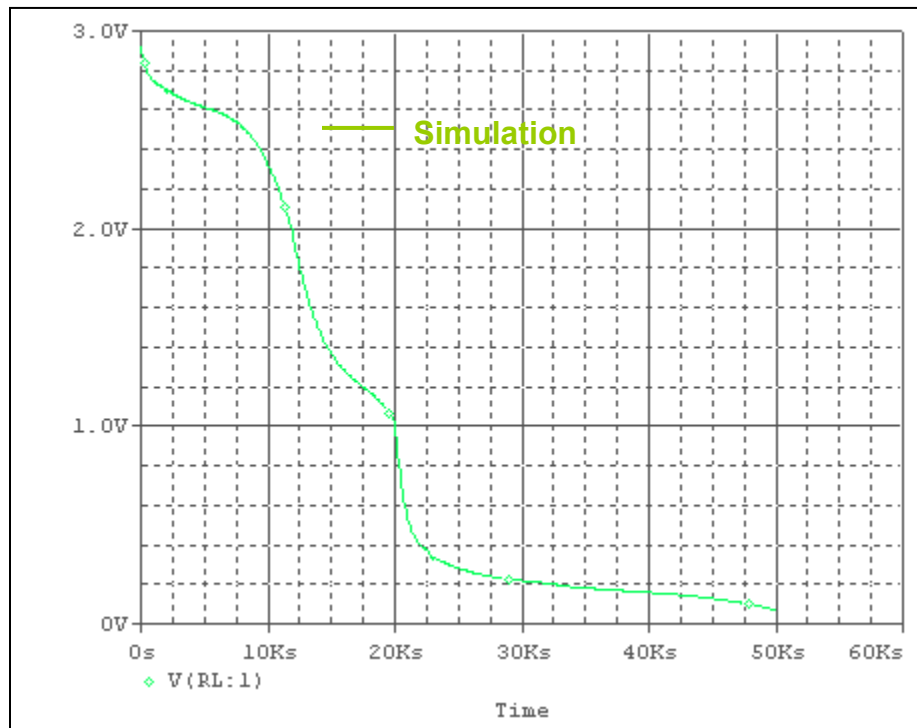


Bee Technologies Inc.

Evaluation circuit



Simulation result



Comparison Table

Time(ksec)	Vdc(V)Measurement	Vdc(V)Simulation	%Error
0	2.93159	2.9204	-0.38170
0.2	2.84357	2.8575	0.48988
0.4	2.80941	2.8100	0.02100
0.6	2.78617	2.7784	-0.27888
0.8	2.76707	2.7546	-0.45066
1	2.75042	2.7419	-0.30977
1.2	2.73608	2.7329	-0.11622
1.4	2.72321	2.7254	0.08042
1.6	2.71216	2.7171	0.18214
1.8	2.70278	2.7059	0.11544
2	2.69500	2.7107	0.58256
2.5	2.68028	2.6818	0.05671
3	2.67072	2.6630	-0.28906
3.5	2.66372	2.6477	-0.60141
4	2.65228	2.6352	-0.64397
4.5	2.63974	2.6246	-0.57354
5	2.60677	2.6128	0.23132
5.5	2.59632	2.6290	1.25870
6	2.58450	2.5918	0.28245
6.5	2.57008	2.5757	0.21867
7	2.55181	2.5589	0.27784
7.5	2.53056	2.5381	0.29796
8	2.50543	2.5121	0.26622
8.5	2.47368	2.4732	0.01940
9	2.43727	2.4330	0.17520
9.5	2.39238	2.3851	0.30430
10	2.33962	2.3272	0.53086
10.5	2.27175	2.2559	0.69770
11	2.19033	2.1671	1.06057
11.5	2.08283	2.0739	0.42874
12	1.94895	1.9552	-0.32069
12.5	1.81116	1.8048	0.35116
13	1.68376	1.6781	0.33615
13.5	1.57915	1.5752	0.25013
14	1.49381	1.4881	0.38224
14.5	1.41657	1.4169	-0.02330
15	1.37008	1.3613	0.64084
15.5	1.32043	1.3180	0.18403
16	1.28368	1.2827	0.07634
16.5	1.25332	1.2477	0.44841

17	1.22356	1.2224	0.09481
17.5	1.19686	1.1985	-0.13703
18	1.17089	1.1741	-0.27415
18.5	1.14478	1.1413	0.30399
19	1.11502	1.1087	0.56681
19.5	1.07912	1.0686	0.97487
20	1.01437	1.0023	1.18990
20.5	0.71945	0.7120	1.03551
21	0.54359	0.5300	2.50005
21.5	0.46507	0.4430	4.74552
22	0.41351	0.3980	3.75082
22.5	0.37270	0.3656	1.90502
23	0.34345	0.3403	0.91716
23.5	0.32058	0.3208	-0.06863
24	0.30350	0.3065	-0.98847
24.5	0.28982	0.2912	-0.47616
25	0.27948	0.2800	-0.18606
25.5	0.26980	0.2700	-0.07413
26	0.26285	0.2613	0.58969
27	0.24792	0.2455	0.97612
28	0.23717	0.2346	1.08361
29	0.22727	0.2252	0.91081
30	0.21922	0.2183	0.41967
31	0.20969	0.2111	-0.67242
32	0.20151	0.2043	-1.38455
33	0.19412	0.1952	-0.55636
34	0.18717	0.1848	1.26623
35	0.18136	0.1807	0.36392
36	0.17548	0.1760	-0.29633
37	0.17016	0.1713	-0.66996
38	0.16617	0.1671	-0.55967
39	0.16204	0.1625	-0.28388
40	0.15794	0.1582	-0.16462
41	0.15419	0.1532	0.64206
42	0.14980	0.1481	1.13485
43	0.14385	0.1419	1.35558
44	0.13615	0.1354	0.55086
45	0.12664	0.1273	-0.52116
46	0.11734	0.1188	-1.24425
47	0.10858	0.1081	0.44207
48	0.09591	0.0969	-1.03222
49	0.08200	0.0829	-1.09756
50	0.07042	0.0702	0.31241

Comparison Graph

