

Device Modeling Report

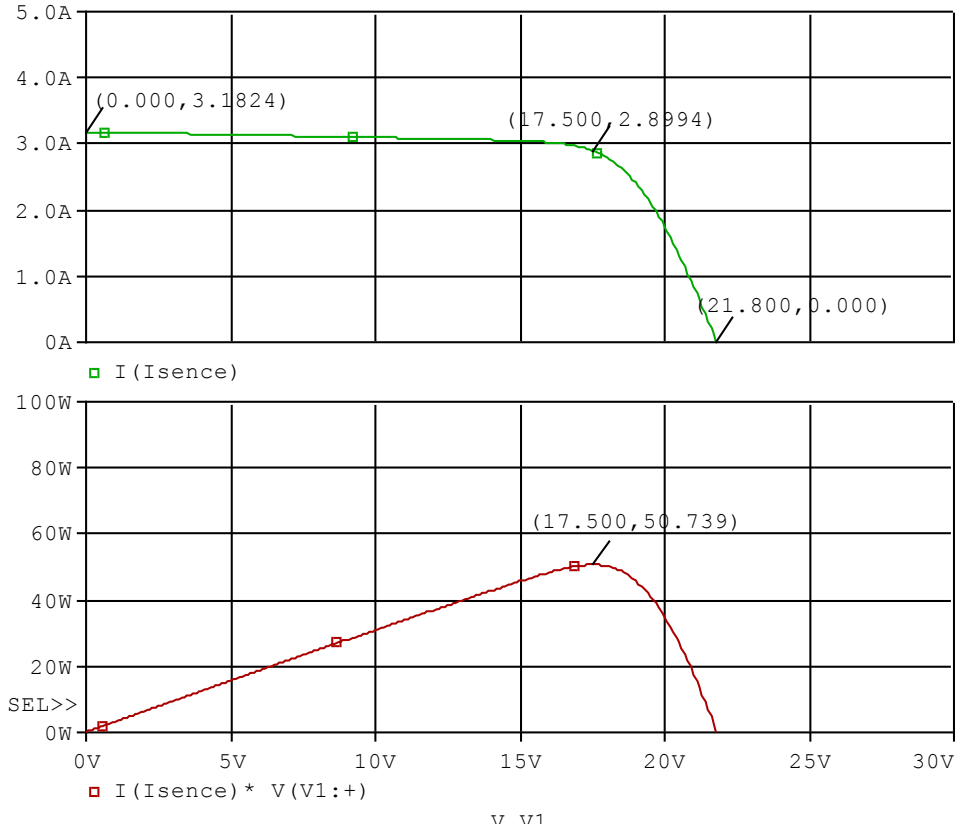
COMPONENTS: Solar Cell
PART NUMBER: BP 350
MANUFACTURER: bp Solar
REMARK: Rated power (Pmax) 50W



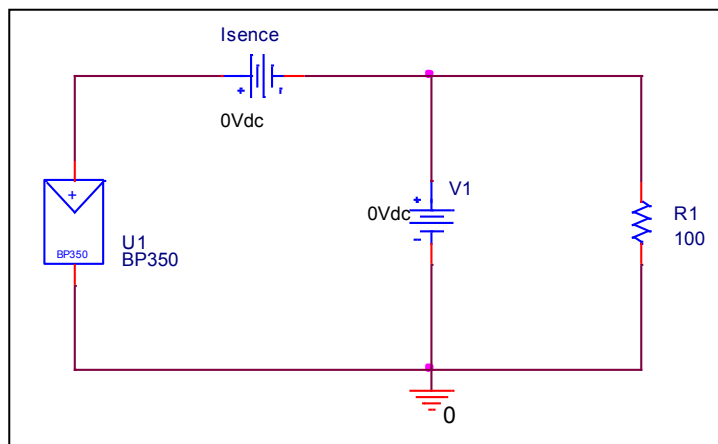
Bee Technologies Inc.

Output Characteristic

Circuit Simulation Result



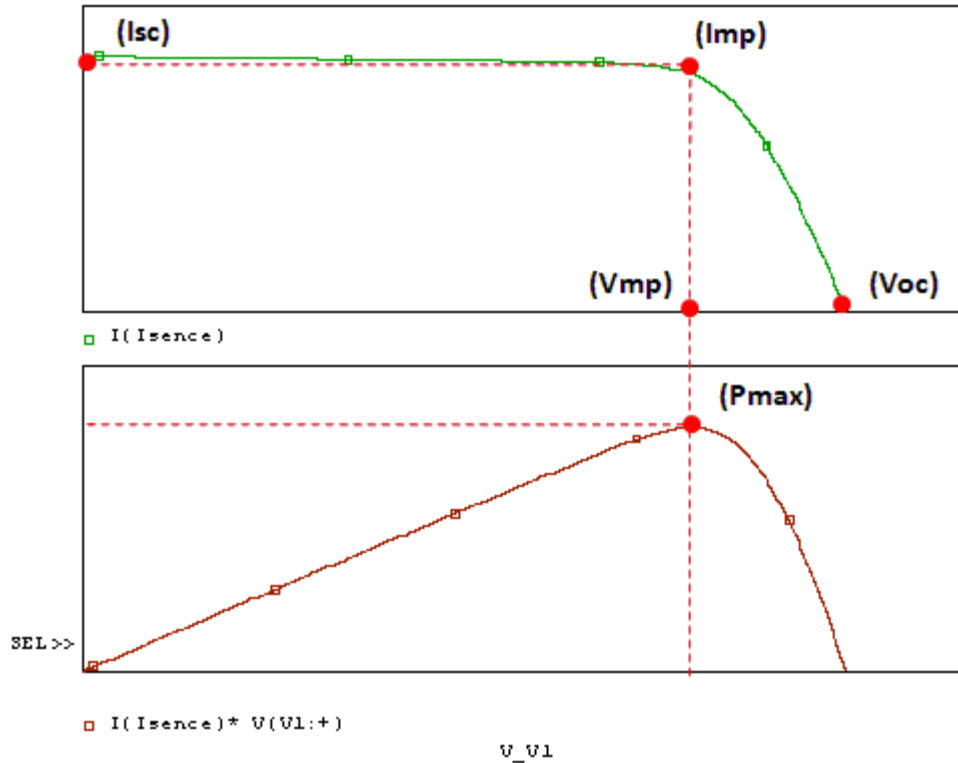
Simulation Circuit



Output Characteristic

Reference

Circuit Simulation Result



Data Table

Symbol	Measurement	Simulation	%Error
Isc	3.2000	3.1824	-0.550
Voc	21.8000	21.8000	0.000
Imp	2.9000	2.8994	-0.021
Vmp	17.5000	17.5000	0.000
Pmax(Imp*Vmp)	50.7500	50.7390	-0.022

Data Information

No. BP 350	
Maximum power (Pmax)³	50.0W
Voltage at Pmax (Vmp)	17.5V
Current at Pmax (Imp)	2.9A
Short-circuit current (Isc)	3.2A
Open-circuit voltage (Voc)	21.8V