

# Device Modeling Report

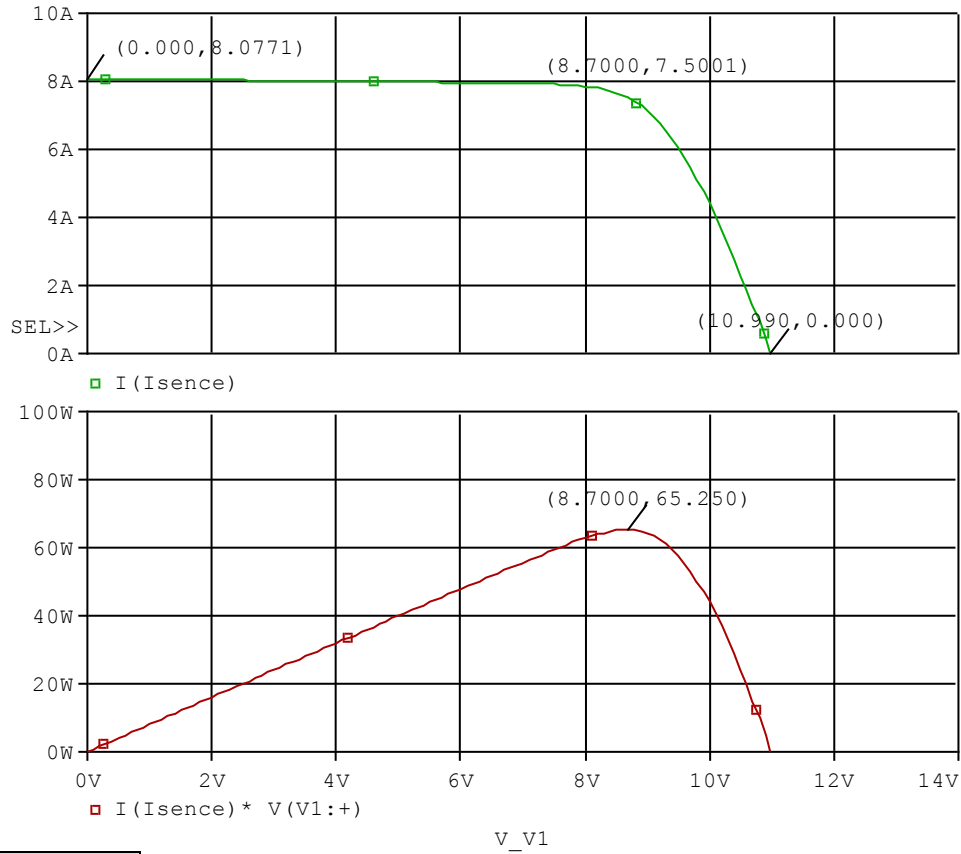
COMPONENTS: Solar Cell  
PART NUMBER: BP 365TS  
MANUFACTURER: bp Solar  
REMARK: Rated power (Pmax) 65W



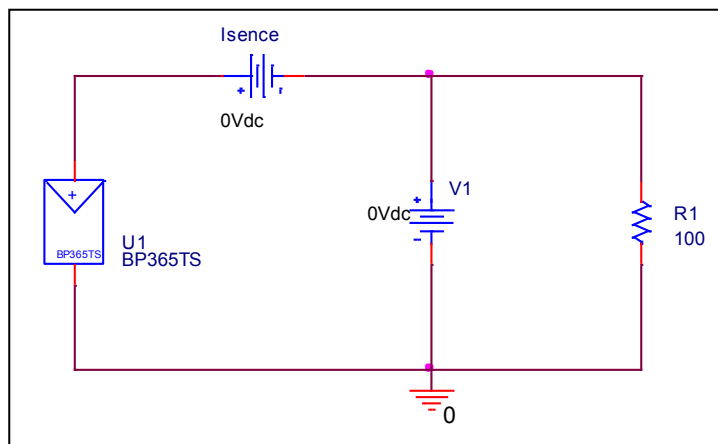
**Bee Technologies Inc.**

# Output Characteristic

## Circuit Simulation Result



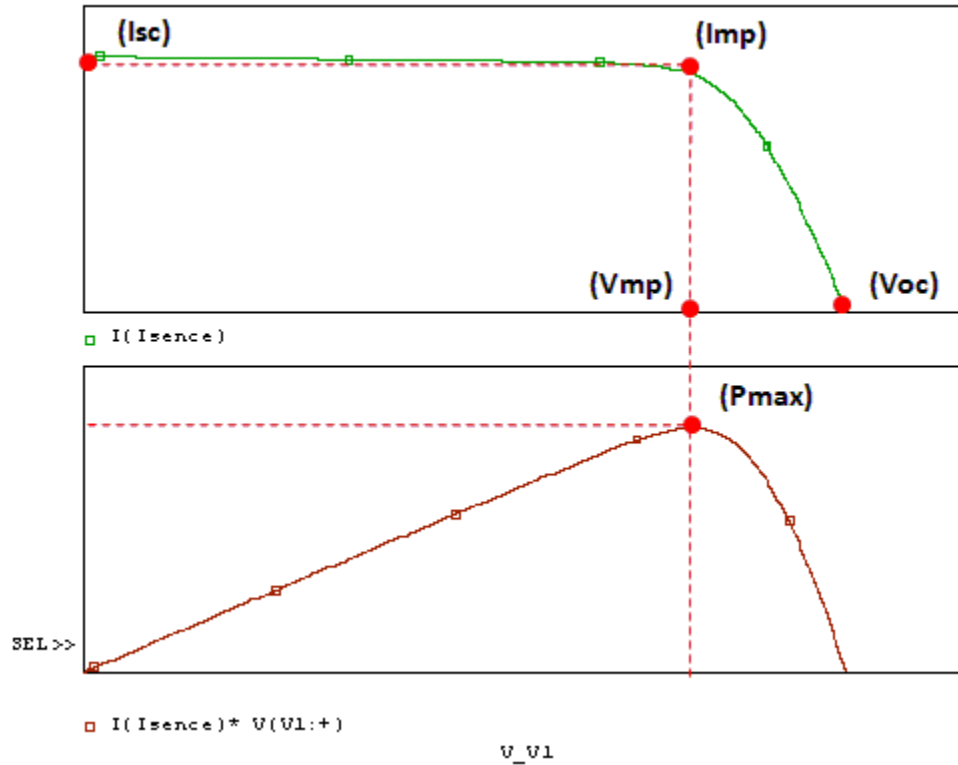
## Simulation Circuit



## Output Characteristic

## Reference

### Circuit Simulation Result



### Data Table

Symbol	Measurement	Simulation	%Error
Isc	8.1000	8.0771	-0.283
Voc	11.0000	10.9900	-0.091
Imp	7.5000	7.5001	0.001
Vmp	8.7000	8.7000	0.000
Pmax(Imp*Vmp)	65.2500	65.2500	0.000

## Data Information

---

<b>No. BP 365TS</b>	
<b>Maximum power (Pmax)<sup>3</sup></b>	<b>65W</b>
<b>Voltage at Pmax (Vmp)</b>	<b>8.7V</b>
<b>Current at Pmax (Imp)</b>	<b>7.5A</b>
<b>Short-circuit current (Isc)</b>	<b>8.1A</b>
<b>Open-circuit voltage (Voc)</b>	<b>11.0V</b>