

# Device Modeling Report

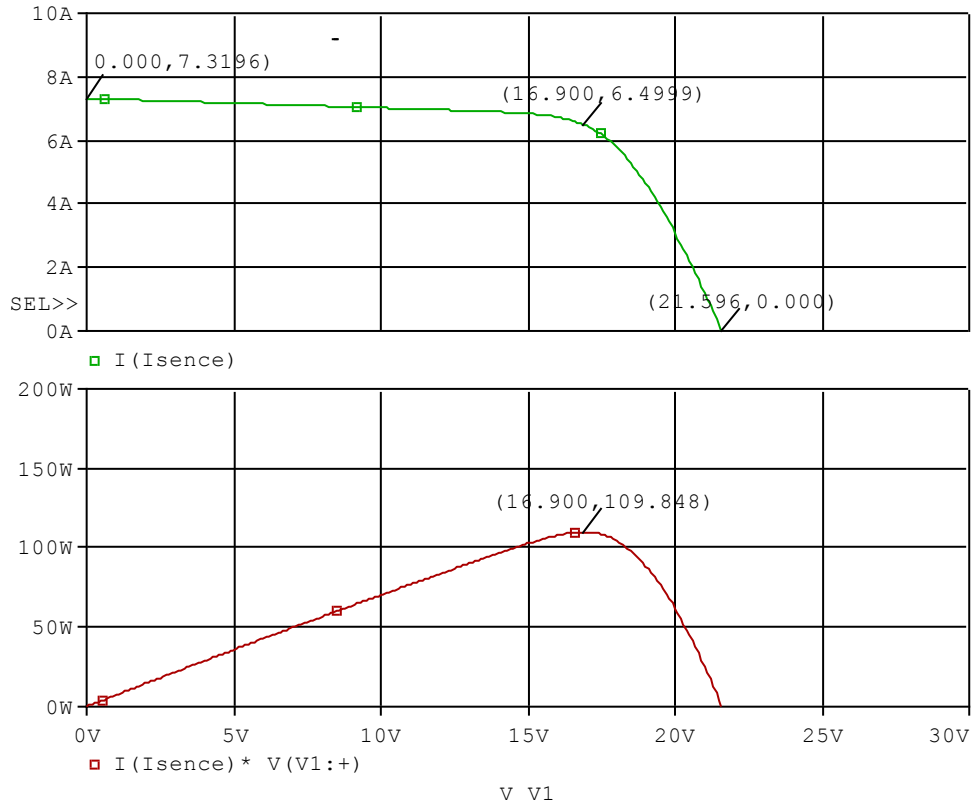
COMPONENTS: Solar Cell  
PART NUMBER: BP 3110  
MANUFACTURER: bp Solar  
REMARK: Rated power (Pmax) 110W



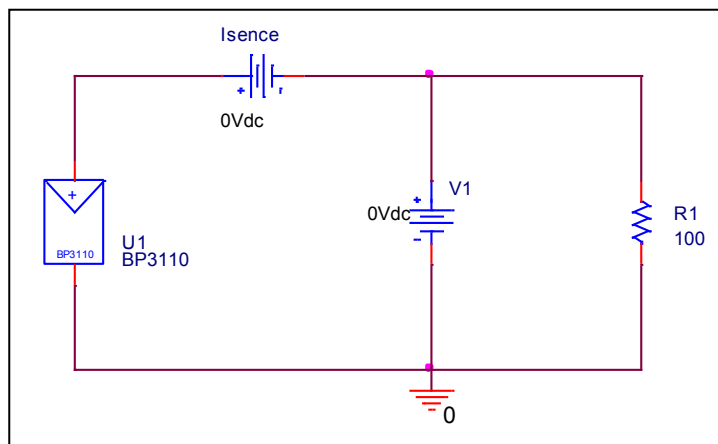
**Bee Technologies Inc.**

# Output Characteristic

## Circuit Simulation Result



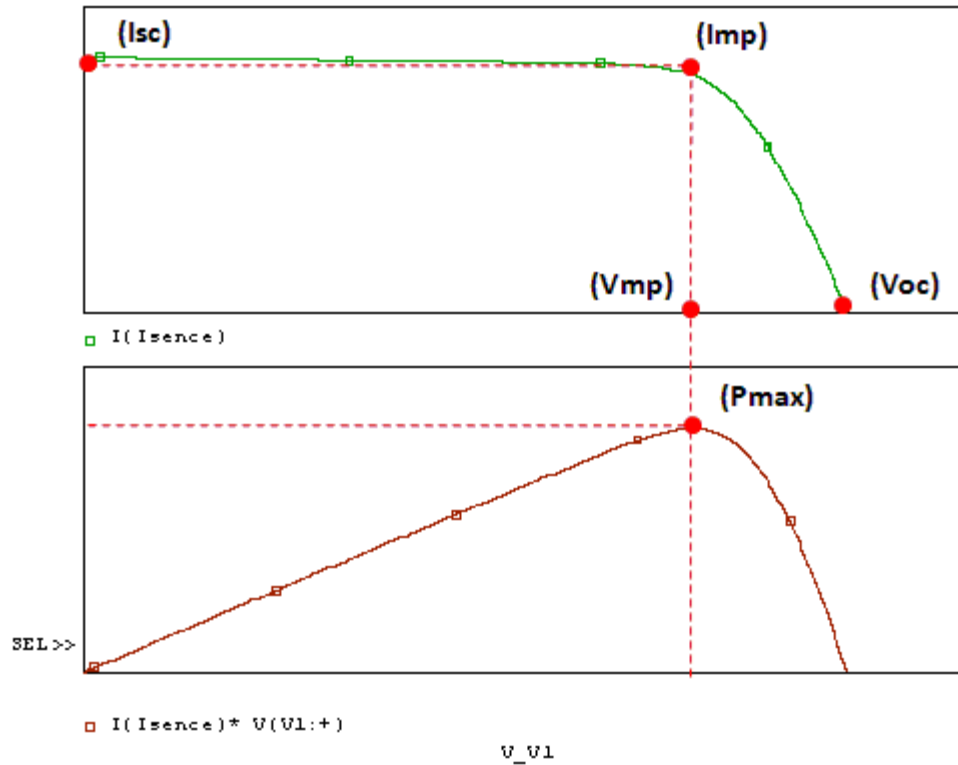
## Simulation Circuit



# Output Characteristic

# Reference

## Circuit Simulation Result



## Data Table

Symbol	Measurement	Simulation	%Error
Isc	7.4000	7.3196	-1.086
Voc	21.6000	21.5950	-0.023
Imp	6.5000	6.4999	-0.002
Vmp	16.9000	16.9000	0.000
Pmax(Imp*Vmp)	109.8500	109.8480	-0.002

## Data Information

---

<b>No. BP 3110</b>	
<b>Maximum power (Pmax)<sup>3</sup></b>	<b>110W</b>
<b>Voltage at Pmax (Vmp)</b>	<b>16.9V</b>
<b>Current at Pmax (Imp)</b>	<b>6.5A</b>
<b>Short-circuit current (Isc)</b>	<b>7.4A</b>
<b>Open-circuit voltage (Voc)</b>	<b>21.6V</b>