

# Device Modeling Report

COMPONENTS:MAGNETIC CORE  
PART NUMBER:2H06  
MANUFACTURER:FDK



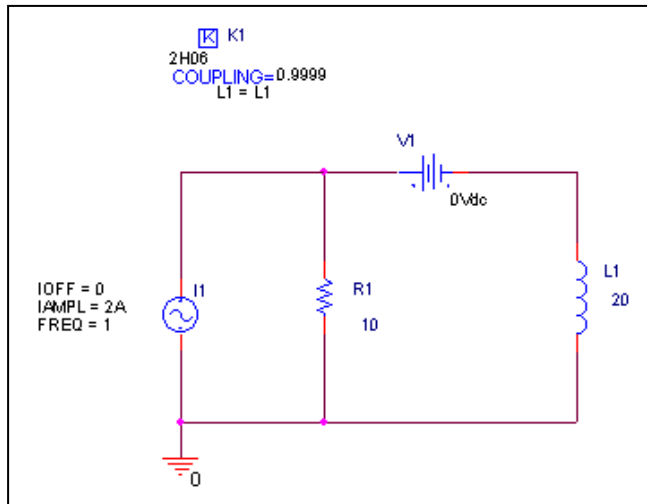
**Bee Technologies Inc.**

## MAGNETIC CORE

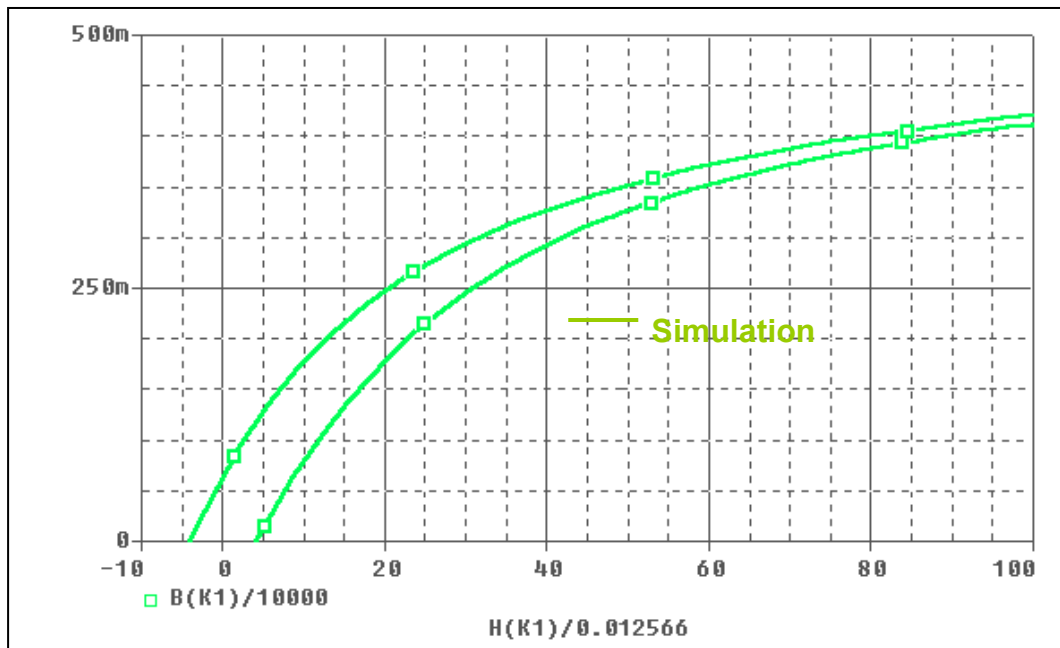
Pspice model parameter	Model description
A	thermal energy parameter
K	domain anisotropy parameter
C	domain flexing parameter
MS	magnetization saturation

# Hysteresis Curve Characteristics

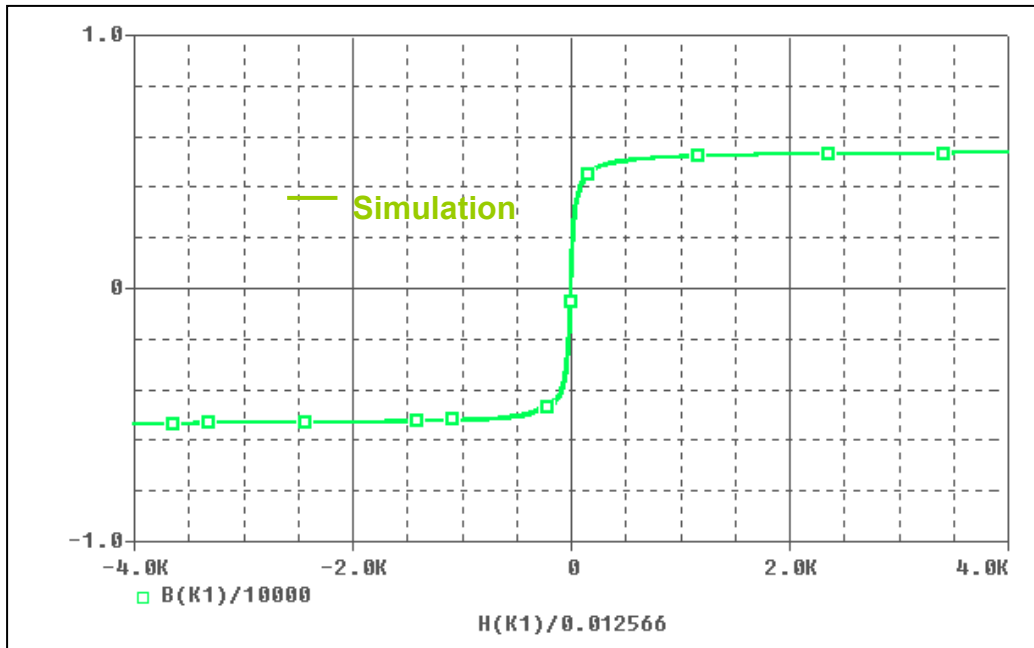
## Evaluation Circuit



## Simulation result



Simulation result



Comparison Table

H(A/m)	B(mT) Measurement	B(mT) Simulation	%Error
10	170	177.152	4.207
20	245	245.927	0.378
30	285	292.715	2.707
40	320	325.733	1.792
50	355	351.353	1.027
60	375	371.251	1.000
70	385	387.209	0.574
80	400	399.624	0.094
90	410	410.539	0.131
100	420	420.64	0.152
20	180	177.305	1.497
30	245	244.525	0.194
40	290	291.47	0.507
50	330	326.319	1.115
60	355	351.805	0.900
70	375	371.645	0.895
80	390	387.496	0.642
90	400	400.716	0.179
100	420	411.538	2.015