

Device Modeling Report

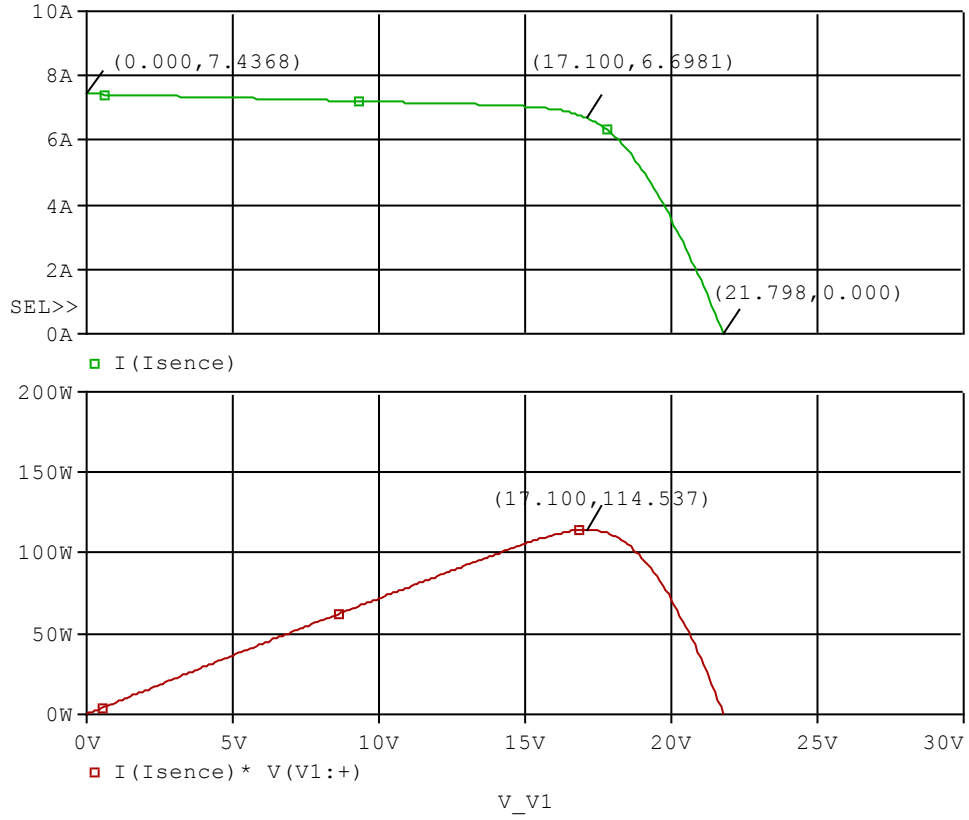
COMPONENTS: Solar Cell
PART NUMBER: BP 3115
MANUFACTURER: bp Solar
REMARK: Rated power (Pmax) 115W



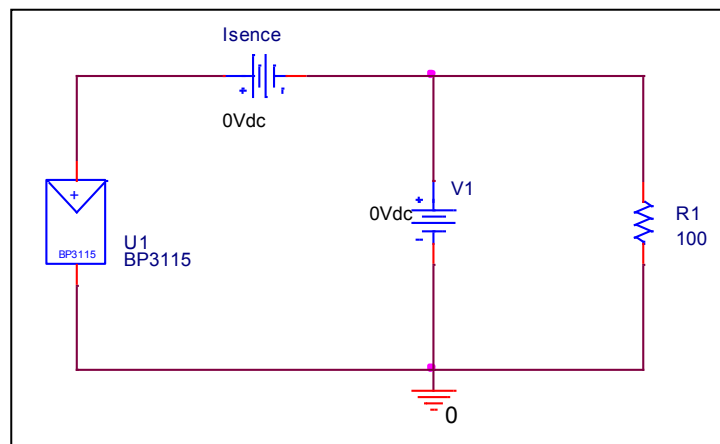
Bee Technologies Inc.

Output Characteristic

Circuit Simulation Result



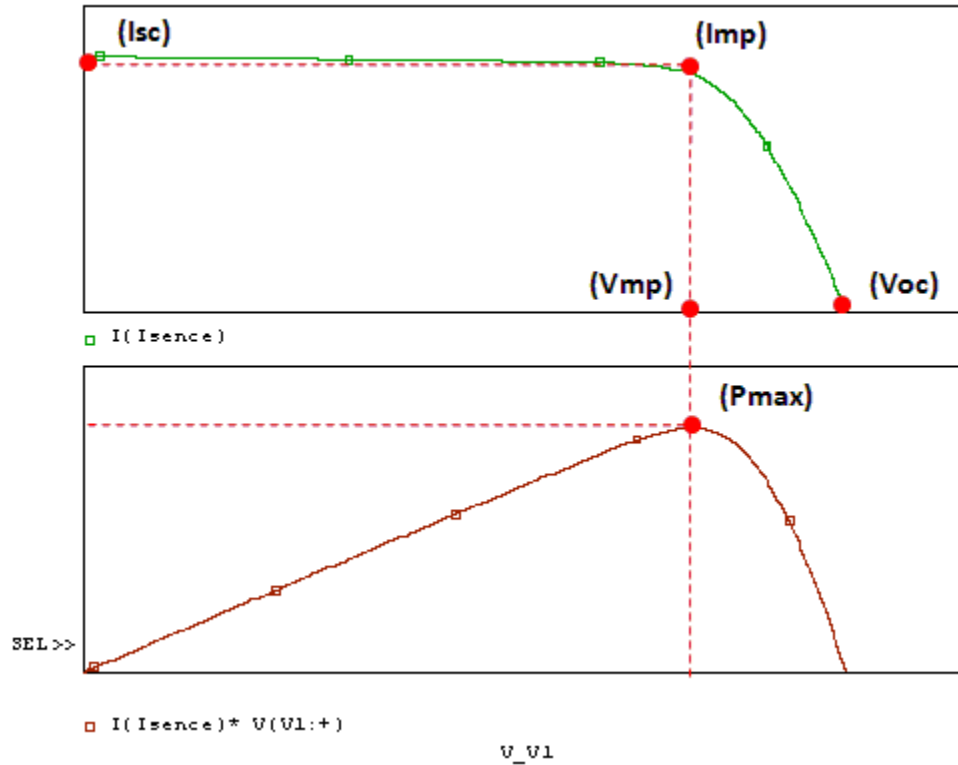
Simulation Circuit



Output Characteristic

Reference

Circuit Simulation Result



Data Table

Symbol	Measurement	Simulation	%Error
Isc	7.5000	7.4368	-0.843
Voc	21.8000	21.7980	-0.009
Imp	6.7000	6.6981	-0.028
Vmp	17.1000	17.1000	0.000
Pmax(Imp*Vmp)	114.5700	114.5370	-0.029

Data Information

No. BP 3115	
Maximum power (Pmax)³	115W
Voltage at Pmax (Vmp)	17.1V
Current at Pmax (Imp)	6.7A
Short-circuit current (Isc)	7.5A
Open-circuit voltage (Voc)	21.8V