

Device Modeling Report

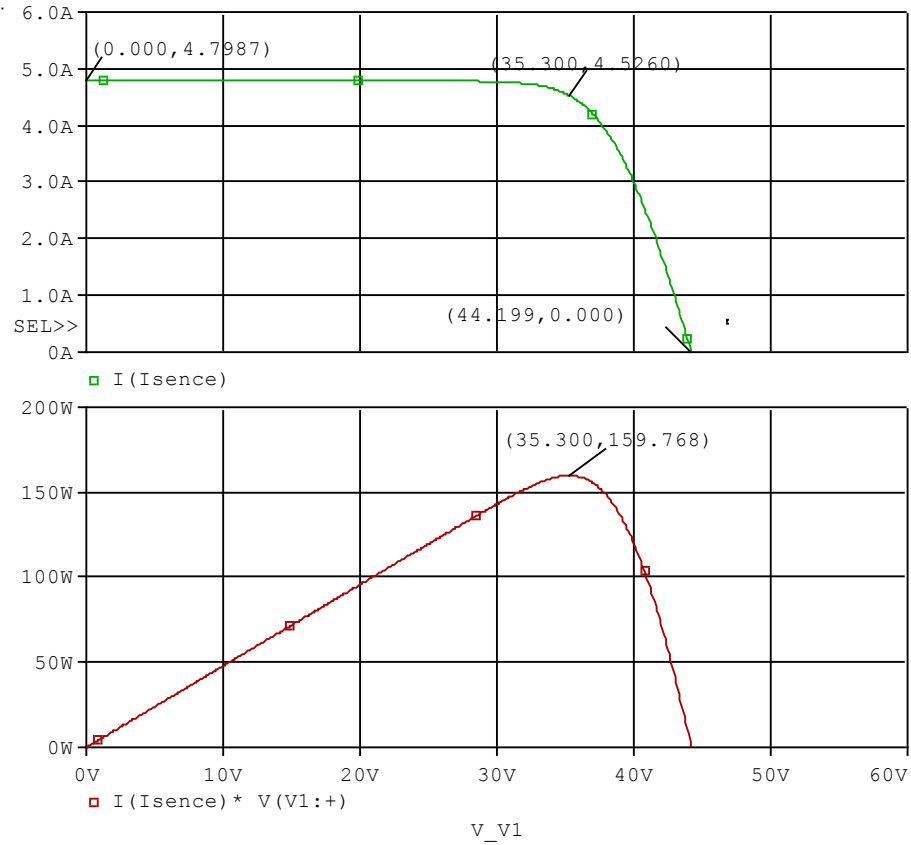
COMPONENTS: Solar Cell
PART NUMBER: BP 3160
MANUFACTURER: bp Solar
REMARK: Rated power (Pmax) 160W



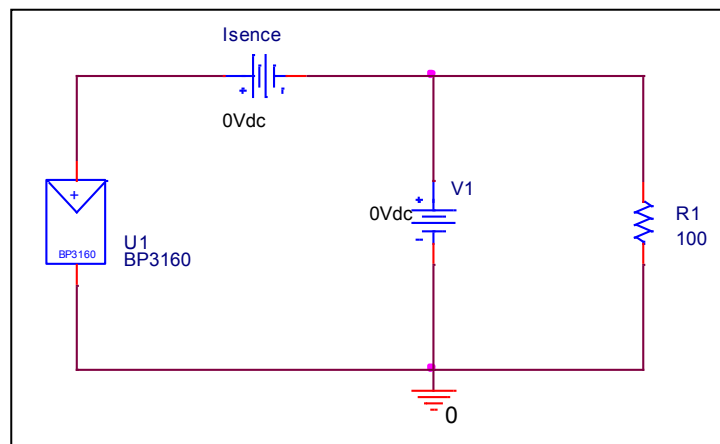
Bee Technologies Inc.

Output Characteristic

Circuit Simulation Result



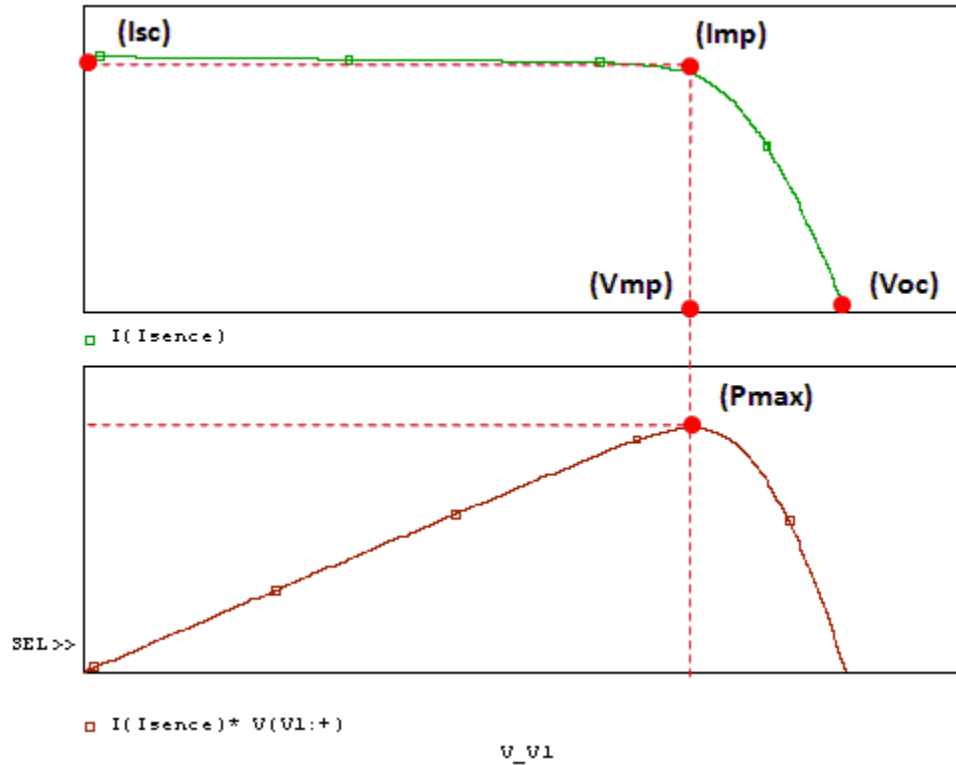
Simulation Circuit



Output Characteristic

Reference

Circuit Simulation Result



Data Table

Symbol	Measurement	Simulation	%Error
Isc	4.8000	4.7987	-0.027
Voc	44.2000	44.1990	-0.002
Imp	4.5500	4.5260	-0.527
Vmp	35.1000	35.3000	0.570
Pmax(Imp*Vmp)	159.7050	159.7680	0.039

Data Information

No. BP 3160	
Maximum power (Pmax)³	160W
Voltage at Pmax (Vmp)	35.1V
Current at Pmax (Imp)	4.55A
Short-circuit current (Isc)	4.8A
Open-circuit voltage (Voc)	44.2V