

Device Modeling Report

COMPONENTS:MAGNETIC CORE
PART NUMBER:2H15
MANUFACTURER:FDK



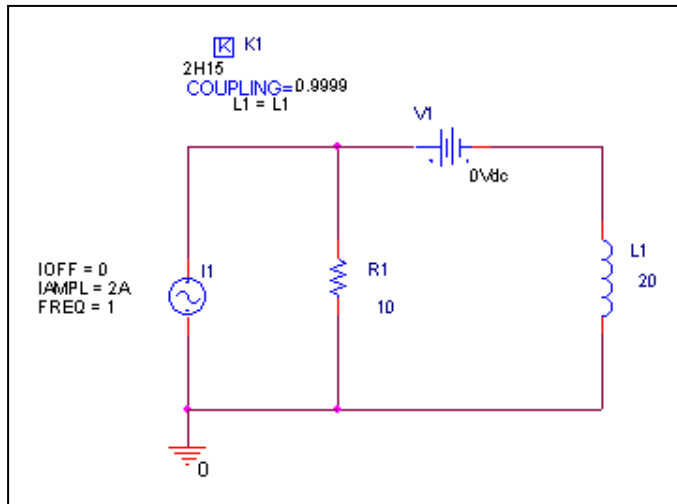
Bee Technologies Inc.

MAGNETIC CORE

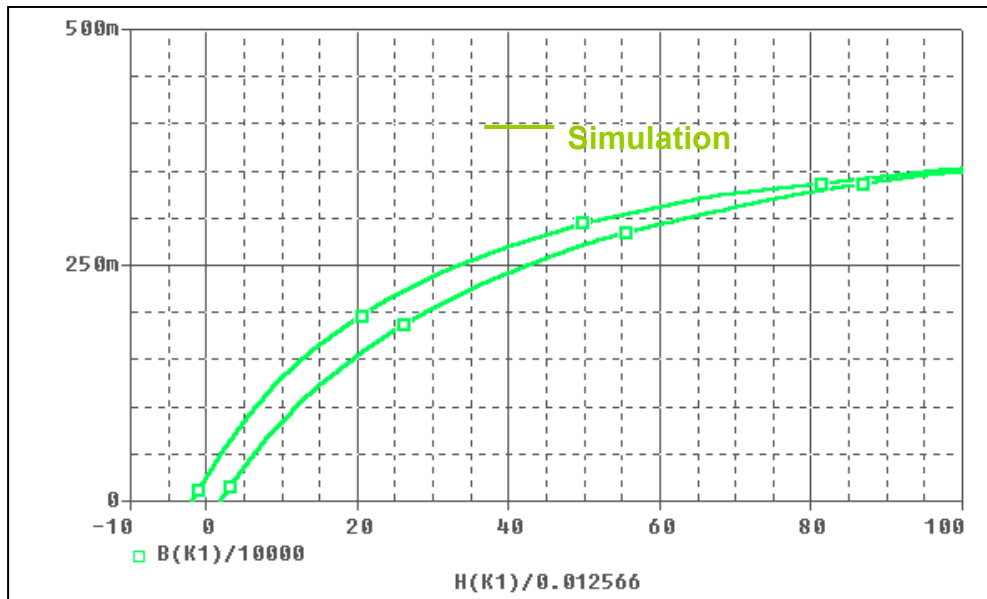
Pspice model parameter	Model description
A	thermal energy parameter
K	domain anisotropy parameter
C	domain flexing parameter
MS	magnetization saturation

Hysteresis Curve Characteristics

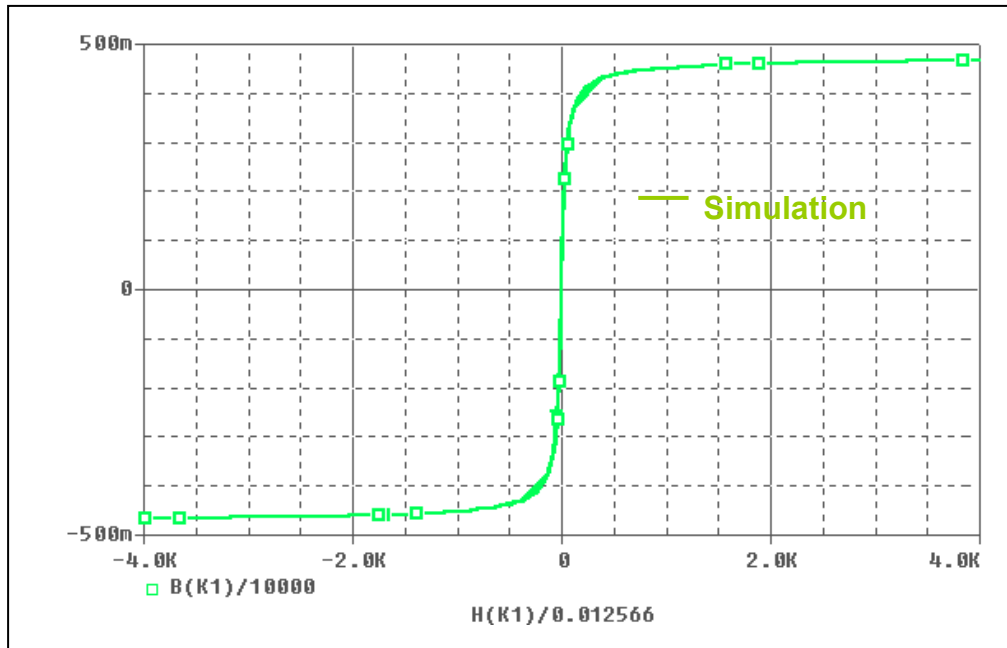
Evaluation Circuit



Simulation result



Simulation result



Comparison Table

H(A/m)	B(mT) Measurement	B(mT) Simulation	%Error
20	185	193.787	4.750
40	260	268.689	3.342
50	285	292.846	2.753
60	310	310.163	0.053
70	325	324.833	0.051
80	340	334.037	1.754
90	350	343.446	1.873
100	360	352.651	2.041
10	85	84.369	0.742
30	205	204.242	0.370
40	248	241.376	2.671
50	270	270.598	0.221
60	300	293.115	2.295
70	320	311.306	2.717
80	340	326.071	4.097
90	350	338.65	3.243
100	360	348.868	3.092