

Device Modeling Report

COMPONENTS:MAGNETIC CORE
PART NUMBER:6H20
MANUFACTURER:FDK



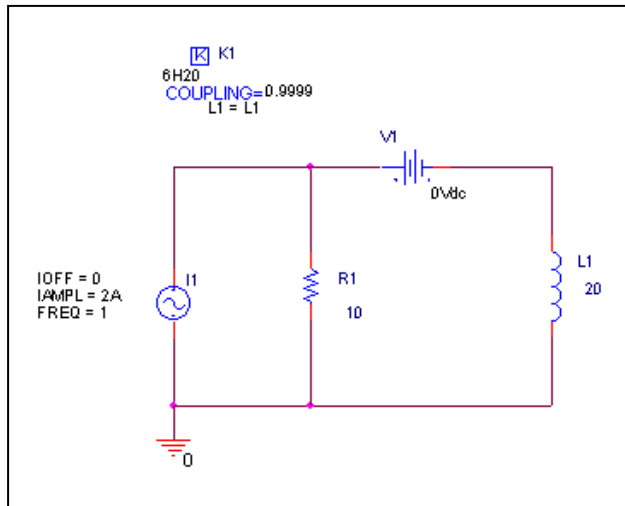
Bee Technologies Inc.

MAGNETIC CORE

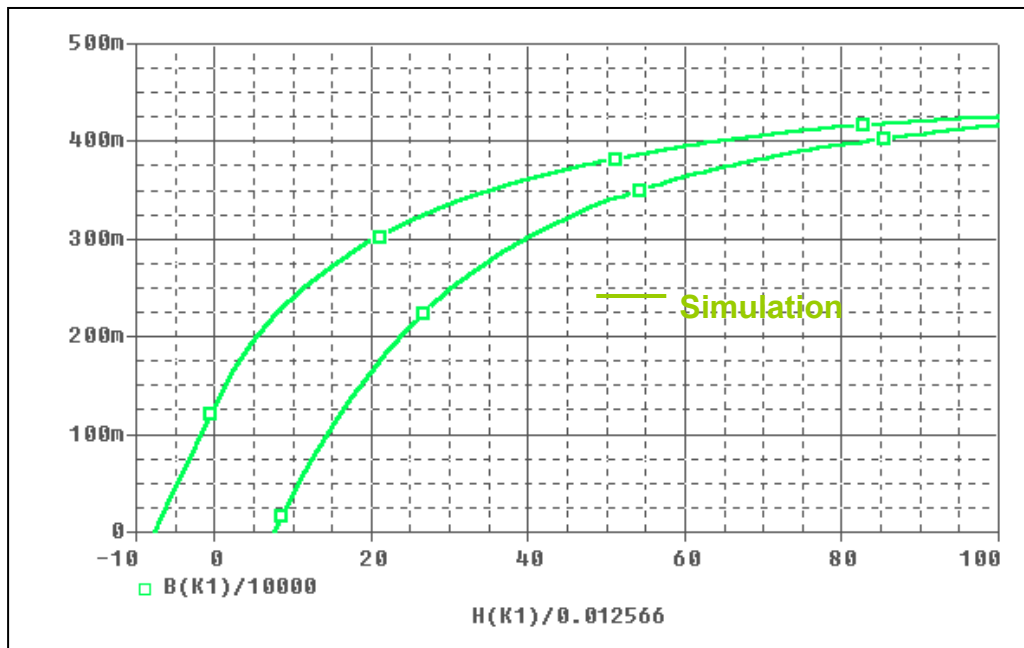
| Pspice model parameter | Model description |
|------------------------|-----------------------------|
| A | thermal energy parameter |
| K | domain anisotropy parameter |
| C | domain flexing parameter |
| MS | magnetization saturation |

Hysteresis Curve Characteristics

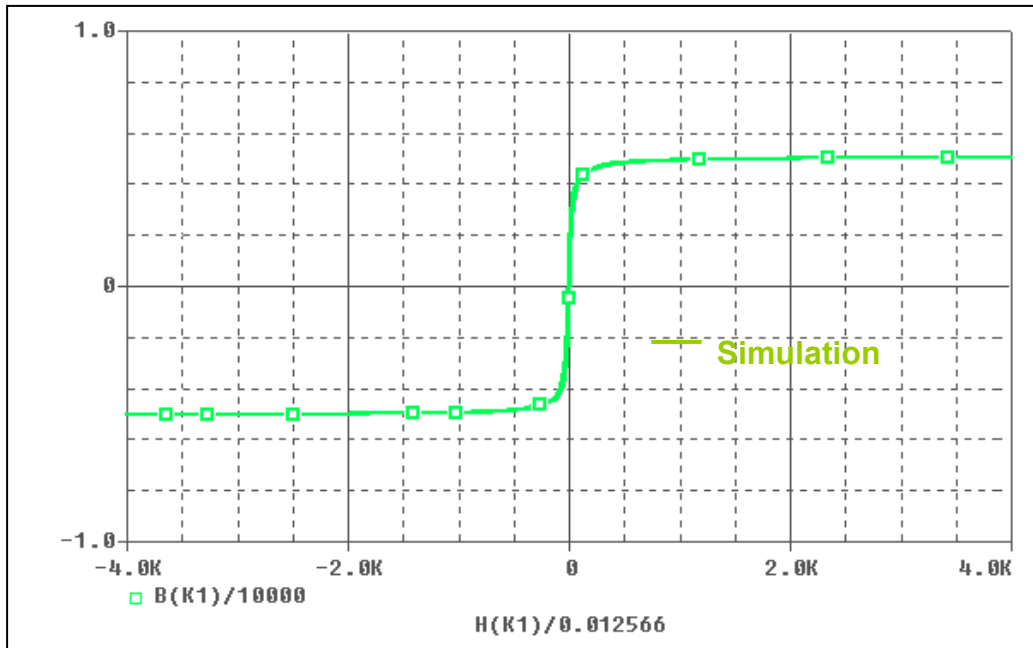
Evaluation Circuit



Simulation result



Simulation result



Comparison Table

All Rights Reserved Copyright (c) Bee Technologies Inc. 2004

Comparison Table

| H(A/m) | B(mT) Measurement | B(mT) Simulation | %Error |
|--------|----------------------|---------------------|--------|
| 0 | 120 | 125.887 | 4.906 |
| 20 | 295 | 298.361 | 1.139 |
| 30 | 325 | 335.523 | 3.238 |
| 40 | 360 | 360.826 | 0.229 |
| 50 | 392 | 379.797 | 3.113 |
| 60 | 405 | 394.019 | 2.711 |
| 70 | 410 | 404.921 | 1.239 |
| 80 | 415 | 414.043 | 0.231 |
| 90 | 420 | 420.202 | 0.048 |
| 100 | 420 | 426.228 | 1.483 |
| 20 | 170 | 163.121 | 4.046 |
| 30 | 240 | 247.408 | 3.087 |
| 40 | 300 | 301.212 | 0.404 |
| 50 | 350 | 338.546 | 3.273 |
| 60 | 375 | 363.737 | 3.003 |
| 70 | 395 | 382.125 | 3.259 |
| 80 | 400 | 396.039 | 0.990 |
| 90 | 418 | 407.388 | 2.539 |
| 100 | 420 | 416.279 | 0.886 |