

# Device Modeling Report

COMPONENTS:MAGNETIC CORE  
PART NUMBER:7H20  
MANUFACTURER:FDK



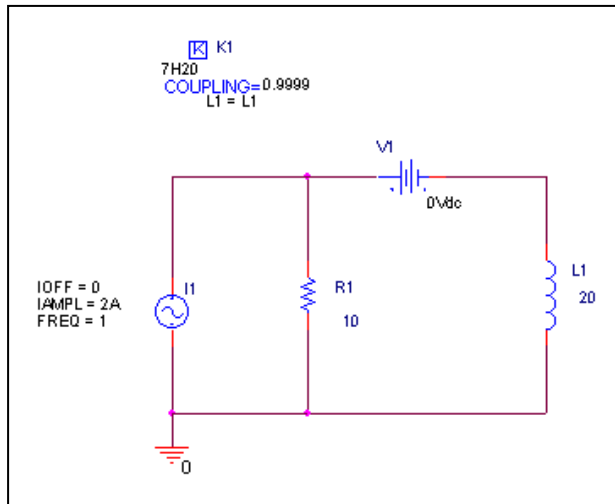
**Bee Technologies Inc.**

## MAGNETIC CORE

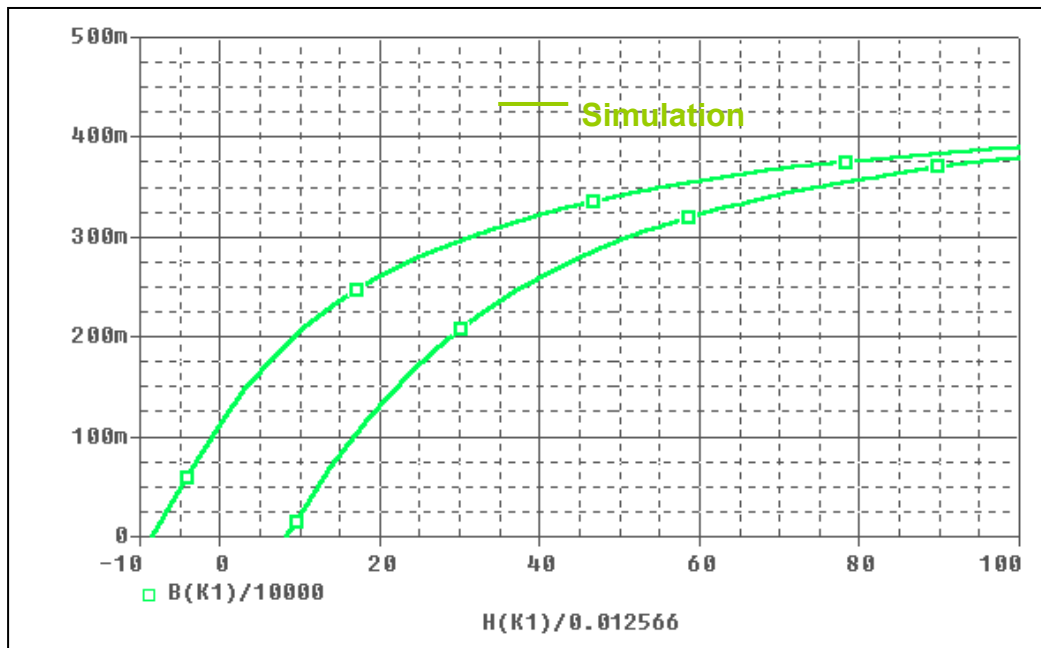
Pspice model parameter	Model description
A	thermal energy parameter
K	domain anisotropy parameter
C	domain flexing parameter
MS	magnetization saturation

# Hysteresis Curve Characteristics

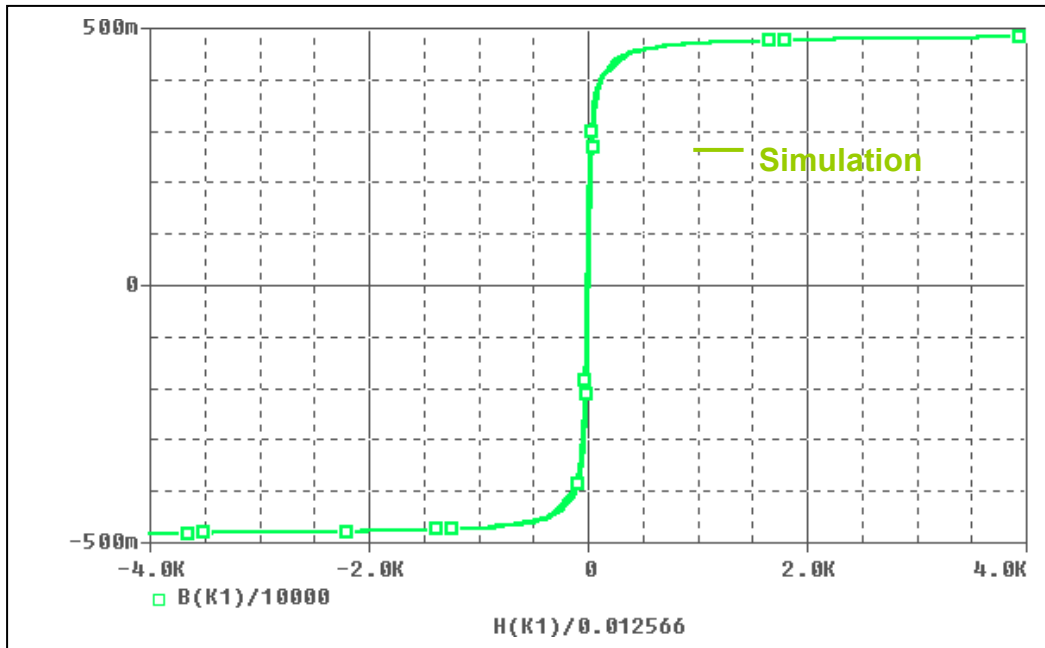
## Evaluation Circuit



## Simulation result



Simulation result



Comparison Table

H(A/m)	B(mT) Measurement	B(mT) Simulation	%Error
20	250	259.573	3.829
30	295	295.118	0.040
40	325	321.312	1.135
50	350	340.918	2.595
60	370	355.822	3.832
70	380	368.76	2.958
80	380	376.169	1.008
90	380	383.433	0.903
100	380	390.539	2.773
30	205	206.698	0.828
40	255	258.376	1.324
50	300	296.093	1.302
60	335	322.28	3.797
70	350	342.021	2.280
80	360	357.118	0.801
90	370	369.666	0.090
100	380	379.598	0.106