

# Device Modeling Report

COMPONENTS:MAGNETIC CORE  
PART NUMBER:2P40  
MANUFACTURER:FERROXCUBE



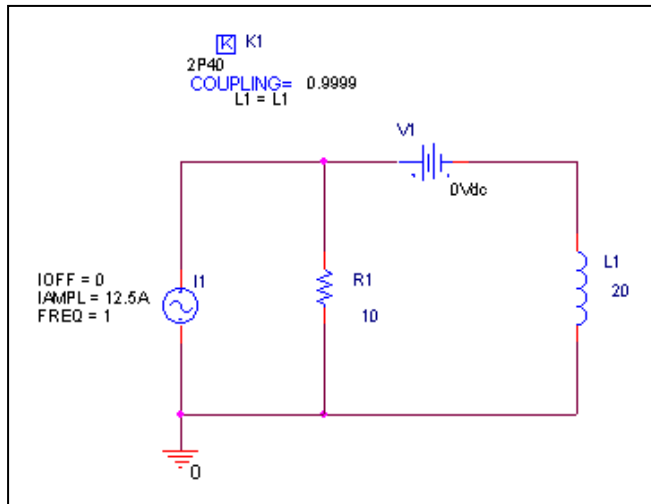
**Bee Technologies Inc.**

## MAGNETIC CORE

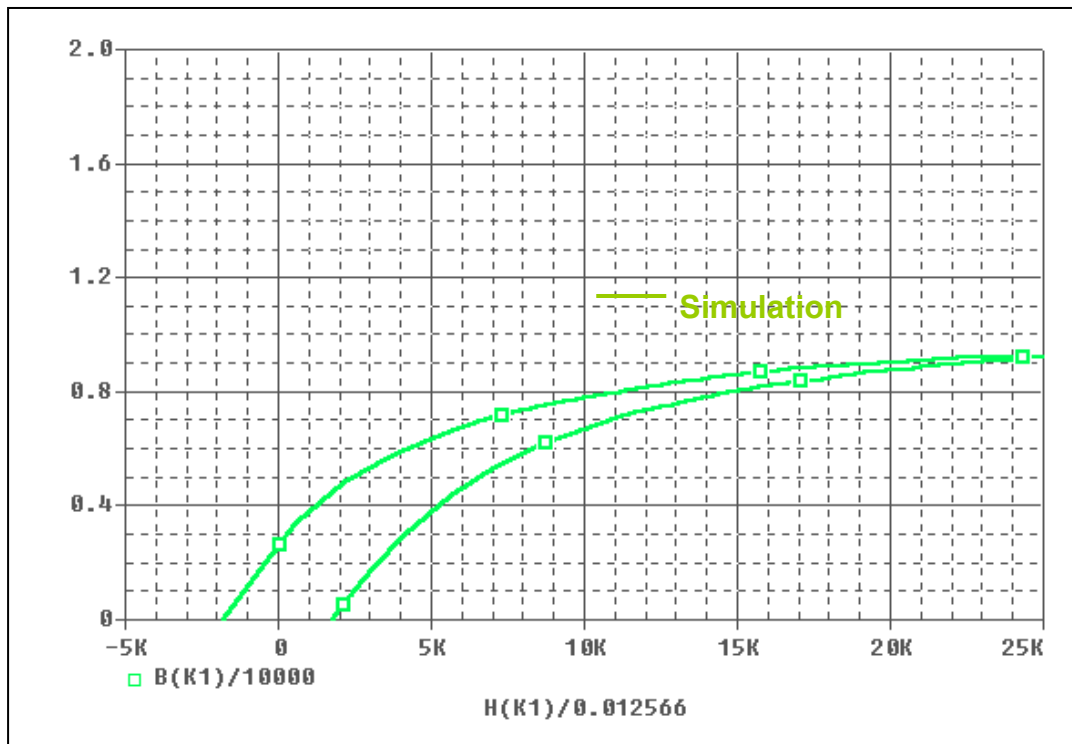
Pspice model parameter	Model description
A	thermal energy parameter
K	domain anisotropy parameter
C	domain flexing parameter
MS	magnetization saturation

# Hysteresis Curve Characteristics

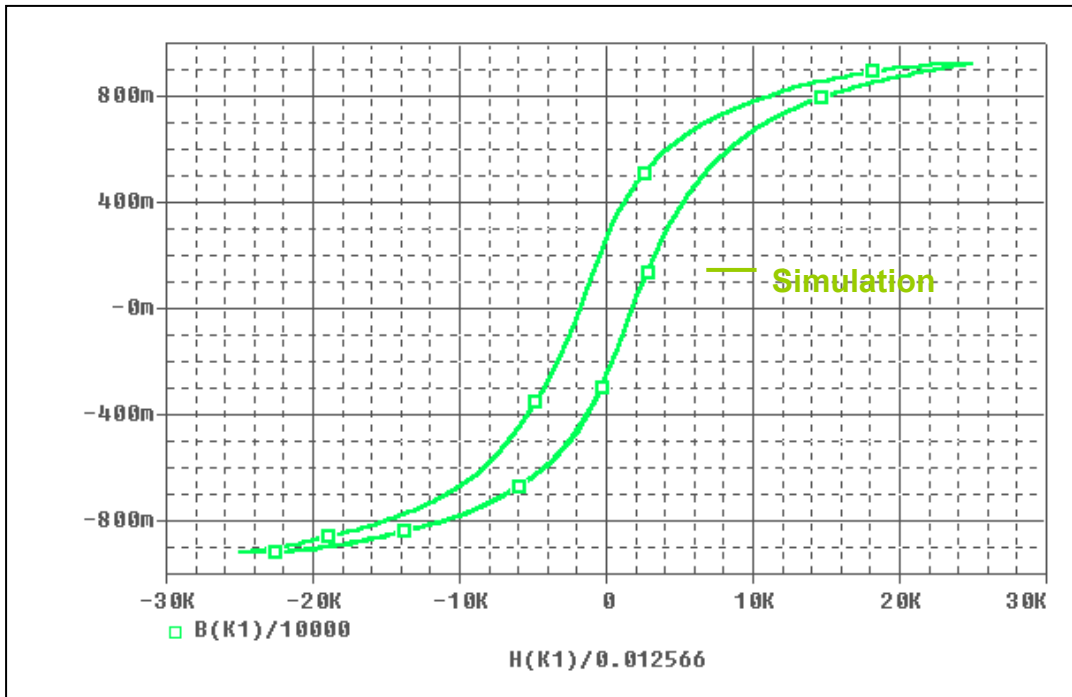
## Evaluation Circuit



## Simulation result



Simulation result



Comparison Table

H(A/m)	B(mT) Measurement	B(mT) Simulation	%Error
2500	500	501.923	0.385
5000	650	635.025	2.304
7500	700	719.444	2.778
10000	755	779.244	3.211
15000	875	857.794	1.966
17500	900	885.089	1.657
20000	920	905.878	1.535
22500	940	918.015	2.339
25000	950	922.017	2.946
5000	375	374.781	0.058
10000	650	669.318	2.972
12500	740	745.43	0.734
15000	760	800.224	5.293
17500	870	841.479	3.278
20000	900	873.864	2.904
22500	940	900.121	4.242
25000	950	922.076	2.939