

Device Modeling Report

COMPONENTS:MAGNETIC CORE
PART NUMBER:3B7
MANUFACTURER:FERROXCUBE



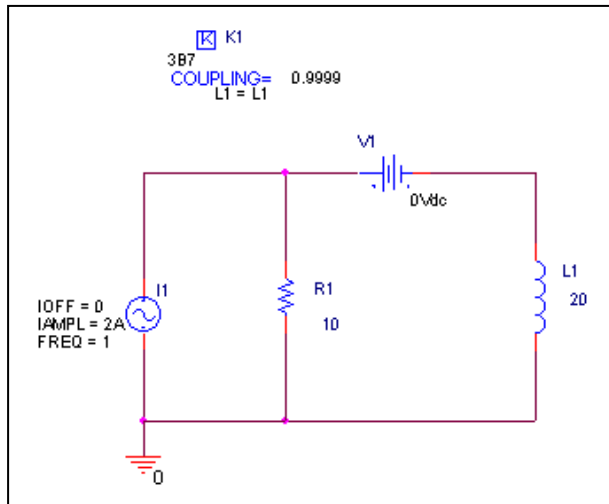
Bee Technologies Inc.

MAGNETIC CORE

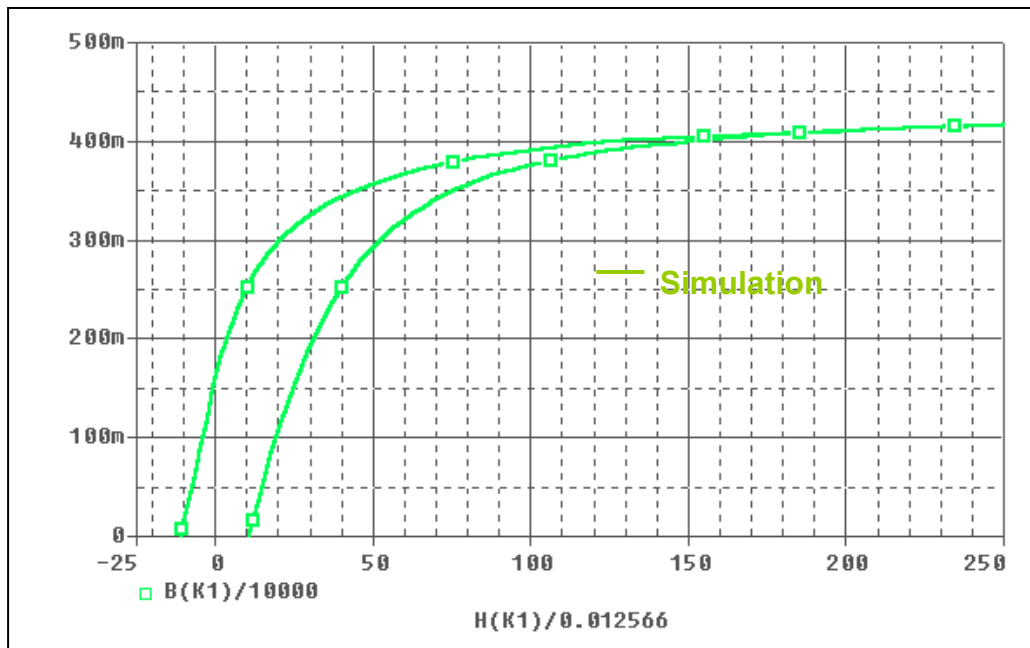
Pspice model parameter	Model description
A	thermal energy parameter
K	domain anisotropy parameter
C	domain flexing parameter
MS	magnetization saturation

Hysteresis Curve Characteristics

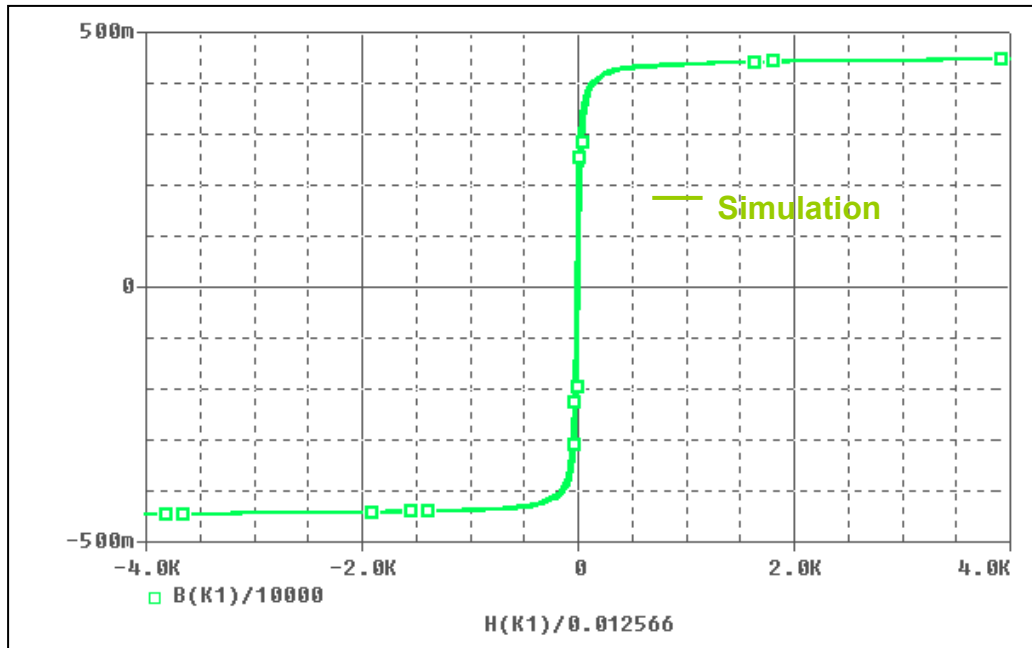
Evaluation Circuit



Simulation result



Simulation result



Comparison Table

H(A/m)	B(mT) Measurement	B(mT) Simulation	%Error
0	150	154.93	3.287
50	350	357.055	2.016
75	375	378.921	1.046
100	398	390.198	1.960
125	405	400.115	1.206
150	410	403.697	1.537
175	415	407.359	1.841
200	415	410.862	0.997
225	415	414.523	0.115
250	415	418.106	0.748
75	350	348.77	0.351
100	375	375.186	0.050
125	397	390.147	1.726
150	405	399.364	1.392
175	415	405.837	2.208
200	415	410.598	1.061
225	415	414.162	0.202
250	415	417.111	0.509