

# Device Modeling Report

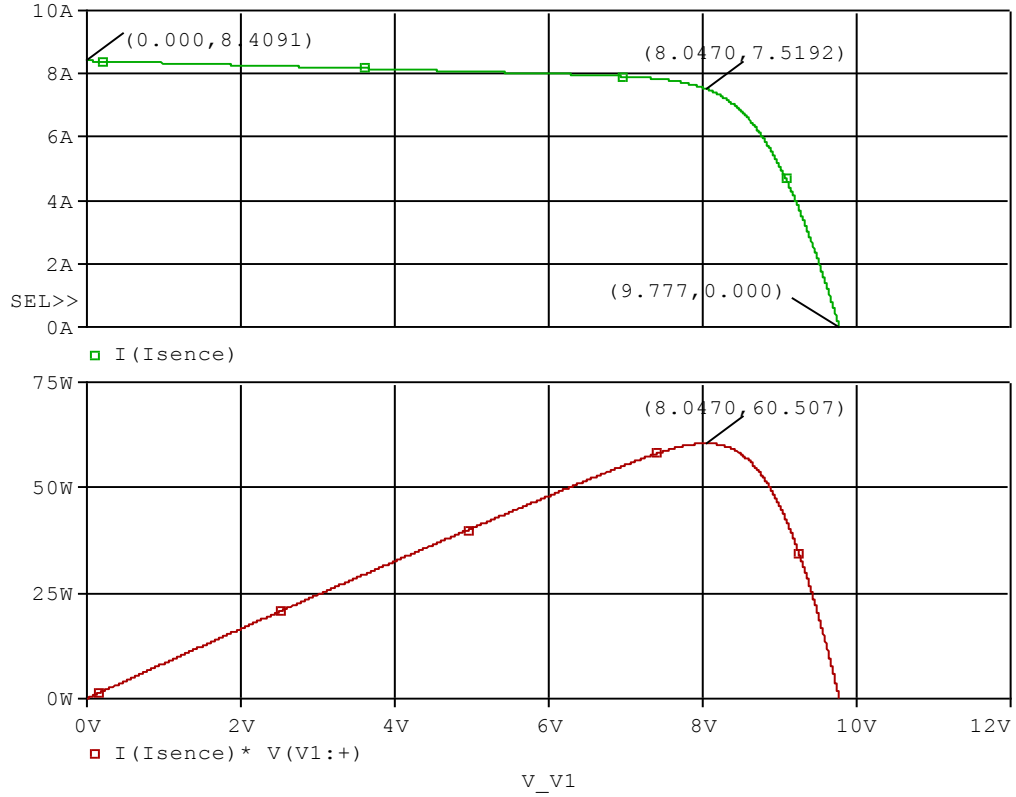
COMPONENTS: Solar Cell  
PART NUMBER: ND-061LV/RV  
MUNUFACTURER: SHARP  
REMARK: Pmax=60.5(W)



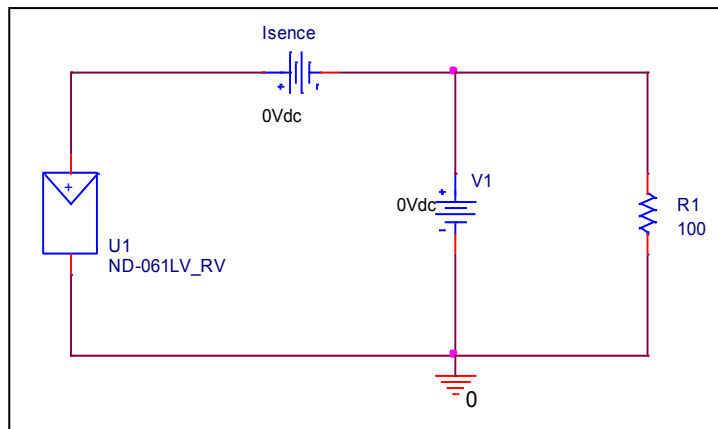
**Bee Technologies Inc.**

# Output Characteristic

## Circuit Simulation Result



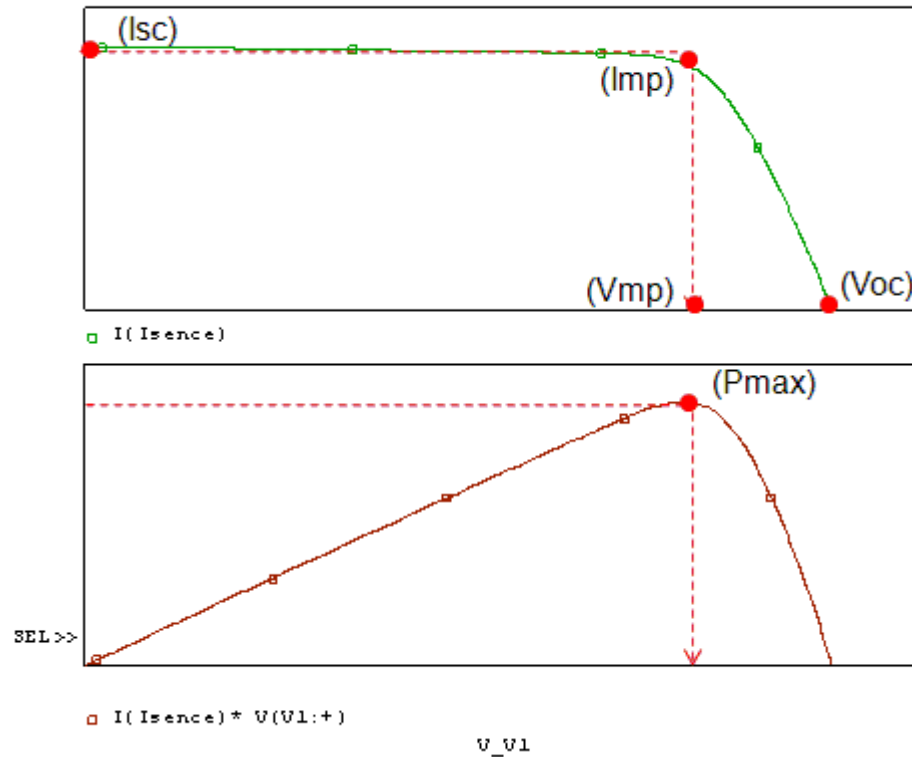
## Simulation Circuit



## Output Characteristic

## Reference

### Circuit Simulation Result



### Data Table

Symbol	Measurement	Simulation	%Error
Pmax	60.5000	60.5070	0.0116
Vmp	8.0500	8.0470	-0.0373
Imp	7.5200	7.5192	-0.0106
Voc	9.8000	9.7770	-0.2347
Isc	8.4200	8.4091	-0.1295

## Data Information

---

No. ND-061LV/RV	
Maximum output (Pmax)	60.5000
Maximum power voltage (Vmp)	8.0500
Maximum power current (Imp)	7.5200
Open circuit voltage (Voc)	9.8000
Short circuit current (Isc)	8.4200