

# Device Modeling Report

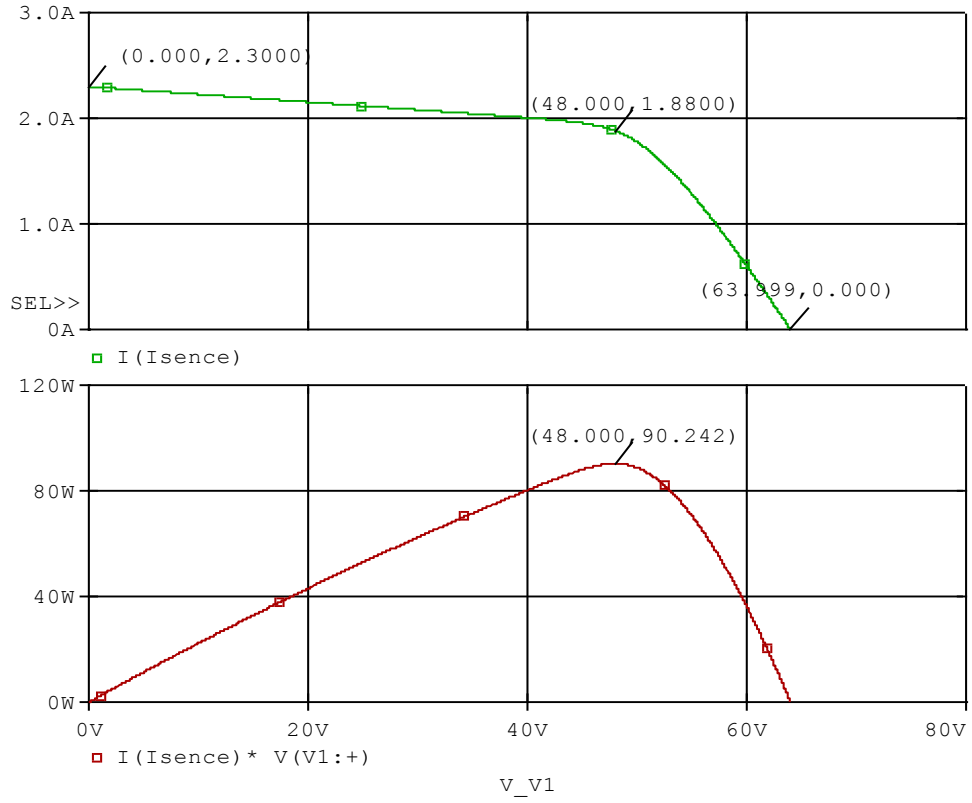
COMPONENTS: Solar Cell  
PART NUMBER: NA-H090B4  
MANUFACTURER: SHARP  
REMARK: Pmax=90(W)



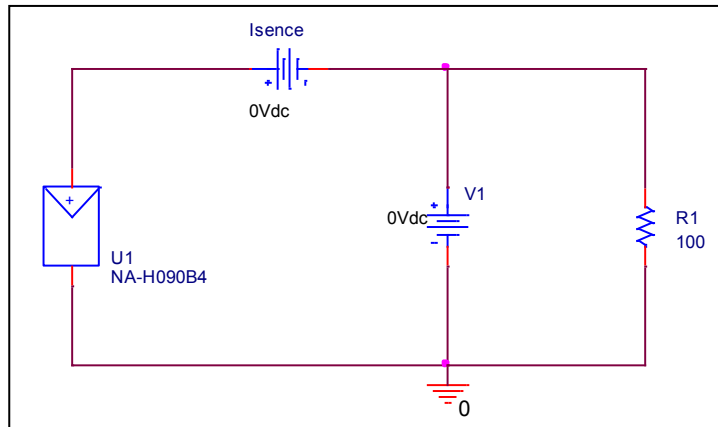
**Bee Technologies Inc.**

# Output Characteristic

## Circuit Simulation Result



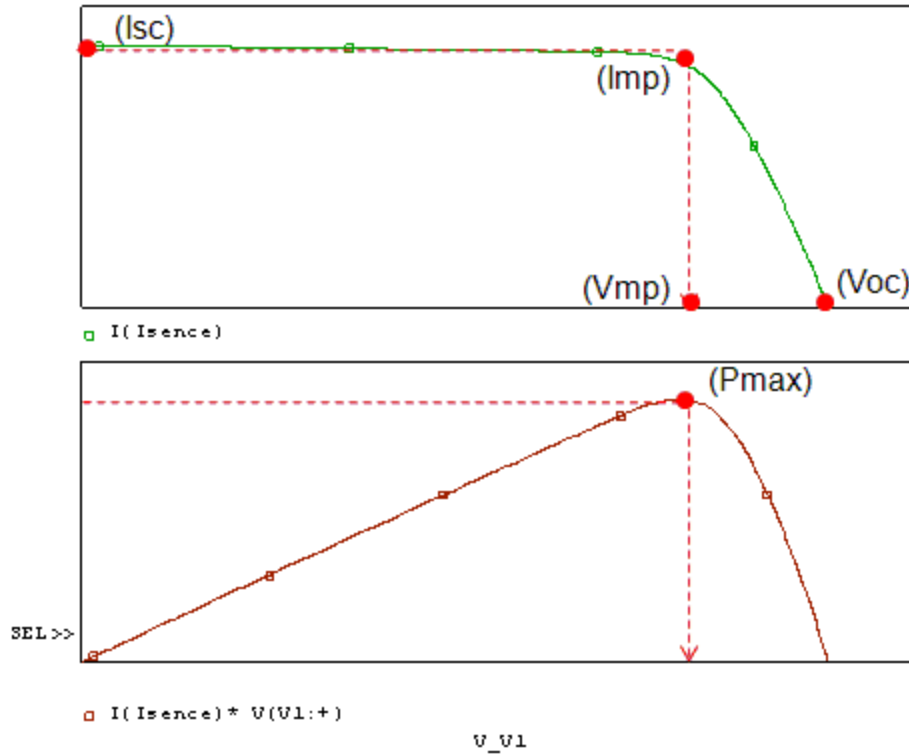
## Simulation Circuit



## Output Characteristic

## Reference

### Circuit Simulation Result



### Data Table

Symbol		Measurement	Simulation	%Error
Pmax	W	90.000	90.242	0.269
Vmp	V	48.000	48.000	0.000
Imp	A	1.880	1.880	0.000
Voc	V	64.000	63.999	-0.002
Isc	A	2.300	2.300	0.000

## Data Information

---

No. NA-H090B4	
Maximum output (Pmax)	90W
Maximum power voltage (Vmp)	48.0V
Maximum power current (Imp)	1.88A
Open circuit voltage (Voc)	64.0V
Short circuit current (Isc)	2.30A