

Device Modeling Report

COMPONENTS:MAGNETIC CORE
PART NUMBER:3C91
MANUFACTURER:FERROXCUBE



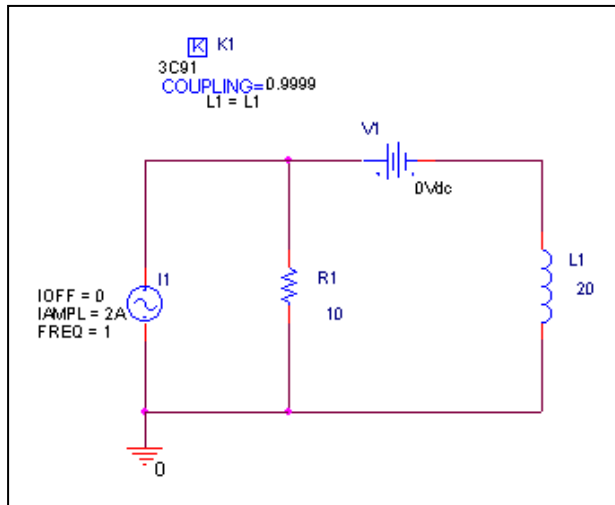
Bee Technologies Inc.

MAGNETIC CORE

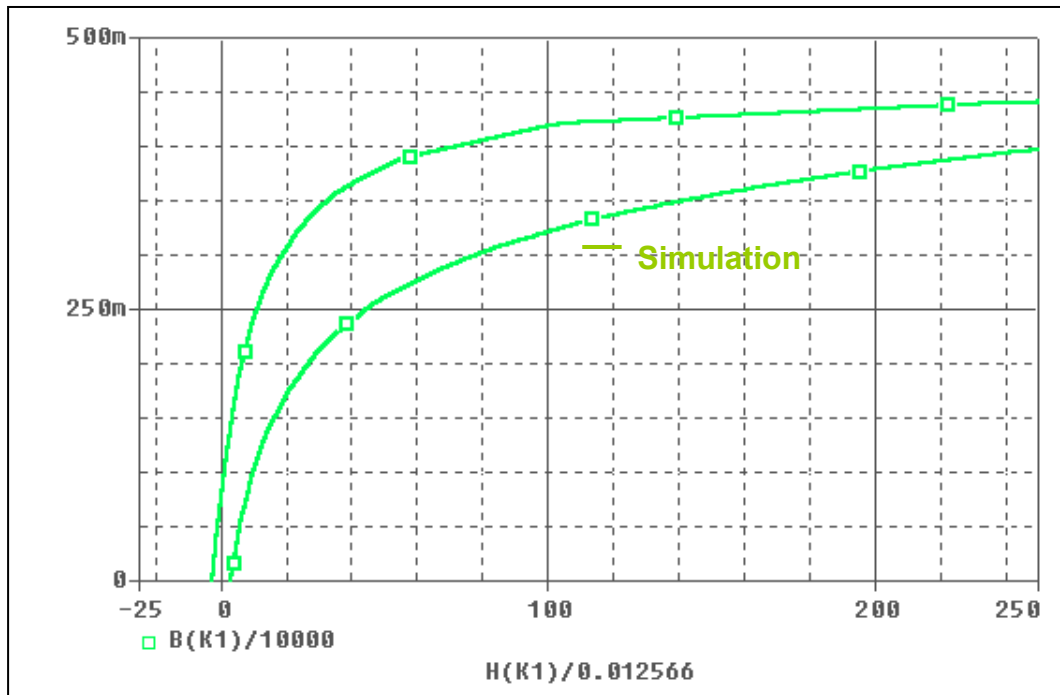
Pspice model parameter	Model description
A	thermal energy parameter
K	domain anisotropy parameter
C	domain flexing parameter
MS	magnetization saturation

Hysteresis Curve Characteristics

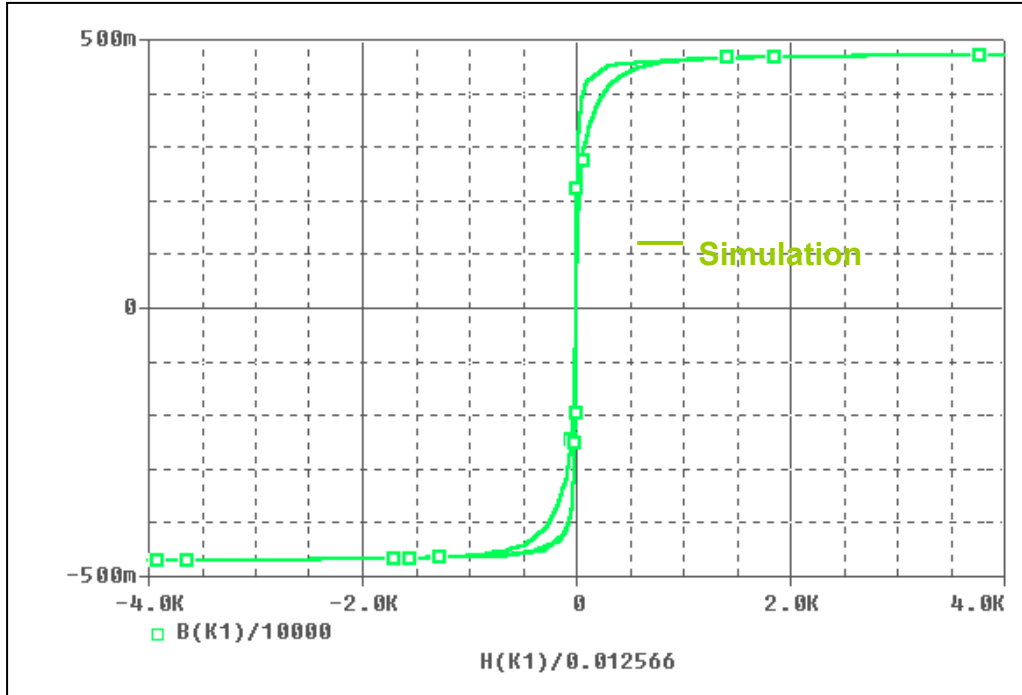
Evaluation Circuit



Simulation result



Simulation result



Comparison Table

H(A/m)	B(mT) Measurement	B(mT) Simulation	%Error
13	248	259.053	4.457
25	315	306.828	2.594
50	395	358.315	9.287
100	425	408.372	3.912
150	440	417.994	5.001
200	445	427.615	3.907
250	445	437.137	1.767
100	352	320.495	8.950
150	360	354.956	1.401
200	385	378.997	1.559
250	385	396.706	3.041