

Device Modeling Report

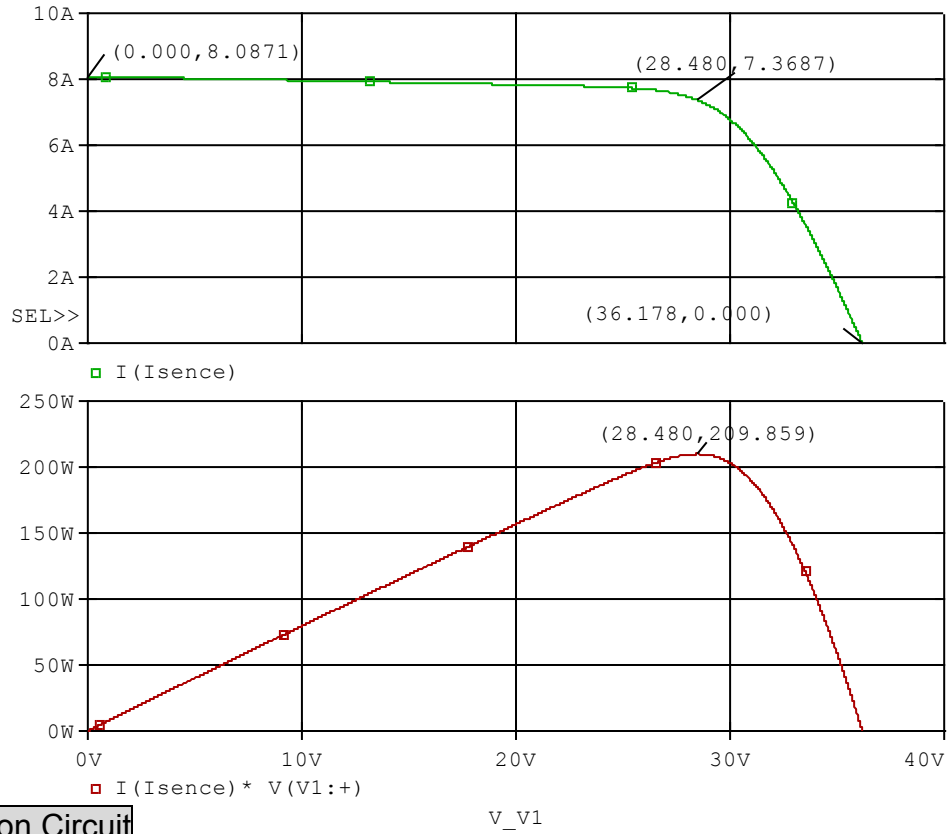
COMPONENTS: Solar Cell
PART NUMBER: ND-V0L7H
MANUFACTURER: SHARP
REMARK: Pmax=210(W)



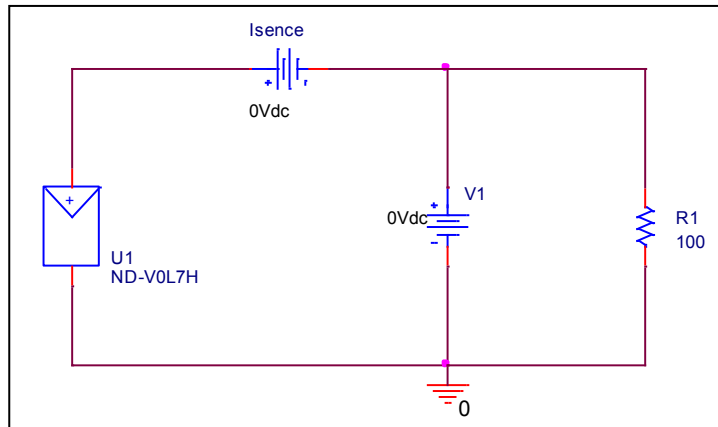
Bee Technologies Inc.

Output Characteristic

Circuit Simulation Result



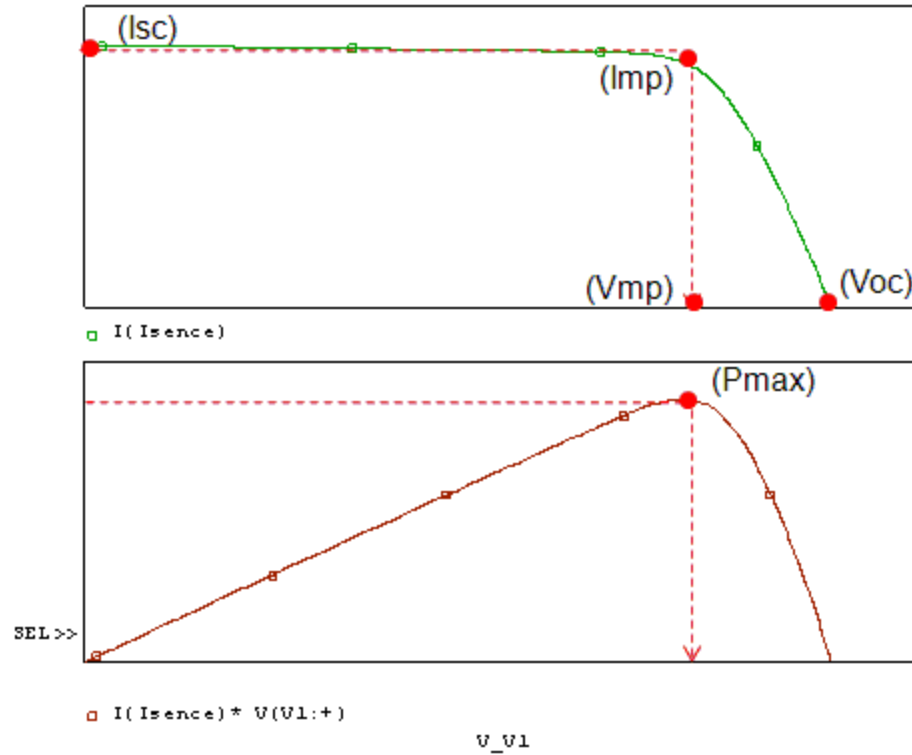
Simulation Circuit



Output Characteristic

Reference

Circuit Simulation Result



Data Table

Symbol		Measurement	Simulation	%Error
Pmax	W	210.000	209.859	-0.067
Vmp	V	28.500	28.480	-0.070
Imp	A	7.370	7.369	-0.018
Voc	V	36.200	36.178	-0.061
Isc	A	8.100	8.087	-0.159

Data Information

No. ND-V0L7H	
Maximum output (Pmax)	210W
Maximum power voltage (Vmp)	28.50V
Maximum power current (Imp)	7.37A
Open circuit voltage (Voc)	36.20V
Short circuit current (Isc)	8.10A