

Device Modeling Report

COMPONENTS:MAGNETIC CORE
PART NUMBER:3C94
MANUFACTURER:FERROXCUBE



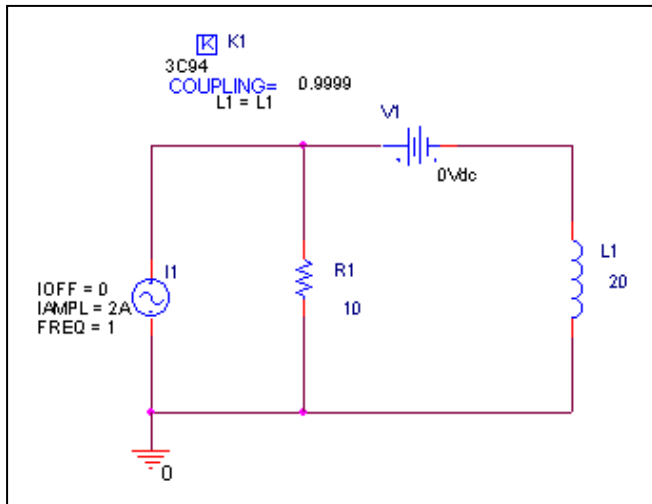
Bee Technologies Inc.

MAGNETIC CORE

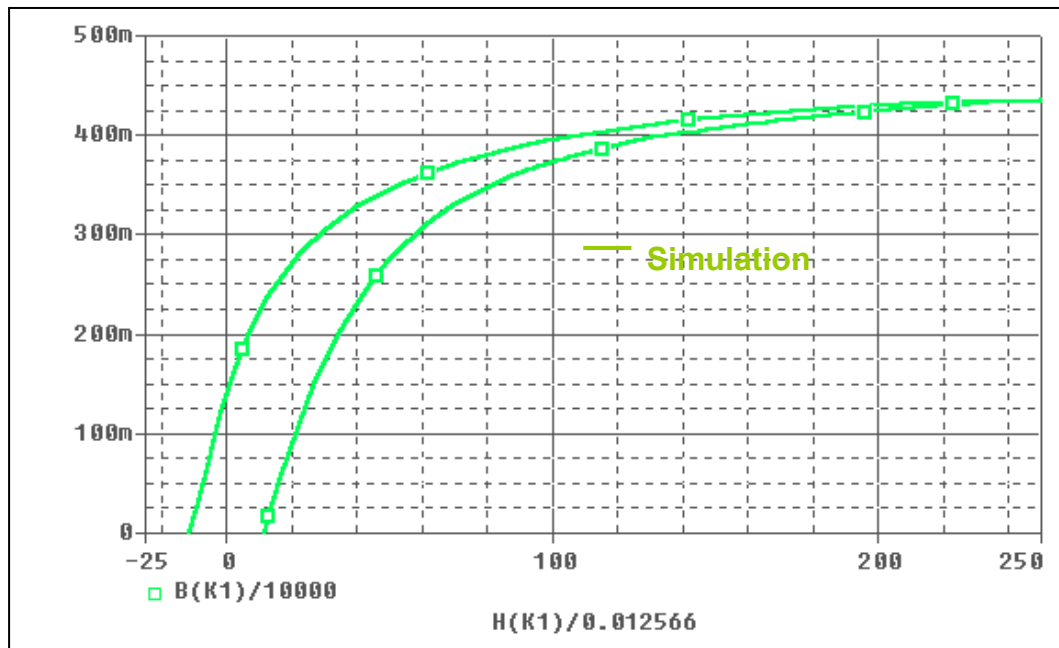
Pspice model parameter	Model description
A	thermal energy parameter
K	domain anisotropy parameter
C	domain flexing parameter
MS	magnetization saturation

Hysteresis Curve Characteristics

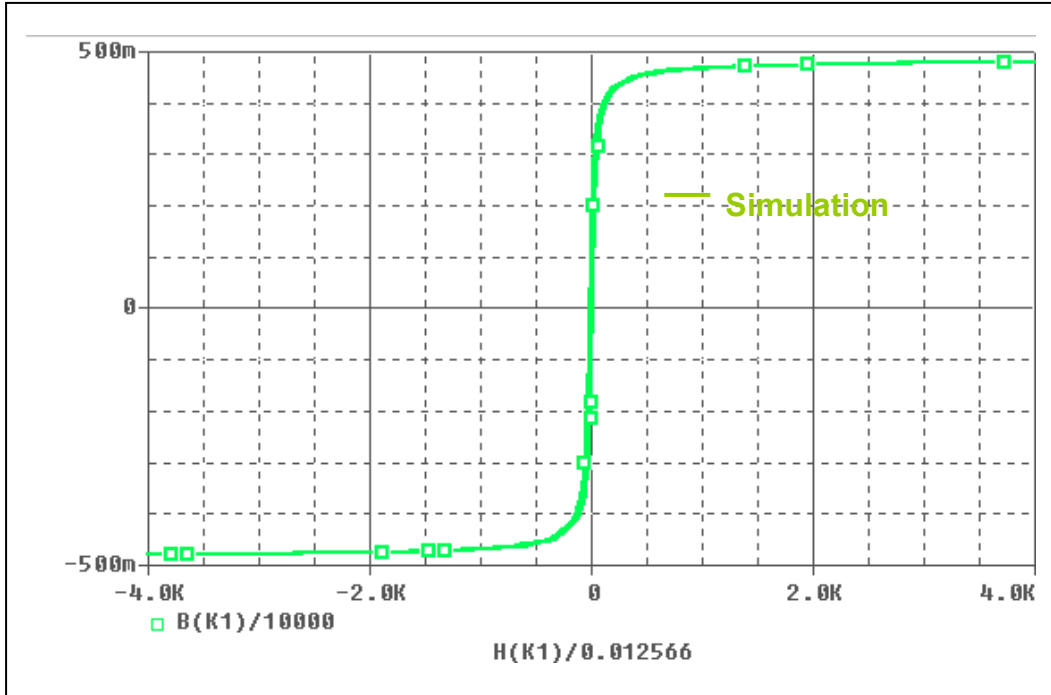
Evaluation Circuit



Simulation result



Simulation result



Comparison Table

H(A/m)	B(mT) Measurement	B(mT) Simulation	%Error
25	285	288.36	1.179
50	350	345.815	1.196
75	385	375.894	2.365
100	400	394.69	1.328
125	415	407.01	1.925
150	425	417.173	1.842
200	435	430.488	1.037
250	435	435.482	0.111
75	350	338.989	3.146
100	375	373.156	0.492
125	400	393.713	1.572
150	410	407.049	0.720
200	435	424.253	2.471
250	435	434.584	0.096