

Device Modeling Report

COMPONENTS:MAGNETIC CORE
PART NUMBER:3D3
MANUFACTURER:FERROXCUBE



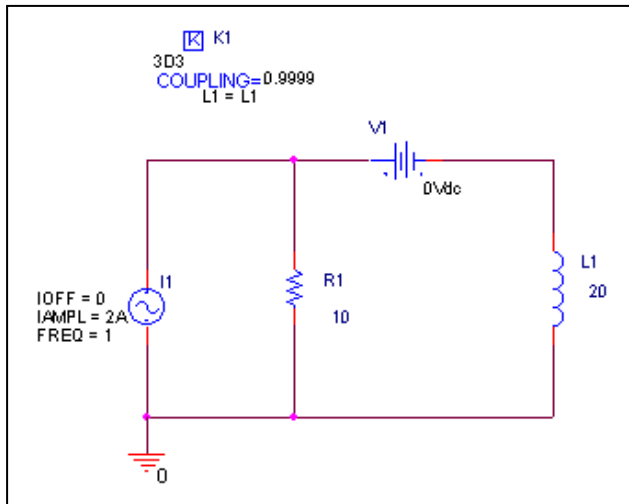
Bee Technologies Inc.

MAGNETIC CORE

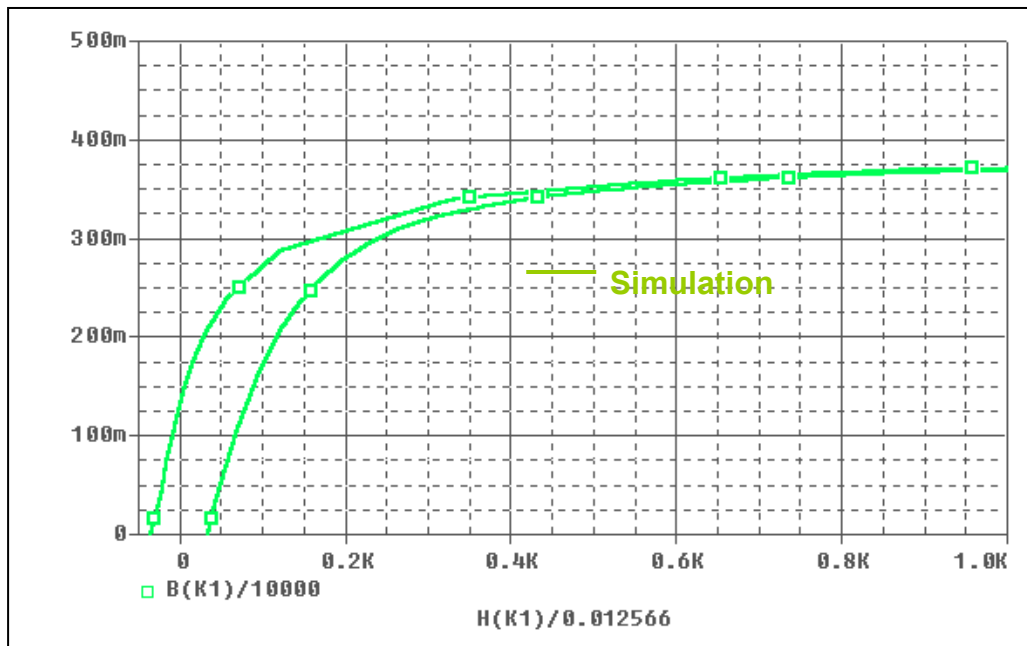
Pspice model parameter	Model description
A	thermal energy parameter
K	domain anisotropy parameter
C	domain flexing parameter
MS	magnetization saturation

Hysteresis Curve Characteristics

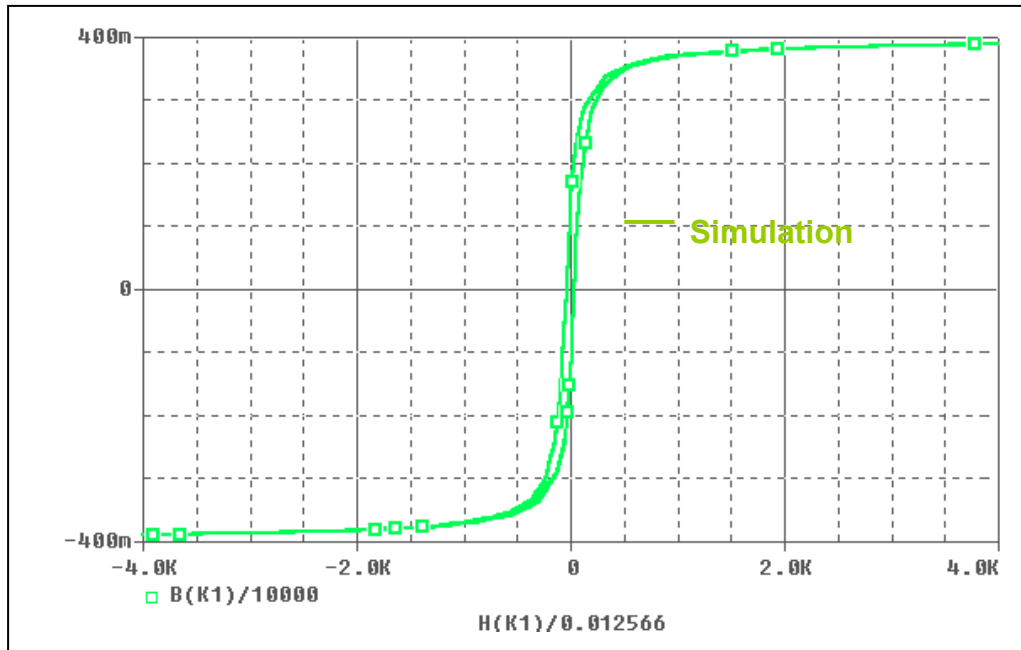
Evaluation Circuit



Simulation result



Simulation result



Comparison Table

H(A/m)	B(mT) Measurement	B(mT) Simulation	%Error
50	225	231.343	2.819
100	260	271.437	4.399
180	310	301.695	2.679
260	335	321.553	4.014
340	348	339.712	2.382
420	352	345.917	1.728
500	360	352.029	2.214
600	362	358.919	0.851
700	365	362.548	0.672
800	370	366.134	1.045
1000	370	370.814	0.220
180	260	266.329	2.434
260	305	307.099	0.688
340	335	327.051	2.373
420	348	339.432	2.462
500	350	347.317	0.767
600	360	354.358	1.567
700	363	359.897	0.855
800	370	363.35	1.797
1000	370	369.172	0.224