

Device Modeling Report

COMPONENTS:MAGNETIC CORE
PART NUMBER:3F5
MANUFACTURER:FERROXCUBE



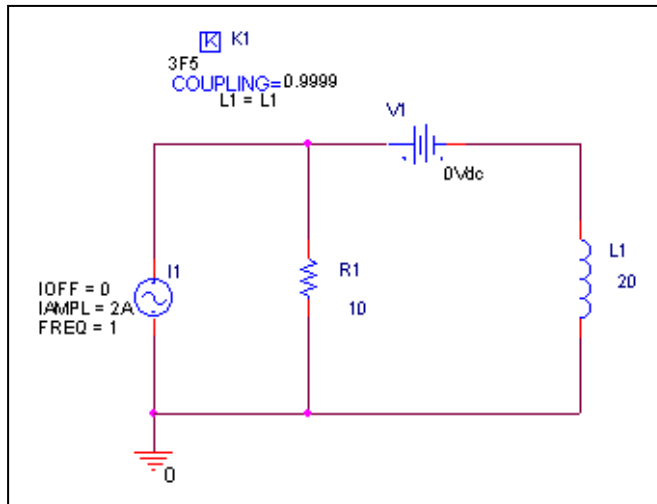
Bee Technologies Inc.

MAGNETIC CORE

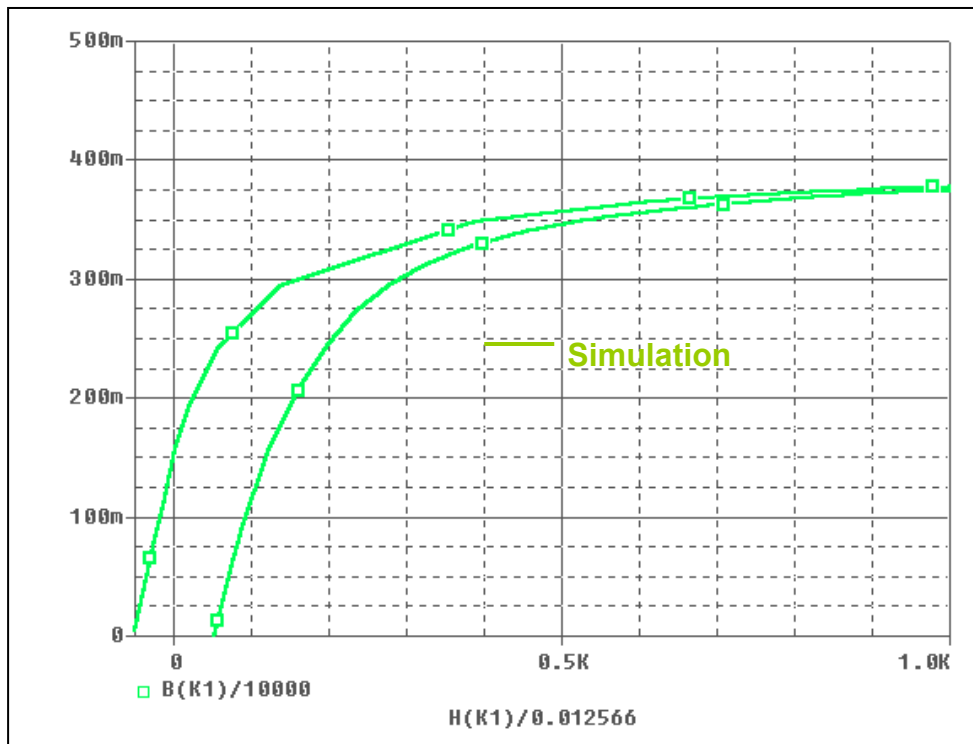
Pspice model parameter	Model description
A	thermal energy parameter
K	domain anisotropy parameter
C	domain flexing parameter
MS	magnetization saturation

Hysteresis Curve Characteristics

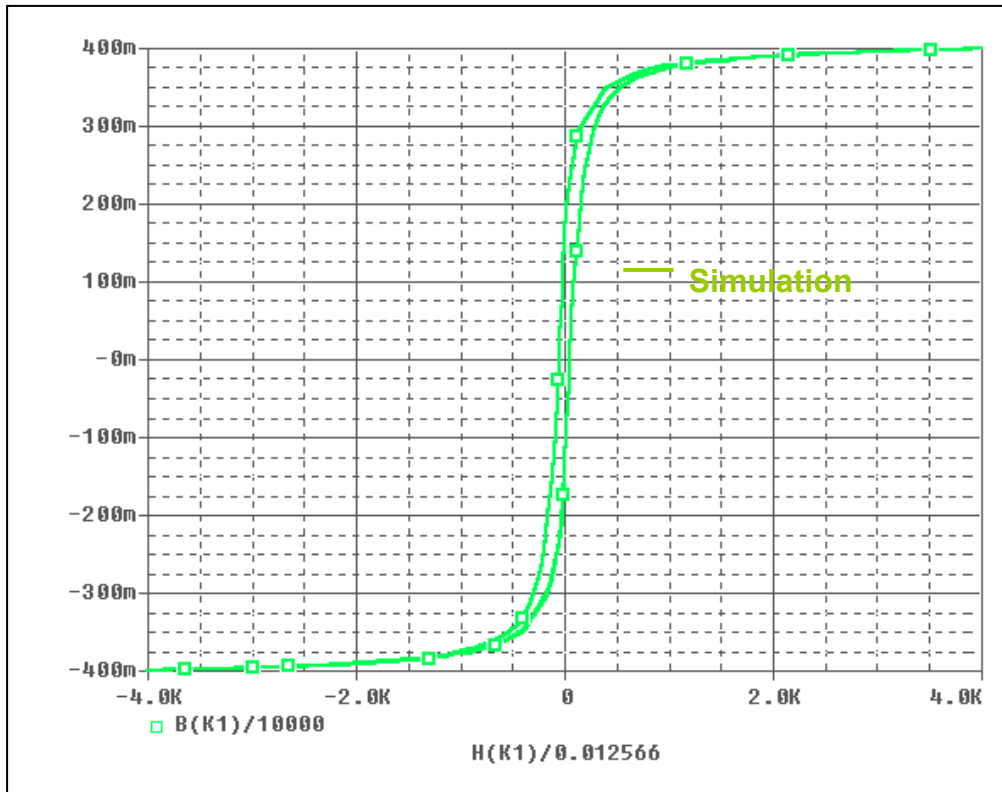
Evaluation Circuit



Simulation result



Simulation result



Comparison Table

H(A/m)	B(mT) Measurement	B(mT) Simulation	%Error
0	150	151.989	1.326
50	230	232.955	1.285
100	260	269.779	3.761
260	340	320.538	5.724
420	360	356.337	1.018
500	365	356.004	2.465
580	370	361.829	2.208
740	375	369.763	1.397
1000	380	378.544	0.383
100	110	113.636	3.305
260	295	285.617	3.181
420	345	334.208	3.128
500	350	345.515	1.281
580	355	353.774	0.345
740	370	364.343	1.529
1000	380	374.544	1.436