

# Device Modeling Report

COMPONENTS:MAGNETIC CORE  
PART NUMBER:4C65  
MANUFACTURER:FERROXCUBE



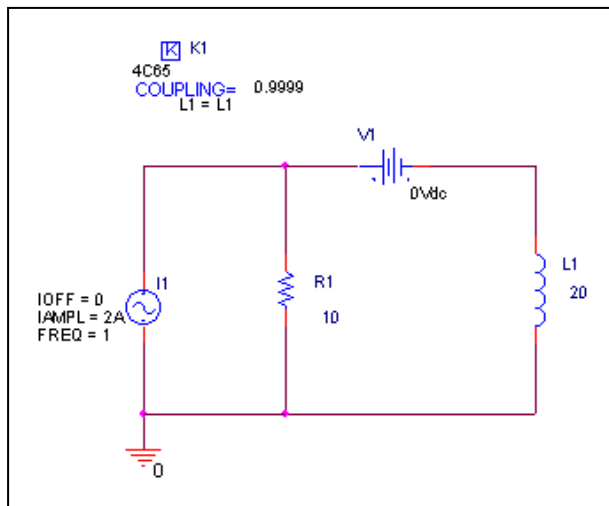
**Bee Technologies Inc.**

## MAGNETIC CORE

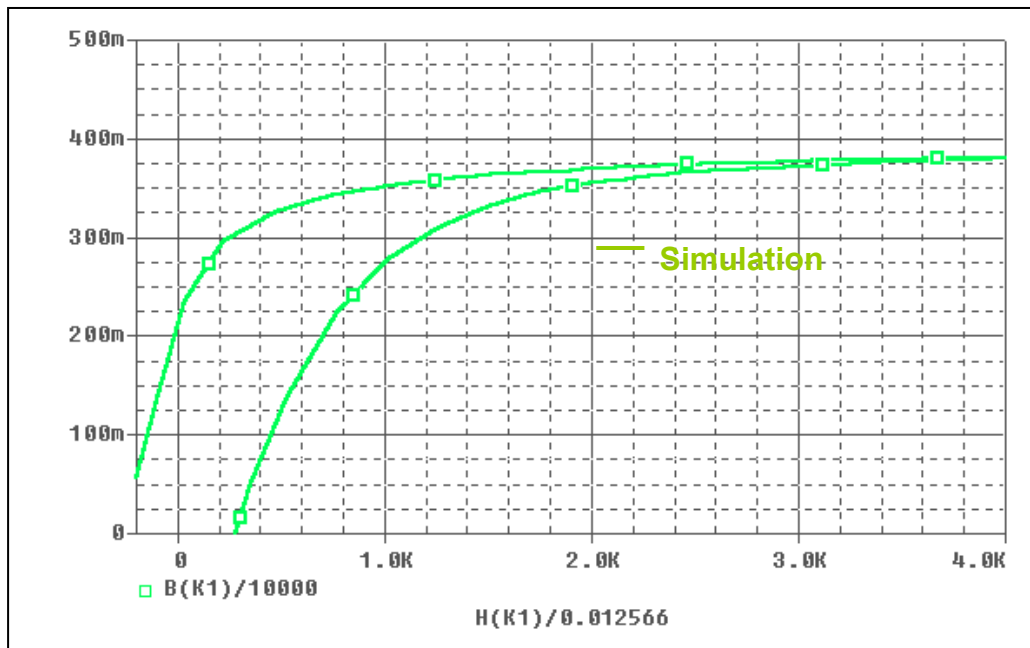
Pspice model parameter	Model description
A	thermal energy parameter
K	domain anisotropy parameter
C	domain flexing parameter
MS	magnetization saturation

# Hysteresis Curve Characteristics

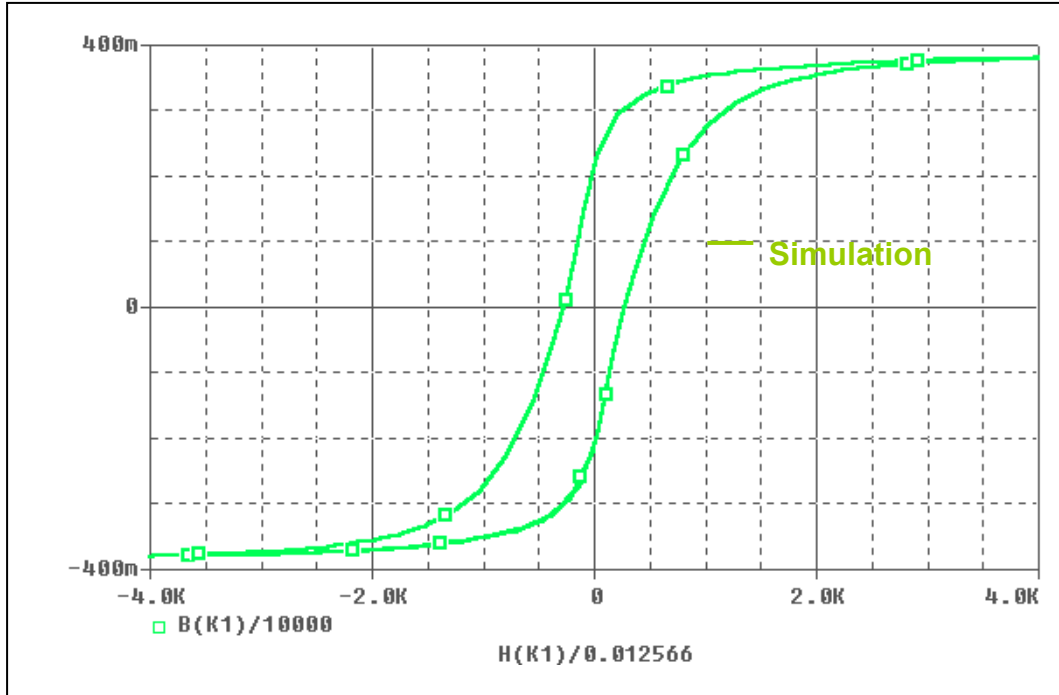
## Evaluation Circuit



## Simulation result



Simulation result



Comparison Table

H(A/m)	B(mT) Measurement	B(mT) Simulation	%Error
400	325	317.521	2.301
720	350	341.723	2.365
1040	354	353.01	0.280
1360	360	360.574	0.159
1680	365	365.84	0.230
2000	370	369.67	0.089
2400	375	373.408	0.425
2800	378	376.236	0.467
3200	380	378.331	0.439
4000	380	380.055	0.014
1360	335	319.374	4.664
1680	350	341.709	2.369
2000	355	354.712	0.081
2400	360	364.528	1.258
2800	373	370.419	0.692
3200	380	374.567	1.430
4000	380	380.056	0.015