

Device Modeling Report

COMPONENTS:MAGNETIC CORE
PART NUMBER:4S2
MANUFACTURER:FERROXCUBE



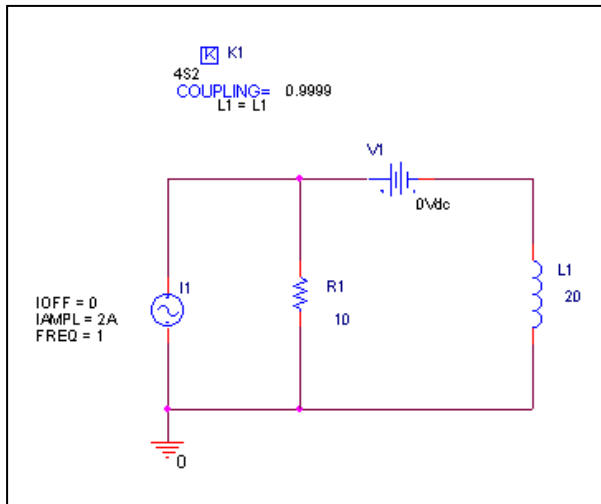
Bee Technologies Inc.

MAGNETIC CORE

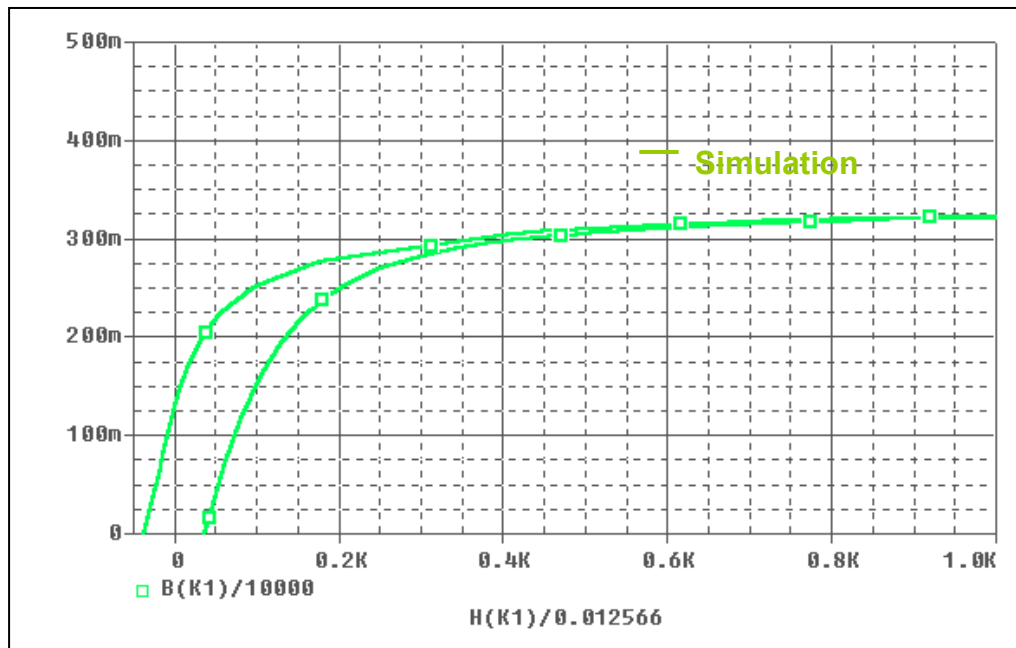
Pspice model parameter	Model description
A	thermal energy parameter
K	domain anisotropy parameter
C	domain flexing parameter
MS	magnetization saturation

Hysteresis Curve Characteristics

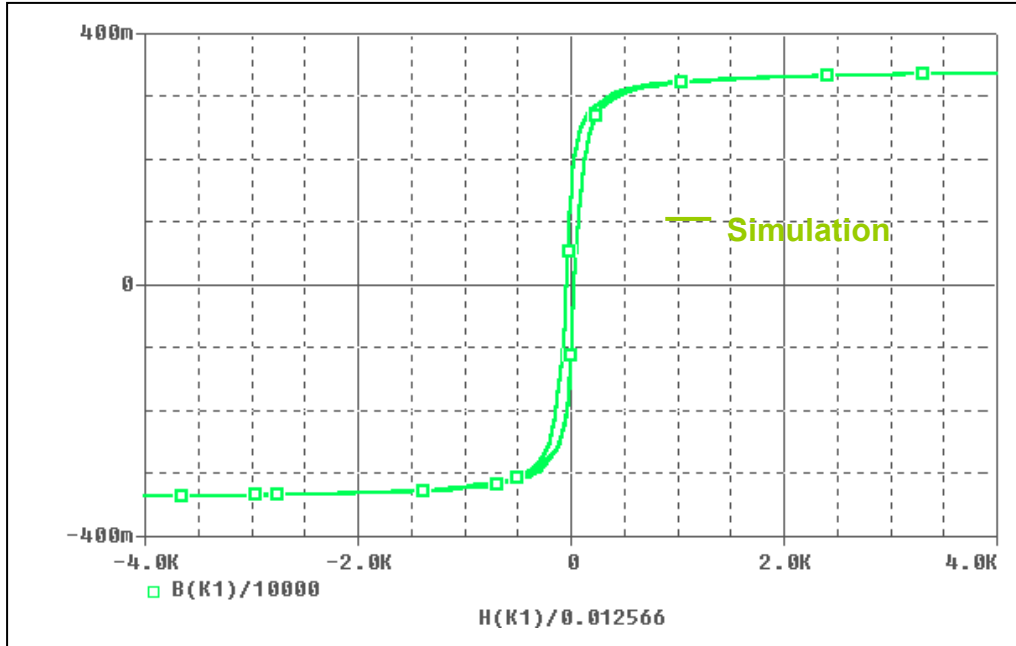
Evaluation Circuit



Simulation result



Simulation result



Comparison Table

H(A/m)	B(mT) Measurement	B(mT) Simulation	%Error
100	245	250.817	2.374
180	275	277.606	0.948
260	290	287.034	1.023
340	300	296.461	1.180
420	305	305.889	0.291
500	310	309.626	0.121
600	315	313.647	0.430
700	320	317.264	0.855
800	325	319.409	1.720
1000	325	322.966	0.626
180	250	238.709	4.516
260	270	272.116	0.784
340	289	289.384	0.133
420	298	298.931	0.312
500	305	305.421	0.138
600	312	310.736	0.405
700	320	314.413	1.746
800	325	317.565	2.288
1000	325	321.647	1.032