

Device Modeling Report

COMPONENTS:MAGNETIC CORE
PART NUMBER:H5A
MANUFACTURER:TDK



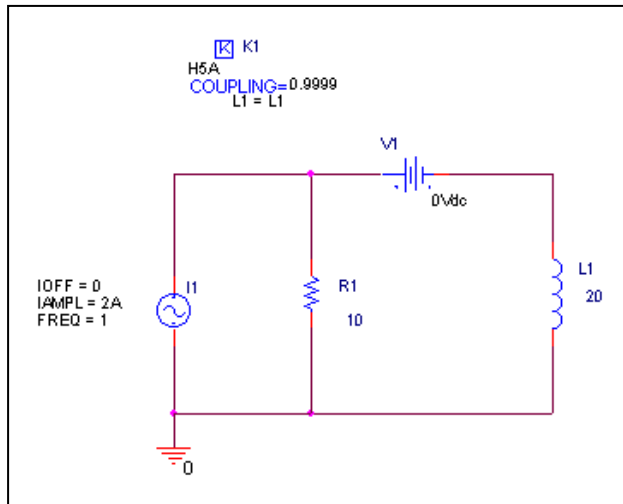
Bee Technologies Inc.

MAGNETIC CORE

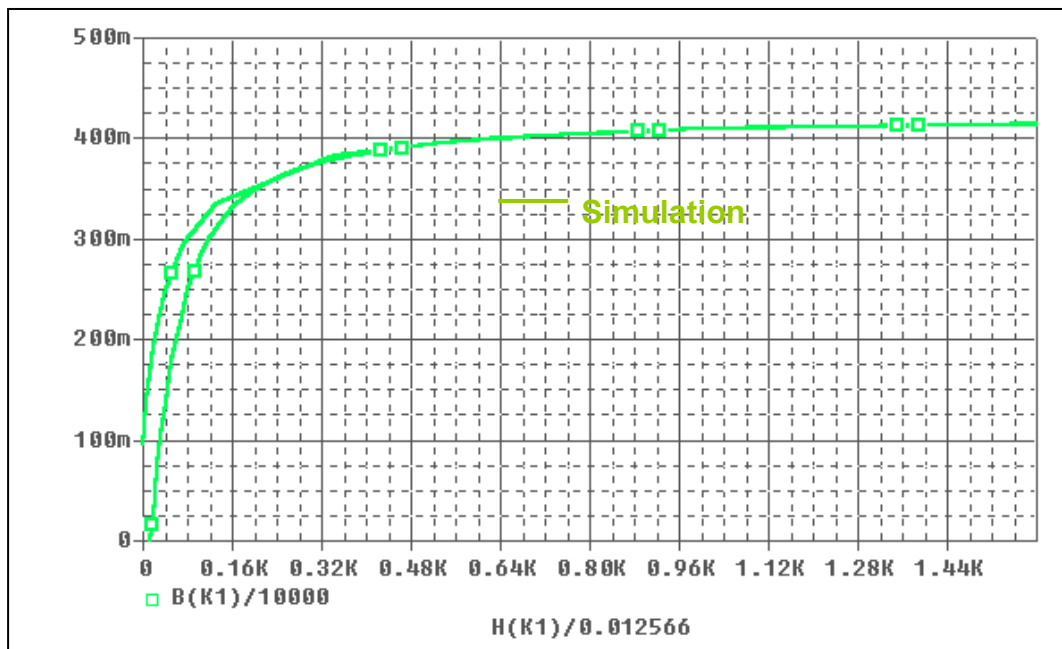
Pspice model parameter	Model description
A	thermal energy parameter
K	domain anisotropy parameter
C	domain flexing parameter
MS	magnetization saturation

Hysteresis Curve Characteristics

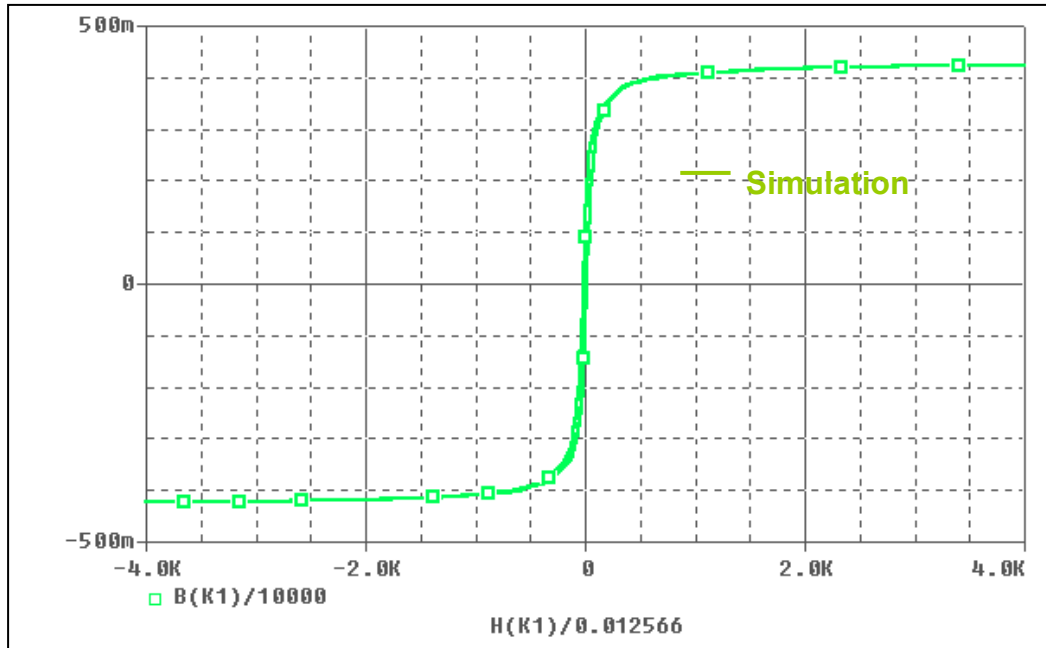
Evaluation Circuit



Simulation result



Simulation result



Comparison Table

H(A/m)	B(mT) Measurement	B(mT) Simulation	%Error
300	375	392.027	4.541
400	390	400.61	2.721
500	400	405.29	1.323
600	402	408.491	1.615
700	405	411.021	1.487
800	410	412.87	0.700
900	415	414.36	0.154
1000	418	415.644	0.564
300	370	391.431	5.792
400	390	399.55	2.449
500	400	404.269	1.067
600	402	407.998	1.492
700	405	410.58	1.378
800	410	412.5	0.610
900	415	414.121	0.212
1000	418	415.439	0.613