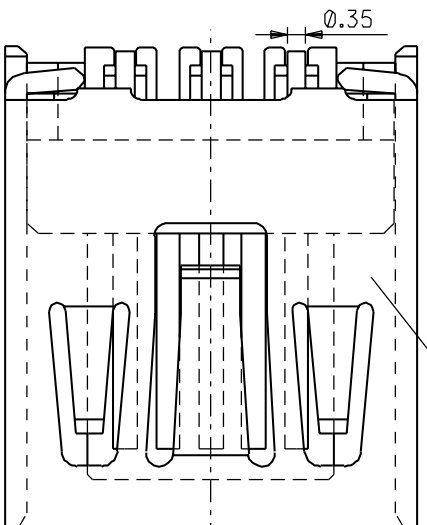
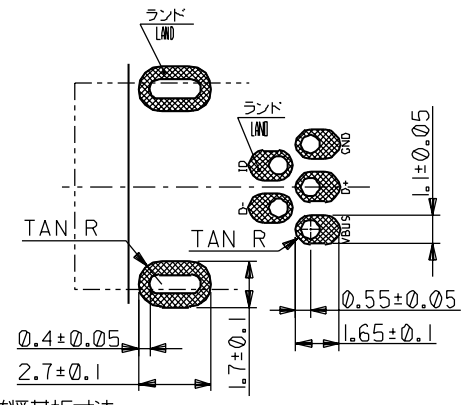
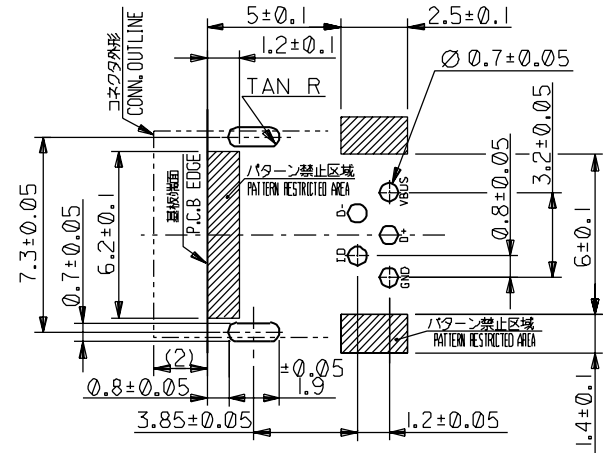


コネクタ実装側 (CONNECTOR MOUNT SIDE)

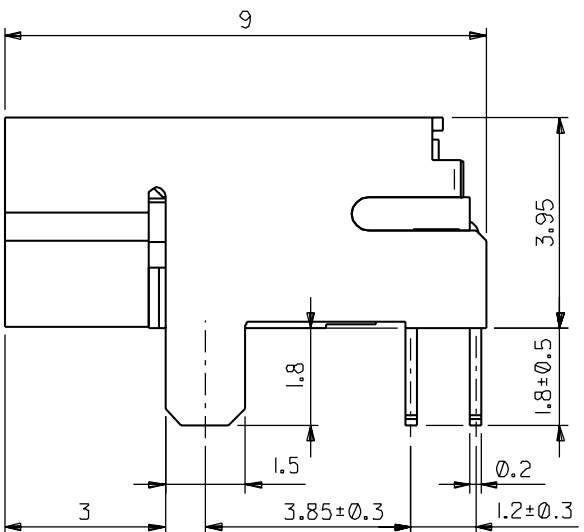
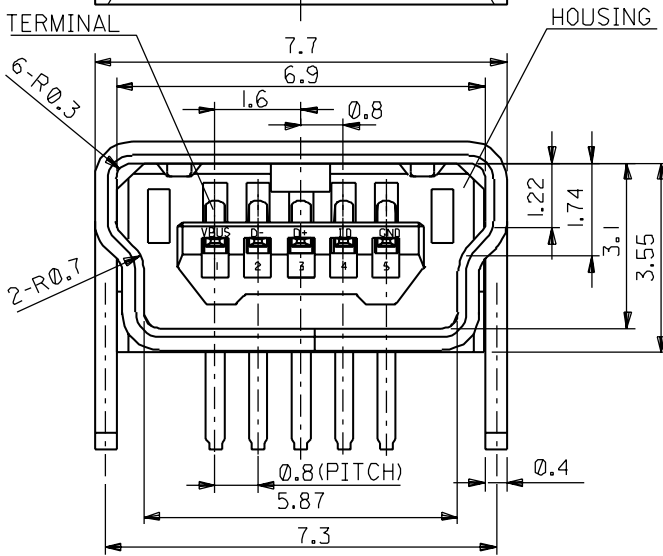
逆側 (REVERSE SIDE)



SHIELD CASE



推奨基板寸法  
RECOMMENDED P.C.B. PATTERN LAYOUT



注記 1. 材質  
NOTES MATERIAL

ハウジング: ポリフタルアミド ガラス充填, 黒色, UL 94V-0  
 HOUSING: POLYPHTHAL AMIDE GLASS FILLED, BLACK, UL 94V-0  
 ターミナル: 銅合金 (t=0.2)  
 TERMINAL: COPPER ALLOY (t=0.2)  
 シールド ケース: 銅合金 (t=0.4)  
 SHIELD CASE: COPPER ALLOY (t=0.4)

2. メッキ仕様  
PLATING

ターミナル  
TERMINAL  
 接点部: 金メッキ 0.75μm MIN.  
 CONTACT AREA: GOLD 0.75MICRO METER MIN.  
 半田付け部: 半田メッキ 3.8μm MIN.  
 SOLDER TAIL AREA: TIN-LEAD 3.8MICRO METER MIN.  
 下地部: ニッケルメッキ 1.25μm MIN.  
 UNDER PLATING: NICKEL 1.25MICRO METER MIN.  
 シールド ケース  
SHIELD CASE  
 半田メッキ 2.5μm MIN.  
 TIN-LEAD 2.5MICRO METER MIN.  
 下地部: ニッケルメッキ 1μm MIN.  
 UNDER PLATING: NICKEL 1MICRO METER MIN.

DO NOT SCALE DRAWING

004NO. DRWN: CHK: APPR:	003NO. DRWN: CHK: APPR:	REVISED 002NO. J2002-0793 DRWN:K.TAKAHASHI '01/10/04 CHK: T.HIRATA '01/10/04 APPR: MSASAO '01/10/04	REVISED 001NO. JD2001-0190 DRWN:K.TAKAHASHI '00/08/02 CHK: MSASAO '00/08/02 APPR: HIKESUGI '00/08/02	RELEASED 000NO. JD2000-1241 DRWN:K.TAKAHASHI '00/06/26 CHK: MSASAO '00/06/26 APPR: HIKESUGI '00/06/26	MATERIAL 材料 SEE NOTES
FINISH 仕上り SEE NOTES					
WIRE RANGE 適用線径範囲 —					
INS. RANGE 保護外径 —					

GENERAL TOLERANCES: (UNLESS SPECIFIED) 一般公差	10 UNDER 未満 ±0.2	10 OVER 以上 ±0.25	30 UNDER 未満 ±0.3	30 OVER 以上 ±0.3	ANGLE 角度 ±3°
---	------------------------	------------------------	------------------------	-----------------------	-----------------

SCALE 10 - 1 mm INCH	DESIGN UNITS mm INCH	DIMENSIONS: mm INCH mm ONLY	SHT 2	REV 01
DRAWN BY & DATE R. Takahashi 00/5/17		TITLE: USB SERIES MINI-B RECEPTACLE ASS'Y		
CHECKED BY & DATE H. Sano 00/5/17		MOLEX INCORPORATED		
APPROVED BY & DATE [Signature] 00/5/17		MATERIAL NO. 54819-0511	DRAWING NO. SD-54819-008	SHEET NO. 1 OF 2
THIS DRAWING CONTAINS INFORMATION THAT IS PROPRIETARY TO MOLEX INCORPORATED AND SHOULD NOT BE USED WITHOUT WRITTEN PERMISSION.				

DWG. NO. SD-54819-008

F

D

V

C

B

DO NOT SCALE DRAWING

8 7 6 5 4 3 2 1

F

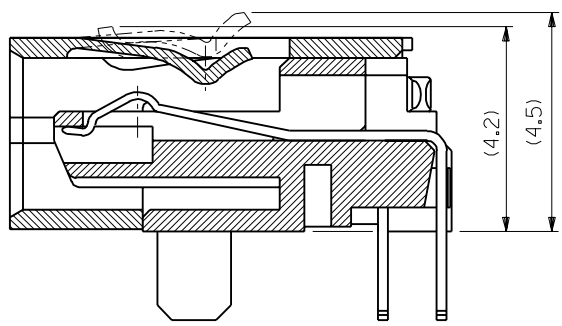
E

D

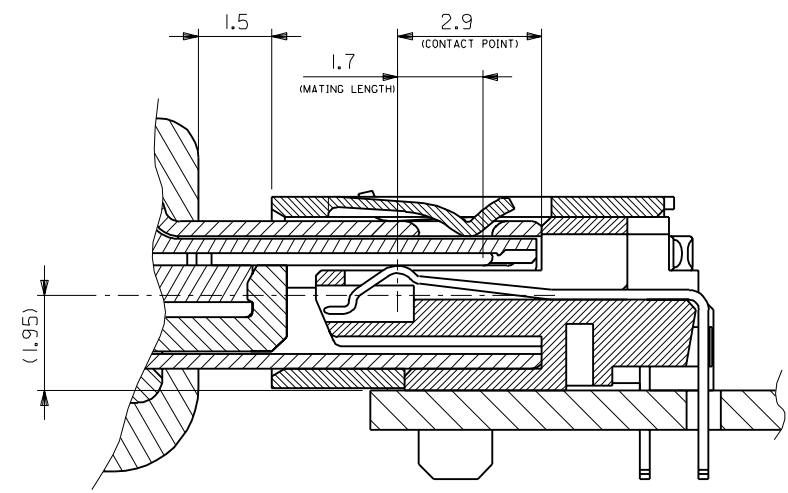
C

B

A



SECTION



MATING

REV	DESCRIPTION	MATERIAL 材料	GENERAL TOLERANCES: (UNLESS SPECIFIED) 一般公差	SCALE 10 - 1	DESIGN UNITS <input checked="" type="checkbox"/> mm <input type="checkbox"/> INCH	DIMENSIONS: <input type="checkbox"/> mm <input type="checkbox"/> INCH <input type="checkbox"/> mm <input checked="" type="checkbox"/> INCH <input type="checkbox"/> mm ONLY	SHT REV	REV	
	SEE SHEET 1	SEE NOTES	10 UNDER 未満	±0.2	DRAWN BY & DATE <i>R. Takahashi</i> 00/5/17				TITLE: USB SERIES MINI-B RECEPTACLE ASS'Y
		FINISH 仕上り	SEE NOTES	10 OVER 以上	30 UNDER 未満	±0.25	CHECKED BY & DATE <i>H. Sano</i> 00/5/17		
		WIRE RANGE 適用電線範囲	— # —	30 OVER 以上	±0.3	APPROVED BY & DATE <i>A. Hongo</i> 00/5/17	MATERIAL NO. 54819-0511	DRAWING NO. SD-54819-008	SHEET NO. 2
		INS. RANGE 被覆外径	— # —	ANGLE 角度	±3°	CAD FILENAME SD-54819-008.S02			
MATERIAL: SEE NOTES						<input checked="" type="checkbox"/> THIRD ANGLE PROJECTION MOLEX INCORPORATED		THIS DRAWING CONTAINS INFORMATION THAT IS PROPRIETARY TO MOLEX INCORPORATED AND SHOULD NOT BE USED WITHOUT WRITTEN PERMISSION.	